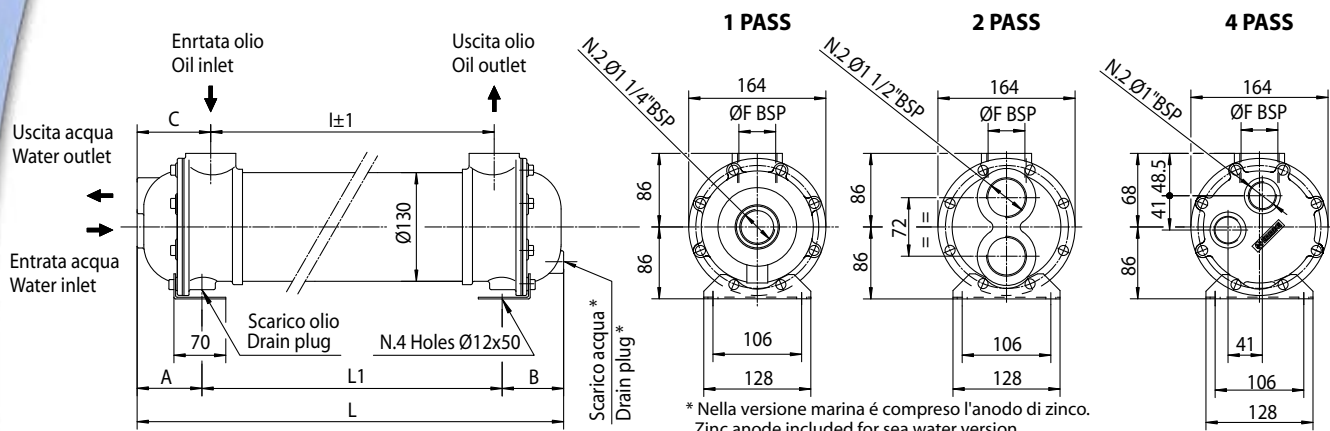


Scambiatori acqua-olio serie MG131

Water-oil heat exchangers series MG131

Con circuito acqua ispezionabile a uno-due-quattro passaggi. One-two-four ways controllable water circuit



Le dimensioni e le caratteristiche tecniche non sono impegnative. Over-all dimension and technical characteristics are not binding.

TIPO TYPE	TUBI TUBES	PIASTRA TUBIERA TUBES SHEET	DEFLETTORI BAFFLES	FONDI COVERS	MANTELLO SHELL	GUARNIZIONI SEALS
STANDARD	CuDHP	CuZn40	CuZn37	CuZn40	Fe510.2	Rubber-cork
SEA WATER	CuNi10Mn1Fe	CuZn40	CuZn37	CuZn40	Fe510.2	Rubber-cork

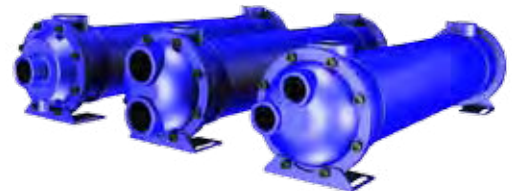
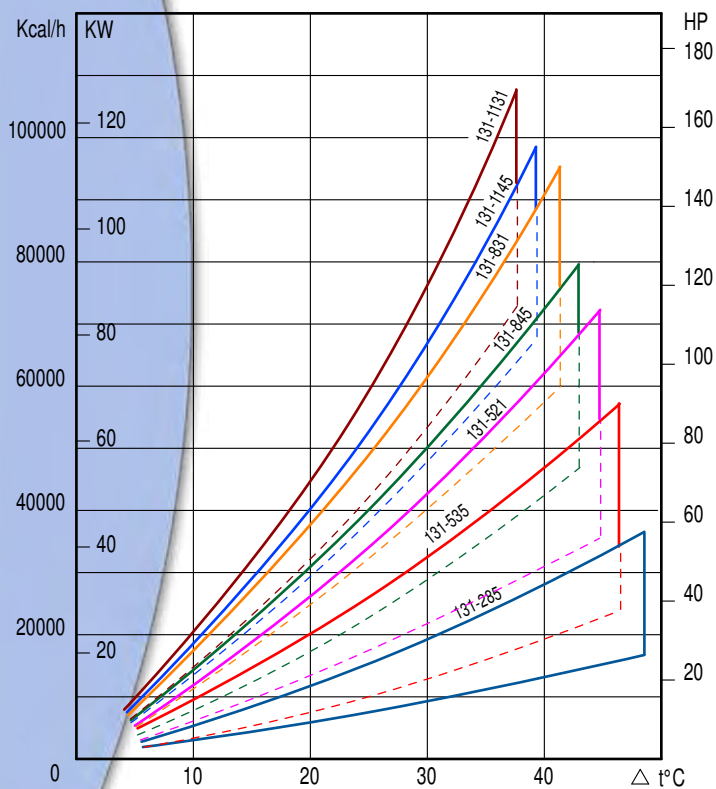
TIPO TYPE	PORTATA OLIO OIL FLOW (lt/min)	HP DISPERSI CON OLIO HP DISSIPATED WITH OIL =55°C H ₂ O=20°C	CAPACITA' CONTENTS (lt)	Kg	Dimensioni - Over all dimension																							
					1 Pass						2 Pass						4 Pass											
					ØF	A	B	C	I	L	L1	ØF	A	B	C	I	L	L1	ØF	A	B	C	I	L	L1			
MG 131-285...	50-140	17-38	2.7	17	1 1/2"	85	85	94	285	473	303	1 1/2"	80	75	89	285	458	303	1 1/2"	80	75	89	285	458	303			
MG 131-535...	80-200	24-63	4.5	23	1 1/2"	85	85	94	535	723	553	1 1/2"	80	75	89	535	708	553	1 1/2"	80	75	89	535	708	553			
MG 131-521...	120-280	40-82	4.6	23	2"	85	85	102	521	725	555	2"	80	75	97	521	710	555	2"	80	75	97	521	710	555			
MG 131-845...	100-250	56-96	6.9	29	1 1/2"	85	85	94	845	1033	863	1 1/2"	80	75	89	845	1018	863	1 1/2"	80	75	89	845	1018	863			
MG 131-831...	160-400	77-120	7	29	2"	85	85	102	831	1036	866	2"	80	75	97	831	1020	865	2"	80	75	97	831	1020	865			
MG 131-1145...	120-280	85-132	8	36	1 1/2"	85	85	94	1145	1333	1163	1 1/2"	80	75	89	1145	1318	1163	1 1/2"	80	75	89	1145	1318	1163			
MG 131-1131...	160-420	102-153	8.1	36	2"	85	85	102	1131	1335	1165	2"	80	75	97	1131	1320	1165	2"	80	75	97	1131	1320	1165			

DIAGRAMMA RENDIMENTO

Alla portata massima e minima indicata in tabella

PERFORMANCE DIAGRAM

At the maximum and minimum flow stated in schedule



FATTORE DI CORREZIONE (F)-PERDITE DI CARICO CORRECTION FACTOR (F)-PRESSURE DROP

CST	10	15	20	30	40	50	60	80	100	200	300
F	0.5	0.65	0.77	1	1.2	1.4	1.6	1.9	2.1	3.3	4.3

PERDITE DI CARICO (32 cst) PRESSURE DROP (32 cst)

