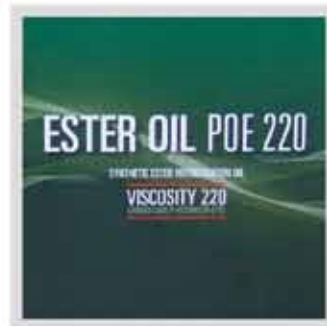




**Parts and commodities for heating
and air conditioning**

C a t a l o g
2013



COMPRESSORS

DANFOSS COMPRESSORS	6
DANFOSS MODEL DESIGNATION	7
DANFOSS COMPRESSORS TECHNICAL DATAS	8
DANFOSS R410A HERMETICS COMPRESSORS	14
DANFOSS R407C HERMETICS COMPRESSORS	15
DANFOSS R22 HERMETICS COMPRESSORS	16
DANFOSS COMPRESSORS SPARE PARTS.....	17
COPELAND MODEL DESIGNATION	19
COPELAND R410A HERMETICS COMPRESSORS	20
COPELAND R407C HERMETICS COMPRESSORS	21
COPELAND COMPRESSORS SPARE PARTS.....	22
BRISTOL MODEL DESIGNATION	23
BRISTOL R22 COMPRESSORS.....	24
BRISTOL R407C - R404A COMPRESSORS	25
EQUIVALENCE BOARD BRISTOL COMPRESSORS	26
06D MODEL DESIGNATION	27
06D COMPRESSORS TECHNICAL DATAS	28
06D SEMI-HERMETICS COMPRESSORS.....	32
06D SEMI-HERMETICS COMPRESSORS SPARE PARTS.....	34
06E MODEL DESIGNATION.....	39
06E COMPRESSORS TECHNICAL DATAS	40
06E SEMI-HERMETICS COMPRESSORS	43
06E SEMI-HERMETICS COMPRESSORS SPARE PARTS	44
06N COMPRESSORS MODEL DESIGNATION	49
06N SCREWS COMPRESSORS	50
06N SCREWS COMPRESSORS SPARE PARTS.....	51
06T COMPRESSORS	53
06T COMPRESSORS SPARE PARTS	54
5F & 5H COMPRESSORS TECHNICAL DATAS	57
5F & 5H OPEN SIGNIFIANCE CHART	58
5F & 5H COMPRESSORS TECHNICAL DATAS	59
5F & 5H COMPRESSORS	61
5F & 5H COMPRESSORS SPARE PARTS.....	62
PARTS FOR 06B COMPRESSORS	71

VALVES

ELECTRONIC EXPANSION VALVES.....	74
EXV INSTALLED IN 30RB/30RQ/30XA/30XW	78
R22 COMPLETE THERMOSTATIC EXPANSION VALVES.....	79
R407C THERMOSTATIC EXPANSION VALVES.....	80
R134A THERMOSTATIC EXPANSION VALVES.....	80

TABLE OF CONTENTS

R22 COMPLETE THERMOSTATIC EXPANSION VALVES.....	81
R407C COMPLETE THERMOSTATIC EXPANSION VALVES	83
BALL VALVES.....	84
ACTUATED BALL VALVES.....	86
COOLING 2 WAYS WATER VALVES.....	86
COOLING 3 WAYS WATER VALVES.....	87
COOLING 4 WAYS WATER VALVES.....	88
COOLING WATER VALVES ACTUATOR.....	88
R410A REVERSING VALVE.....	89
R22 REVERSING VALVE.....	90
R22 SOLENOID VALVES.....	91
TQ VALVES.....	93
SUCTION VALVES	94
SAFETY RELIEF VALVES.....	95
FUSES PLUGS	96
SOLD ANGLE VALVES.....	97
ACCURATORS PISTONS	100
ACCURATORS SPARE PARTS	101
ACCURATORS PISTONS	102

MOTORS & PROPELLERS

MOTORS.....	103
FAN PROPELLERS	107
CAPS	110
FAN MOTORS.....	111
FAN ASSEMBLY	116

HYDRAULIC

IE2 SINGLE HYDRAULIC PUMPS.....	117
SINGLE HYDRAULIC PUMPS.....	118
IE2 DOUBLE HYDRAULIC PUMPS.....	121
DOUBLE HYDRAULIC PUMPS	122
HYDRAULIC COLLARS	123
FLOW SWITCH	125
TAPS.....	126
HYDRAULIC VALVES.....	127
BRASS TAP VALVES.....	128
EXPANSION TANK	128
WATER FILTERS	129
FLEXIBLES.....	130
PLATE EXCHANGERS.....	131
PERISTALTIC PUMPS	135
TANK PUMPS.....	135

CARRIER ERCD reserves the right to change any product specifications without notice.

TABLE OF CONTENTS

CONDENSATE MINI PUMPS	136
OIL LINE AND PARTS	
OIL PUMPS	137
OIL FILTERS	137
OIL LEVEL SWITCH	138
OIL LINE	138
HEATING CABLES	139
AUTO-ADHESIVE HEATING PLATE	140
FILTERS DRIERS AND SHELLS	
MOISTURE LIQUID INDICATORS TO SOLD ON TUBE	141
COPPER TUBE MOISTURE INDICATORS	141
BRASS CONNECTION MOISTURE INDICATORS	142
FILTERS DRIERS SHELLS FOR CARTRIDGES	143
FILTERS DRIERS	146
COMPLETE FILTERS DRIERS	147
CARTRIDGES	148
PERMANENT APPLICATION CARTRIDGES	148
INOX CARTRIDGES	149
AIR FILTERS	
AIR FILTERS INSTALLED IN CARRIER SPLIT SYSTEMS	150
AIR FILTERS	156
PRESSURE SWITCH	
MINI HIGH PRESSURE SWITCH	158
MINI LOW PRESSURE SWITCH	158
HIGH PRESSURE SWITCH	159
DOUBLE HIGH PRESSURE SWITCH	160
LOW PRESSURE SWITCH	160
PRESSURE SWITCH	161
OIL PRESSURE SWITCH	162
OIL DIFFERENTIAL PRESSURE SWITCH	162

THERMOSTATS

THERMOSTATS	163
ELECTRONIC THERMOSTATS	164
THERMOSTATS	165
TEMPERATURE SENSORS	166

ELECTRICAL PARTS

CONTACTORS	167
------------------	-----

CARRIER ERCD reserves the right to change any product specifications without notice.

TABLE OF CONTENTS

MINI CONTACTORS	172
AUXILIARY CONTACT RELAYS	173
STARTERS.....	176
BREAKERS.....	177
AUXILIARY CONTACT RELAYS	181
FUSES	182
FUSES SWITCH DISCONNECTOR.....	185
SWITCH DISCONNECTORS WITHOUT FUSE.....	186
SWITCH DISCONNECTORS WITH FUSE.....	187
SWITCH DISCONNECTORS WITHOUT FUSE.....	188
TRANSFORMERS.....	190
3 - PHASES BUSBARS	192
RELAYS	193
CAPACITORS.....	198
CRANKCASE HEATER	203
ACTUATORS	204
SERVOMOTORS	205
DAMPER ACTUATOR	206
SPRING RETURN ACTUATOR	207
ELECTRONICS	
FLOTRONIC 1 CONTROL.....	208
FLOTRONIC 2 CONTROL.....	209
PRODIALOG ET PRODIALOG + (30H ET 30G) CONTROL.....	210
PRODIALOG + 4.....	212
PRODIALOG AQUASNAP (30RA/RH/RB/RQ) CONTROL.....	213
30 XA / 30 XW PDS CONTROL.....	214
ELECTRONIC STARTERS	215
SPEED VARIATORS	215
AQUASMART SYSTEM MANAGER.....	218
ELECTRONIC BOARDS.....	221
COMMUNICATION ELECTRONIC BOARDS	222
BRASS FITTINGS	
SAE FLARE NUTS.....	223
SAE FLARE REDUCING NUTS	223
COUPLING	224
90° ELBOWS	225
TEES.....	226
PLUGS.....	227
COPPER SEAL CAPS.....	228
COPPER GASKETS	228

COPPER FITTINGS

FEMALE TO FEMALE COPPER COUPLING	229
FEMALE TO FEMALE REDUCING COPPER COUPLING	230
MALE TO FEMALE REDUCING COPPER COUPLING	232
45° FEMALE TO FEMALE COPPER ELBOWS	233
45° MALE TO FEMALE COPPER ELBOWS	233
90° SHORT RADIUS FEMALE TO FEMALE COPPER ELBOWS	234
90° SHORT RADIUS MALE TO FEMALE COPPER ELBOWS	234
90° LONG RADIUS FEMALE TO FEMALE COPPER ELBOWS	235
90° LONG RADIUS MALE TO FEMALE COPPER ELBOWS	235
90° LONG RADIUS MALE TO FEMALE COPPER ELBOWS	236
EQUALS COPPER TEES	237
REDUCING COPPER TEES	238

COPPER

COPPER BARS	244
NAKED COPPER ROLLS	244
1 TUBE INSULATED COPPER ROLLS	245
2 TUBES INSULATED COPPER ROLLS	245

INSULATION

TUBE INSULATION	246
-----------------------	-----

OILS

COPELAND COMPRESSORS OILS	247
MANEUROP COMPRESSORS OILS	247
TOTALINE MINERAL OILS	248
TOTALINE ESTER OILS	248

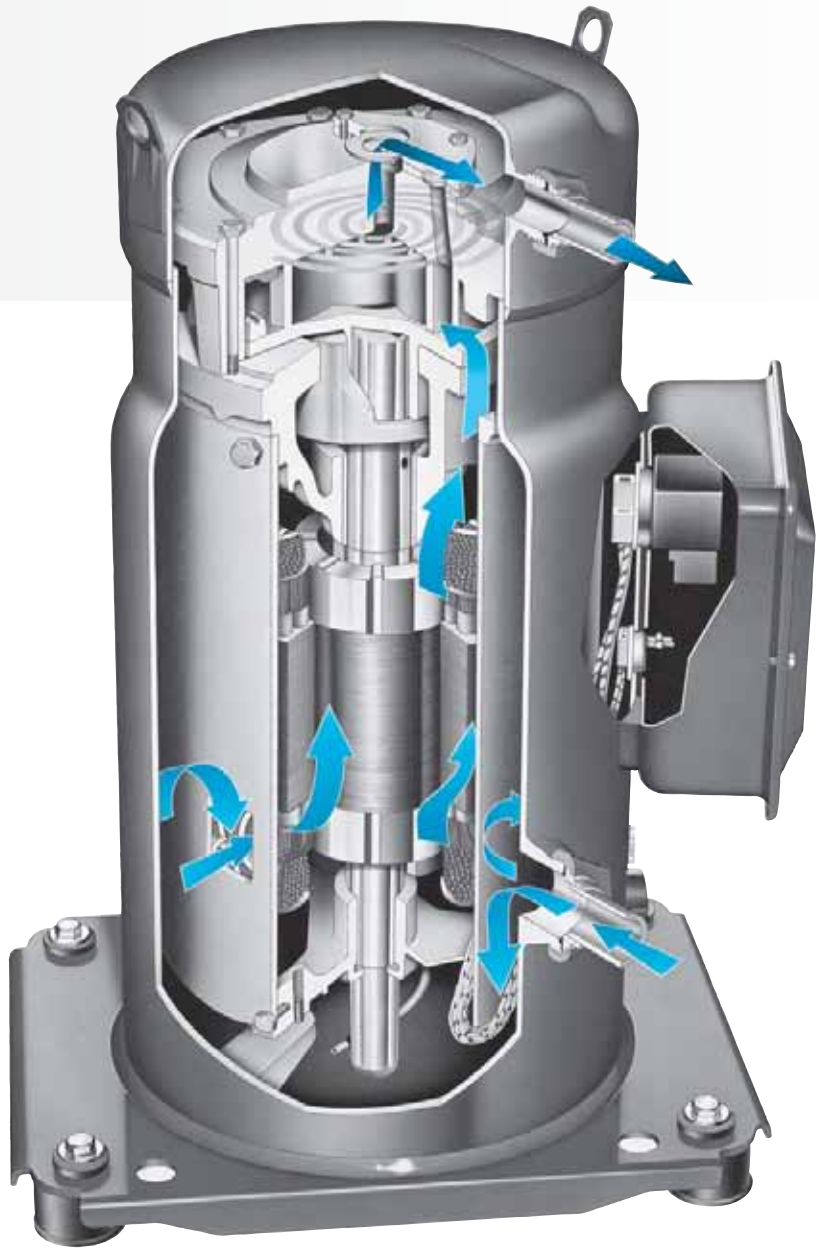
TESTS

VERNOLAB OIL TEST	249
-------------------------	-----

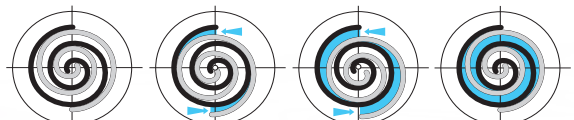
TOOLS

TOOLS	250
GAUGES	259
FIN COMBS	261
PAINT SPRAYS	261
COOLER & CONDENSER BRUSHES	262

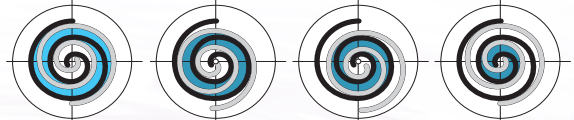
PERFORMER® SCROLL COMPRESSION PRINCIPLE



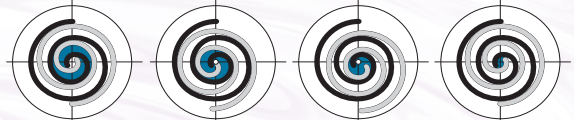
First orbit:
SUCTION



Second orbit:
COMPRESSION



Third orbit:
DISCHARGE



COMPRESSOR MODEL DESIGNATION

Performer® scroll compressors are available both as single compressors and as tandem units. The example below presents the single compressor codification (technical reference

shown on compressor nameplate). For tandem assemblies, please refer to the Performer® Parallel Application Guidelines documentation.

Nomenclature

	Family, lubricant & refrigerant	Nominal capacity	Motor protection type	Voltage	Version	Evolution Index
	S Z S Y	1 8 5 3 0 0	S A	4 9	R AA	C A

Family, lubricant & refrigerant
SM: Scroll, mineral oil, for R22
SY: Scroll, POE lubricant, for R22
SZ: Scroll, POE lubricant, for R407C - R134a

Nominal capacity
 in thousand Btu/h at 60 Hz, R22, ARI conditions

UL index

Voltage
 Motor voltage code:
 3: 200-230/3/60
 4: 380-400/3/50 - 460/3/60
 6: 230/3/50
 7: 500/3/50 - 575/3/60
 9: 380/3/60

Motor protection type	Version	Description	Applies to
Internal overload protector	V	V: brazed	S 084 - 090 100 - 110 - 120 148 - 161
Internal thermostat	C	C: brazed	S 115 - 125 160 - 175 - 185
	R	R: rotolock	
Electronic protection module	AA AB MA MB	A: brazed A: brazed M: rotolock M: rotolock	A: 24V B: 115/230V A: 24V B: 115/230V

*For trio assemblies, please contact Danfoss

Connection details

Model	SM/SZ 084 - 090 - 100 110 - 120 - 148 - 161	SM/SZ 115 - 125 - 160 - 175 - 185		SY/SZ 240 - 300		SY/SZ 380
Version	V	R	C	MA MB	AA AB	AA AB
Suction and discharge connection	brazed	rotolock	brazed	rotolock	brazed	brazed
Oil sight glass	threaded	threaded	threaded	threaded	threaded	threaded
Oil equalization connection	3/8" flare	3/8" flare	3/8" flare	1/2" flare	1/2" flare	1/2" flare
Oil drain connection	-	1/4" NPT	1/4" NPT	1/4" NPT	1/4" NPT	1/4" NPT
Low pressure gauge port (schrader)	1/4" flare	1/4" flare	1/4" flare	1/4" flare	1/4" flare	1/4" flare

TECHNICAL SPECIFICATIONS

50-Hz data

Model	Nominal Cap. 60 Hz TR	Nominal cooling capacity		Power input kW	A max (code 4) A	Efficiency		Sound power dB(A)	Swept volume cm ³ /rev	Displacement** m ³ /h	Oil charge dm ³	Net weight* kg	
		W	Btu/h			COP W/W	E.E.R. Btu/h/W						
R22 SINGLE	SM084	7	20400	69 600	6.12	17	3.33	11.4	70	114.5	19.92	3.3	64
	SM090	7.5	21800	74 400	6.54	17	3.33	11.4	70	120.5	20.97	3.3	65
	SM100	8	23100	79 000	6.96	19	3.33	11.3	70	127.2	22.13	3.3	65
	SM110	9	25900	88 600	7.82	20	3.32	11.3	75	144.2	25.09	3.3	73
	SM115	9.5	28000	95 600	8.31	25	3.37	11.5	76	155.0	26.97	3.8	78
	SM120	10	30100	102 800	8.96	29	3.36	11.5	75	166.6	28.99	3.3	73
	SM125	10	30100	102 800	8.93	25	3.37	11.5	76	166.6	28.99	3.8	78
	SM148	12	36100	123 100	10.80	32	3.34	11.4	79	199.0	34.60	3.6	88
	SM160	13	39100	133 500	11.60	29	3.37	11.5	79.5	216.6	37.69	4.0	90
	SM161	13	39000	133 200	11.59	32	3.37	11.5	79.5	216.6	37.69	3.6	88
	SM175	14	42000	143 400	12.46	35	3.37	11.5	80	233.0	40.54	6.2	100
	SM185	15	45500	155 300	13.62	35	3.34	11.4	80	249.9	43.48	6.2	100
	SY240	20	61200	208 700	18.20	50	3.36	11.5	82	347.8	60.50	8.0	150
	SY300	25	78200	267 000	22.83	69	3.43	11.7	82	437.5	76.10	8.0	157
SY380	30	92000	313 900	26.82	79	3.43	11.7	85	531.2	92.40	8.4	158	
R407C SINGLE	SZ084	7	19300	66 000	6.13	17	3.15	10.7	71	114.5	19.92	3.3	64
	SZ090	7.5	20400	69 600	6.45	17	3.16	10.8	72	120.5	20.97	3.3	65
	SZ100	8	21600	73 700	6.84	19	3.15	10.8	73	127.2	22.13	3.3	65
	SZ110	9	24600	84 000	7.76	20	3.17	10.8	77	144.2	25.09	3.3	73
	SZ115	9.5	26900	91 700	8.49	25	3.16	10.8	77	155.0	26.97	3.8	78
	SZ120	10	28600	97 600	8.98	29	3.18	10.9	77	166.6	28.99	3.3	73
	SZ125	10	28600	97 500	8.95	25	3.19	10.9	78	166.6	28.99	3.8	78
	SZ148	12	35100	119 800	10.99	32	3.19	10.9	79	199.0	34.60	3.6	88
	SZ160	13	37600	128 200	11.58	29	3.24	11.1	80.5	216.6	37.69	4.0	90
	SZ161	13	37900	129 500	11.83	32	3.21	10.9	79	216.6	37.69	3.6	88
	SZ175	14	40100	136 900	12.67	35	3.17	10.8	81	233.0	40.54	6.2	100
	SZ185	15	43100	147 100	13.62	35	3.16	10.8	81	249.9	43.48	6.2	100
	SZ240	20	59100	201 800	18.60	50	3.18	10.9	83.5	347.8	60.50	8.0	150
	SZ300	25	72800	248 300	22.70	69	3.20	10.9	84	437.5	76.10	8.0	157
SZ380	30	89600	305 900	27.60	79	3.25	11.1	86.5	531.2	92.40	8.4	158	

TR = Ton of Refrigeration
 COP = Coefficient Of Performance
 EER = Energy Efficiency Ratio

* with oil charge & accessories
 ** at nominal speed
 2900 rpm at 50 Hz
 3500 rpm at 60Hz

Rating conditions

	SM/SY compressors	SZ compressors
Refrigerant	R22	R407C
Frequency	50 Hz	50 Hz
Standard rating conditions	ARI standard conditions	-
Evaporating temperature	7.2 °C	7.2 °C (dew point)
Condensing temperature	54.4 °C	54.4 °C (dew point)
Sub-cooling	8.3 K	8.3 K
Superheat	11.1 K	11.1 K

Subject to modification without prior notification

COMPRESSORS / DANFOSS COMPRESSORS TECHNICAL DATAS

MT

PERFORMANCE DATA

R22

Model	To Tc	-25		-20		-15		-10		-5		0		5		10		15	
		Qo	Pe	Qo	Pe	Qo	Pe	Qo	Pe	Qo	Pe	Qo	Pe	Qo	Pe	Qo	Pe	Qo	Pe
MT018	35	900	0.73	1 340	0.86	1 910	0.99	2 610	1.10	3 480	1.20	4 530	1.28	5 790	1.33	7 260	1.36	8 990	1.34
	45	690	0.77	1 070	0.92	1 560	1.06	2 170	1.20	2 940	1.32	3 860	1.43	4 980	1.51	6 310	1.57	7 860	1.60
	55	-	-	-	-	1 230	1.12	1 740	1.28	2 370	1.44	3 160	1.58	4 120	1.70	5 270	1.80	6 640	1.87
MT022	35	1 340	0.89	2 050	1.08	2 890	1.26	3 880	1.43	5 030	1.57	6 360	1.68	7 880	1.76	9 620	1.79	11 580	1.76
	45	890	0.92	1 540	1.14	2 310	1.26	3 210	1.54	4 250	1.72	5 470	1.88	6 860	2.00	8 450	2.08	10 250	2.11
	55	-	-	-	-	1 710	1.38	2 500	1.62	3 430	1.84	4 510	2.04	5 760	2.22	7 190	2.35	8 810	2.45
MT028	35	2 310	1.45	3 250	1.66	4 330	1.86	5 570	2.03	6 980	2.16	8 570	2.25	10 370	2.28	12 380	2.25	14 610	2.14
	45	1 750	1.46	2 630	1.71	3 640	1.95	4 800	2.18	6 110	2.37	7 590	2.53	9 260	2.64	11 140	2.70	13 220	2.69
	55	-	-	-	-	2 910	2.01	3 960	2.30	5 160	2.57	6 510	2.81	8 040	3.01	9 760	3.17	11 670	3.27
MT032	35	2 500	1.70	3 480	1.93	4 640	2.16	5 990	2.36	7 570	2.53	9 390	2.67	11 470	2.75	13 830	2.78	16 510	2.74
	45	1 870	1.75	2 770	2.02	3 830	2.28	5 080	2.54	6 520	2.77	8 190	2.97	10 110	3.12	12 290	3.23	14 760	3.28
	55	-	-	-	-	3 130	2.39	4 240	2.70	5 530	3.00	7 030	3.27	8 750	3.51	10 730	3.71	12 970	3.86
MT036	35	3 120	1.90	4 300	2.13	5 650	2.37	7 190	2.59	8 920	2.79	10 870	2.96	13 050	3.09	15 470	3.18	18 140	3.22
	45	2 350	2.01	3 470	2.28	4 740	2.55	6 180	2.82	7 800	3.07	9 620	3.31	11 660	3.51	13 920	3.68	16 410	3.80
	55	-	-	-	-	3 790	2.73	5 110	3.06	6 600	3.37	8 270	3.68	10 140	3.96	12 220	4.22	14 520	4.43
MT040	35	3 380	1.96	4 650	2.29	6 110	2.60	7 760	2.88	9 630	3.11	11 730	3.28	14 070	3.39	16 680	3.40	19 560	3.32
	45	2 460	2.12	3 700	2.50	5 110	2.86	6 710	3.21	8 510	3.52	10 540	3.78	12 800	3.98	15 310	4.11	18 090	4.14
	55	-	-	-	-	4 090	3.04	5 620	3.46	7 350	3.87	9 290	4.23	11 460	4.54	13 870	4.79	16 530	4.97
MT044	35	3 420	2.00	4 620	2.33	6 100	2.64	7 900	2.91	10 070	3.14	12 660	3.30	15 700	3.39	19 250	3.38	23 340	3.27
	45	2 820	2.18	3 880	2.56	5 200	2.92	6 820	3.27	8 770	3.57	11 100	3.83	13 860	4.01	17 100	4.12	20 840	4.13
	55	-	-	-	-	4 360	3.10	5 740	3.53	7 430	3.93	9 470	4.29	11 910	4.59	14 780	4.82	18 150	4.97
MT045	35	2 840	1.99	4 180	2.28	5 780	2.53	7 690	2.74	9 930	2.92	12 530	3.07	15 530	3.20	18 960	3.30	22 840	3.39
	45	2 170	1.98	3 390	2.39	4 840	2.74	6 550	3.04	8 560	3.31	10 900	3.53	13 590	3.73	16 670	3.90	20 170	4.05
	55	-	-	-	-	3 880	2.82	5 400	3.24	7 170	3.61	9 230	3.94	11 600	4.23	14 330	4.49	17 440	4.72
MT050	35	3 930	2.15	5 210	2.50	6 810	2.85	8 770	3.18	11 150	3.49	13 990	3.77	17 360	4.00	21 300	4.18	25 870	4.29
	45	3 080	2.38	4 240	2.77	5 690	3.16	7 480	3.54	9 650	3.90	12 270	4.24	15 380	4.54	19 040	4.80	23 290	4.99
	55	-	-	-	-	4 570	3.40	6 150	3.83	8 090	4.27	10 440	4.68	13 250	5.06	16 580	5.40	20 480	5.69
MT051	35	3 610	2.36	5 060	2.67	6 820	2.93	8 920	3.16	11 390	3.35	14 290	3.52	17 640	3.66	21 490	3.77	25 860	3.88
	45	2 950	2.43	4 260	2.86	5 830	3.24	7 700	3.56	9 900	3.85	12 460	4.10	15 430	4.31	18 850	4.50	22 740	4.66
	55	-	-	-	-	4 870	3.41	6 520	3.87	8 440	4.27	10 680	4.63	13 290	4.95	16 280	5.23	19 710	5.48
MT056	35	4 110	2.49	5 830	2.94	7 850	3.35	10 200	3.71	12 900	4.01	16 000	4.22	19 530	4.33	23 530	4.31	28 010	4.15
	45	3 200	2.65	4 780	3.16	6 640	3.66	8 780	4.12	11 260	4.54	14 100	4.88	17 330	5.13	21 000	5.28	25 120	5.30
	55	-	-	-	-	5 430	3.89	7 340	4.47	9 540	5.02	12 070	5.52	14 970	5.94	18 270	6.28	21 990	6.49
MT057	35	4 190	2.64	5 880	2.98	7 900	3.29	10 280	3.57	13 050	3.81	16 260	4.03	19 940	4.23	24 120	4.40	28 850	4.56
	45	3 280	2.68	4 820	3.14	6 640	3.56	8 770	3.93	11 250	4.27	14 110	4.57	17 400	4.85	21 150	5.09	25 400	5.32
	55	-	-	-	-	5 440	3.71	7 330	4.21	9 520	4.67	12 050	5.09	14 960	5.47	18 280	5.81	22 060	6.13
MT064	35	4 690	2.81	6 560	3.29	8 790	3.75	11 430	4.18	14 540	4.55	18 150	4.85	22 330	5.06	27 110	5.16	32 550	5.13
	45	3 710	3.08	5 410	3.62	7 430	4.16	9 830	4.67	12 650	5.14	15 940	5.55	19 740	5.89	24 120	6.13	29 110	6.26
	55	-	-	-	-	6 290	4.43	8 380	5.04	10 860	5.63	13 770	6.17	17 160	6.66	21 080	7.06	25 570	7.37
MT065	35	4 900	3.03	6 650	3.36	8 800	3.68	11 400	3.99	14 480	4.28	18 100	4.55	22 290	4.82	27 090	5.07	32 560	5.30
	45	4 260	3.24	5 790	3.65	7 680	4.05	9 980	4.43	12 720	4.80	15 960	5.15	19 730	5.48	24 080	5.80	29 050	6.10
	55	-	-	-	-	6 600	4.36	8 550	4.85	10 920	5.31	13 730	5.76	17 050	6.18	20 900	6.59	25 330	6.98
MT072	35	5 180	3.32	7 290	3.76	9 780	4.21	12 680	4.64	16 040	5.06	19 900	5.44	24 300	5.79	29 280	6.07	34 890	6.30
	45	4 160	3.68	6 090	4.16	8 340	4.66	10 960	5.15	13 990	5.63	17 470	6.09	21 450	6.52	25 970	6.91	31 070	7.24
	55	-	-	-	-	7 210	5.20	9 490	5.76	12 130	6.33	15 180	6.88	18 680	7.41	22 670	7.90	27 200	8.35
MT073	35	5 710	3.24	7 780	3.72	10 290	4.16	13 310	4.57	16 870	4.95	21 030	5.29	25 830	5.59	31 340	5.85	37 590	6.07
	45	4 720	3.39	6 560	3.97	8 800	4.51	11 500	5.03	14 700	5.52	18 460	5.97	22 830	6.39	27 850	6.76	33 580	7.09
	55	-	-	-	-	7 360	4.79	9 710	5.43	12 520	6.04	15 850	6.61	19 730	7.15	24 230	7.66	29 400	8.12
MT080	35	5 910	3.72	8 320	4.22	11 150	4.72	14 460	5.22	18 280	5.70	22 670	6.14	27 670	6.54	33 330	6.88	39 700	7.14
	45	4 740	4.15	6 940	4.69	9 510	5.25	12 500	5.81	15 960	6.36	19 930	6.88	24 460	7.37	29 610	7.81	35 420	8.20
	55	-	-	-	-	8 180	5.88	10 790	6.52	13 810	7.15	17 300	7.77	21 300	8.37	25 870	8.93	31 040	9.43
MT081	35	6 530	3.79	8 890	4.28	11 720	4.75	15 070	5.19	19 020	5.63	23 610	6.06	28 900	6.48	34 970	6.90	41 850	7.32
	45	5 420	3.97	7 600	4.59	10 180	5.19	13 240	5.76	16 820	6.30	21 000	6.83	25 820	7.35	31 350	7.86	37 640	8.36
	55	-	-	-	-	8 570	5.50	11 300	6.23	14 510	6.94	18 240	7.62	22 570	8.27	27 540	8.91	33 220	9.54
MT100	35	7 530	4.77	10 290	5.39	13 620	5.98	17 610	6.49	22 330	6.90	27 860	7.19	34 290	7.32	41 700	7.26	50 160	7.00
	45	5 490	4.87	7 980	5.59	10 980	6.29	14 570	6.95	18 830	7.52	23 840	7.99	29 680	8.33	36 430	8.51	44 180	8.50
	55	-	-	-	-	8 880	6.59	11 990	7.41	15 700	8.18	20 100	8.87	25 270	9.44	31 290	9.89	38 320	10.16
MT125	35	10 050	6.10	13 610	6.83	17 890	7.53	22 990	8.19	29 010	8.77								

COMPRESSORS / DANFOSS COMPRESSORS TECHNICAL DATAS

MTZ

PERFORMANCE DATA

R404A / R507A

Model	To	-30			-25			-20			-15			-10			-5			0			5			10		
		Tc	Qo	Pe	Qo	Pe	Qo	Pe	Qo	Pe	Qo	Pe	Qo	Pe	Qo	Pe	Qo	Pe	Qo	Pe	Qo	Pe	Qo	Pe	Qo	Pe		
MTZ018	35	720	0.92	1 220	1.13	1 820	1.30	2 540	1.43	3 390	1.53	4 390	1.60	5 540	1.65	6 870	1.67	8 390	1.68									
	45	400	0.78	840	1.06	1 370	1.29	2 000	1.48	2 750	1.63	3 630	1.76	4 650	1.85	5 830	1.91	7 190	1.96									
	55	-	-	460	0.90	900	1.21	1 430	1.47	2 060	1.69	2 800	1.87	3 680	2.01	4 700	2.13	5 880	2.22									
MTZ022	35	1 310	1.09	1 890	1.26	2 600	1.42	3 470	1.56	4 510	1.69	5 740	1.80	7 180	1.89	8 850	1.97	10 770	2.03									
	45	950	1.08	1 480	1.30	2 110	1.51	2 880	1.70	3 800	1.87	4 880	2.03	6 160	2.17	7 650	2.29	9 370	2.39									
	55	-	-	1 000	1.25	1 530	1.52	2 160	1.76	2 930	1.99	3 850	2.21	4 940	2.40	6 220	2.58	7 720	2.74									
MTZ028	35	1 910	1.43	2 660	1.67	3 560	1.88	4 620	2.06	5 870	2.23	7 320	2.37	8 990	2.49	10 910	2.59	13 090	2.67									
	45	1 440	1.42	2 120	1.71	2 920	1.98	3 860	2.23	4 970	2.45	6 250	2.66	7 740	2.84	9 440	2.99	11 390	3.13									
	55	-	-	1 530	1.68	2 210	2.02	3 020	2.33	3 960	2.63	5 060	2.90	6 330	3.14	7 810	3.37	9 500	3.57									
MTZ032	35	2 020	1.50	2 830	1.77	3 830	2.02	5 040	2.26	6 490	2.47	8 220	2.66	10 230	2.81	12 570	2.93	15 260	3.00									
	45	1 570	1.52	2 290	1.84	3 150	2.15	4 190	2.44	5 420	2.72	6 880	2.97	8 590	3.19	10 580	3.37	12 880	3.51									
	55	-	-	1 700	1.84	2 440	2.21	3 300	2.56	4 330	2.90	5 530	3.22	6 950	3.51	8 600	3.76	10 530	3.98									
MTZ036	35	2 270	1.69	3 250	1.98	4 450	2.27	5 900	2.55	7 610	2.82	9 630	3.07	11 990	3.31	14 700	3.52	17 810	3.70									
	45	1 630	1.67	2 490	2.01	3 530	2.35	4 780	2.69	6 250	3.03	8 000	3.35	10 040	3.67	12 410	3.97	15 130	4.24									
	55	-	-	1 750	2.00	2 620	2.40	3 660	2.80	4 900	3.20	6 370	3.60	8 100	3.99	10 120	4.38	12 460	4.75									
MTZ040	35	2 620	1.94	3 740	2.26	5 100	2.57	6 730	2.88	8 670	3.18	10 940	3.47	13 570	3.76	16 610	4.05	20 080	4.34									
	45	1 930	1.93	2 910	2.32	4 080	2.69	5 480	3.05	7 140	3.42	9 100	3.77	11 380	4.12	14 030	4.47	17 060	4.82									
	55	-	-	2 120	2.30	3 090	2.75	4 260	3.20	5 640	3.64	7 280	4.08	9 200	4.51	11 450	4.94	14 050	5.36									
MTZ044	35	3 050	2.28	4 230	2.64	5 690	3.00	7 480	3.35	9 640	3.68	12 210	3.98	15 230	4.23	18 740	4.44	22 800	4.58									
	45	1 850	2.25	2 900	2.65	4 180	3.05	5 730	3.46	7 600	3.86	9 820	4.25	12 450	4.60	15 520	4.92	19 070	5.18									
	55	-	-	1 820	2.47	2 840	2.94	4 080	3.43	5 590	3.92	7 400	4.41	9 560	4.88	12 110	5.32	15 090	5.74									
MTZ045	35	2 690	2.04	3 950	2.42	5 480	2.76	7 300	3.06	9 450	3.31	11 960	3.52	14 870	3.68	18 220	3.80	22 040	3.86									
	45	1 710	1.85	2 810	2.33	4 140	2.78	5 720	3.19	7 590	3.55	9 780	3.87	12 340	4.15	15 290	4.38	18 680	4.56									
	55	-	-	1 700	2.07	2 790	2.63	4 100	3.16	5 660	3.64	7 510	4.08	9 680	4.48	12 220	4.84	15 150	5.15									
MTZ050	35	3 690	2.64	5 060	3.05	6 730	3.46	8 760	3.86	11 170	4.23	14 020	4.57	17 350	4.87	21 200	5.10	25 620	5.27									
	45	2 340	2.62	3 560	3.07	5 030	3.53	6 800	3.99	8 900	4.45	11 380	4.89	14 290	5.29	17 650	5.66	21 530	5.97									
	55	-	-	2 310	2.90	3 500	3.43	4 930	3.99	6 640	4.55	8 680	5.10	11 070	5.64	13 880	6.15	17 130	6.62									
MTZ051	35	3 320	2.42	4 720	2.81	6 390	3.15	8 380	3.45	10 730	3.70	13 480	3.92	16 660	4.09	20 320	4.22	24 500	4.31									
	45	2 290	2.29	3 540	2.80	5 020	3.27	6 790	3.69	8 880	4.06	11 330	4.38	14 180	4.66	17 480	4.92	21 250	5.10									
	55	-	-	2 320	2.60	3 570	3.21	5 070	3.77	6 850	4.28	8 960	4.74	11 440	5.16	14 330	5.53	17 670	5.85									
MTZ056	35	4 050	2.89	5 630	3.36	7 530	3.84	9 790	4.30	12 440	4.75	15 530	5.16	19 090	5.53	23 160	5.83	27 780	6.07									
	45	2 570	2.88	4 000	3.40	5 690	3.93	7 680	4.47	10 010	5.01	12 710	5.52	15 830	6.01	19 400	6.45	23 460	6.84									
	55	-	-	2 590	3.21	3 990	3.83	5 630	4.46	7 550	5.11	9 780	5.76	12 370	6.39	15 360	6.99	18 770	7.56									
MTZ057	35	3 750	2.64	5 390	3.13	7 350	3.55	9 690	3.93	12 430	4.26	15 610	4.57	19 290	4.86	23 480	5.16	28 240	5.47									
	45	2 510	2.41	3 960	3.07	5 680	3.64	7 730	4.14	10 120	4.58	12 920	4.98	16 150	5.34	19 850	5.69	24 070	6.03									
	55	-	-	2 530	2.76	3 980	3.52	5 710	4.20	7 740	4.79	10 110	5.32	12 880	5.79	16 080	6.23	19 740	6.64									
MTZ064	35	4 780	3.20	6 540	3.76	8 640	4.31	11 130	4.86	14 040	5.38	17 420	5.86	21 320	6.30	25 750	6.66	30 780	6.95									
	45	3 140	3.18	4 740	3.77	6 620	4.39	8 820	5.01	11 390	5.63	14 370	6.22	17 790	6.78	21 700	7.29	26 130	7.74									
	55	-	-	3 110	3.58	4 680	4.28	6 520	5.00	8 660	5.73	11 140	6.46	14 000	7.17	17 290	7.85	21 050	8.48									
MTZ065	35	4 310	3.01	6 070	3.54	8 190	4.02	10 720	4.45	13 710	4.83	17 210	5.19	21 280	5.52	25 950	5.84	31 290	6.16									
	45	3 050	2.83	4 600	3.52	6 450	4.15	8 650	4.70	11 250	5.21	14 300	5.67	17 860	6.10	21 960	6.51	26 670	6.90									
	55	-	-	3 120	3.27	4 670	4.07	6 510	4.79	8 690	5.45	11 260	6.05	14 280	6.61	17 790	7.13	21 860	7.62									
MTZ072	35	5 640	3.78	7 540	4.32	9 820	4.88	12 520	5.44	15 690	6.00	19 380	6.55	23 630	7.08	28 490	7.58	34 000	8.03									
	45	3 820	3.87	5 540	4.45	7 580	5.07	9 980	5.70	12 780	6.35	16 040	7.01	19 780	7.65	24 070	8.28	28 950	8.89									
	55	-	-	3 730	4.37	5 440	5.06	7 440	5.79	9 780	6.55	12 510	7.33	15 660	8.12	19 290	8.90	23 440	9.68									
MTZ073	35	5 040	3.56	7 010	4.14	9 390	4.67	12 250	5.14	15 650	5.57	19 640	5.95	24 280	6.27	29 620	6.54	35 730	6.76									
	45	3 670	3.44	5 360	4.16	7 400	4.83	9 860	5.45	12 780	6.01	16 240	6.53	20 280	7.00	24 960	7.41	30 340	7.77									
	55	-	-	3 770	3.99	5 440	4.81	7 450	5.58	9 870	6.30	12 760	6.96	16 170	7.58</													

MTZ

PERFORMANCE DATA

R407C

Model	To Tc	-15		-10		-5		0		5		10		15	
		Qo	Pe	Qo	Pe	Qo	Pe	Qo	Pe	Qo	Pe	Qo	Pe	Qo	Pe
MTZ018	35	2 160	1.01	2 950	1.11	3 870	1.18	4 950	1.23	6 190	1.26	7 630	1.28	9 270	1.28
	45	1 690	1.03	2 420	1.20	3 260	1.32	4 250	1.42	5 380	1.49	6 680	1.54	8 170	1.57
	55	-	-	-	-	2 610	1.41	3 490	1.57	4 500	1.69	5 660	1.79	6 990	1.86
MTZ022	35	2 770	1.23	3 720	1.37	4 870	1.48	6 230	1.58	7 820	1.66	9 670	1.72	11 800	1.78
	45	2 320	1.32	3 170	1.52	4 170	1.68	5 340	1.82	6 710	1.93	8 290	2.02	10 120	2.10
	55	-	-	-	-	3 480	1.85	4 480	2.05	5 640	2.21	6 980	2.35	8 520	2.47
MTZ028	35	3 680	1.61	4 840	1.77	6 270	1.91	7 990	2.03	10 030	2.13	12 450	2.22	15 270	2.29
	45	3 160	1.77	4 190	1.96	5 430	2.14	6 910	2.30	8 680	2.45	10 760	2.58	13 190	2.71
	55	-	-	-	-	4 610	2.37	5 890	2.57	7 390	2.76	9 160	2.94	11 230	3.11
MTZ032	35	4 100	1.76	5 340	1.93	6 860	2.09	8 680	2.23	10 840	2.35	13 400	2.46	16 370	2.54
	45	3 590	1.94	4 700	2.17	6 030	2.37	7 620	2.57	9 510	2.74	11 730	2.89	14 320	3.02
	55	-	-	-	-	5 130	2.63	6 490	2.89	8 100	3.12	10 000	3.34	12 220	3.53
MTZ036	35	4 560	2.11	5 990	2.39	7 740	2.64	9 830	2.86	12 320	3.03	15 240	3.14	18 620	3.19
	45	3 900	2.21	5 130	2.54	6 630	2.86	8 450	3.15	10 620	3.41	13 180	3.63	16 160	3.80
	55	-	-	-	-	5 600	3.09	7 130	3.45	8 960	3.79	11 150	4.10	13 720	4.37
MTZ040	35	5 230	2.30	6 970	2.61	9 040	2.92	11 460	3.20	14 270	3.45	17 520	3.66	21 250	3.81
	45	4 310	2.45	5 890	2.81	7 740	3.18	9 890	3.54	12 400	3.90	15 290	4.23	18 610	4.52
	55	-	-	-	-	6 440	3.42	8 340	3.85	10 530	4.29	13 060	4.72	15 980	5.14
MTZ044	35	5 300	2.37	7 200	2.66	9 490	2.90	12 220	3.08	15 430	3.20	19 170	3.23	23 490	3.16
	45	4 350	2.55	6 060	2.91	8 130	3.24	10 590	3.52	13 480	3.76	16 870	3.93	20 780	4.02
	55	-	-	-	-	6 530	3.45	8 660	3.86	11 190	4.24	14 160	4.57	17 620	4.84
MTZ045	35	5 720	2.40	7 620	2.65	9 860	2.86	12 490	3.01	15 540	3.13	19 070	3.22	23 110	3.28
	45	4 540	2.47	6 290	2.87	8 360	3.20	10 770	3.46	13 580	3.67	16 830	3.83	20 560	3.95
	55	-	-	-	-	6 680	3.38	8 830	3.80	11 350	4.15	14 270	4.43	17 640	4.65
MTZ050	35	6 120	2.69	8 220	3.02	10 740	3.30	13 720	3.53	17 220	3.69	21 280	3.76	25 940	3.74
	45	5 040	2.88	6 940	3.28	9 210	3.66	11 910	4.00	15 070	4.29	18 740	4.51	22 980	4.65
	55	-	-	-	-	7 470	3.90	9 810	4.37	12 570	4.81	15 800	5.20	19 550	5.52
MTZ051	35	6 360	2.73	8 390	3.00	10 850	3.24	13 810	3.43	17 330	3.58	21 470	3.70	26 310	3.78
	45	5 310	2.92	7 120	3.32	9 300	3.66	11 910	3.95	15 010	4.19	18 660	4.38	22 940	4.53
	55	-	-	-	-	7 690	3.97	9 950	4.40	12 630	4.76	15 790	5.07	19 510	5.33
MTZ056	35	7 100	3.06	9 440	3.45	12 230	3.79	15 530	4.07	19 390	4.28	23 840	4.41	28 950	4.43
	45	5 870	3.27	7 990	3.74	10 520	4.17	13 500	4.57	16 990	4.92	21 020	5.20	25 660	5.39
	55	-	-	-	-	8 590	4.44	11 180	4.98	14 230	5.49	17 780	5.95	21 880	6.34
MTZ057	35	7 370	3.07	9 700	3.39	12 510	3.66	15 870	3.89	19 850	4.09	24 490	4.29	29 880	4.49
	45	6 050	3.24	8 120	3.69	10 610	4.07	13 580	4.40	17 100	4.69	21 230	4.96	26 040	5.22
	55	-	-	-	-	8 720	4.38	11 300	4.85	14 360	5.26	17 960	5.64	22 190	5.99
MTZ064	35	8 060	3.43	10 640	3.87	13 700	4.26	17 310	4.60	21 510	4.86	26 350	5.03	31 890	5.10
	45	6 670	3.66	9 020	4.18	11 800	4.67	15 060	5.13	18 860	5.54	23 250	5.87	28 280	6.13
	55	-	-	-	-	9 680	4.97	12 530	5.58	15 860	6.16	19 730	6.68	24 180	7.14
MTZ065	35	7 810	3.40	10 440	3.74	13 540	4.03	17 160	4.29	21 360	4.54	26 210	4.79	31 750	5.06
	45	6 620	3.64	9 050	4.14	11 880	4.56	15 170	4.93	18 970	5.27	23 340	5.58	28 550	5.89
	55	-	-	-	-	10 030	4.99	12 930	5.52	16 270	5.99	20 130	6.42	24 540	6.83
MTZ072	35	9 240	3.89	12 110	4.39	15 510	4.84	19 500	5.25	24 130	5.57	29 450	5.81	35 520	5.93
	45	7 670	4.13	10 290	4.72	13 370	5.29	16 990	5.82	21 180	6.30	26 010	6.71	31 520	7.03
	55	-	-	-	-	11 030	5.63	14 190	6.32	17 870	6.98	22 120	7.59	27 000	8.13
MTZ073	35	9 370	4.02	12 300	4.47	15 760	4.86	19 810	5.20	24 510	5.51	29 950	5.80	36 180	6.07
	45	7 840	4.25	10 560	4.88	13 750	5.43	17 480	5.91	21 800	6.33	26 800	6.70	32 530	7.03
	55	-	-	-	-	11 460	5.84	14 790	6.52	18 670	7.11	23 160	7.63	28 320	8.09
MTZ080	35	10 660	4.43	13 880	5.01	17 690	5.55	22 130	6.02	27 270	6.43	33 170	6.73	39 870	6.93
	45	8 870	4.70	11 810	5.38	15 260	6.03	19 290	6.65	23 950	7.22	29 300	7.71	35 400	8.11
	55	-	-	-	-	12 660	6.42	16 180	7.21	20 280	7.97	24 990	8.67	30 390	9.31
MTZ081	35	10 030	4.50	13 270	5.00	17 190	5.46	21 920	5.89	27 550	6.31	34 220	6.73	42 040	7.17
	45	8 480	4.80	11 490	5.47	15 000	6.08	19 130	6.63	23 990	7.15	29 710	7.63	36 400	8.10
	55	-	-	-	-	12 610	6.57	16 310	7.33	20 570	8.01	25 500	8.64	31 220	9.23
MTZ100	35	12 680	5.65	16 860	6.20	21 850	6.63	27 750	6.99	34 660	7.30	42 680	7.59	51 930	7.89
	45	10 390	5.95	14 170	6.79	18 630	7.47	23 870	8.02	30 010	8.48	37 140	8.88	45 370	9.25
	55	-	-	-	-	15 300	8.08	19 910	8.93	25 280	9.65	31 530	10.26	38 750	10.79
MTZ125	35	17 700	7.29	22 880	8.02	29 030	8.68	36 240	9.26	44 650	9.79	54 360	10.28	65 500	10.73
	45	14 650	7.78	19 270	8.75	24 670	9.63	30 960	10.42	38 260	11.15	46 680	11.82	56 340	12.45
	55	-	-	-	-	20 410	10.50	25 880	11.55	32 170	12.52	39 410	13.42	47 710	14.27
MTZ144	35	20 100	8.26	25 860	9.05	32 540	9.71	40 240	10.28	49 090	10.76	59 210	11.17	70 700	11.53
	45	16 610	8.78	21 990	9.90	28 140	10.88	35 190	11.73	43 240	12.47	52 430	13.11	62 860	13.68
	55	-	-	-	-	23 390	11.78	29 750	13.00	36 990	14.08	45 230	15.04	54 570	15.90
MTZ160	35	22 250	9.37	28 560	10.36	35 980	11.27	44 660	12.08	54 740	12.75	66 360	13.26	79 670	13.57
	45	18 680	9.98	24 390	11.22	31 060	12.42	38 850	13.54	47 890	14.57	58 320	15.46	70 290	16.19
	55	-	-	-	-	26 040	13.35	32 900	14.79	40 870	16.17	50 090	17.45	60 700	18.60
MTZ200	35	25 360	11.30	33 730	12.39	43 710	13.26	55 500	13.97	69 320	14.59	85 370	15.17	103 860	15.78
	45	20 770	11.91	28 330	13.57	37 250	14.93	47 750	16.04	60 020	16.96	74 290	17.76	90 740	18.49
	55	-	-	-	-	30 610	16.15	39 820	17.87	50 560	19.30	63 050	20.52	77 490	21.58
MTZ250	35	35 410	14.58	45 770	16.05	58 050	17.35	72 480	18.53	89 290	19.59	108 720	20.56	131 000	21.46
	45	29 310	15.57	38 550	17.50	49 340	19.26	61 910	20.85	76 510	22.31	93 360	23.65	112 680	24.90
	55	-	-	-	-	40 820	20.99	51 750	23.09	64 340	25.04	78 820	26.84	95	

MTZ

PERFORMANCE DATA

R134a

Model	To Tc	-15			-10			-5			0			5			10			15			20		
		Qo	Pe		Qo	Pe		Qo	Pe		Qo	Pe		Qo	Pe		Qo	Pe		Qo	Pe		Qo	Pe	
MTZ018	35	1 400	0.70	1 850	0.77	2 430	0.83	3 150	0.87	4 030	0.90	5 080	0.91	6 320	0.90	7 780	0.85								
	45	1 070	0.73	1 480	0.82	2 010	0.91	2 670	0.99	3 470	1.06	4 440	1.12	5 600	1.16	6 960	1.17								
	55	750	0.67	1 110	0.80	1 570	0.93	2 150	1.05	2 870	1.17	3 750	1.28	4 810	1.38	6 060	1.46								
MTZ022	35	1 750	0.86	2 380	0.96	3 150	1.05	4 090	1.13	5 220	1.18	6 560	1.21	8 120	1.21	9 920	1.17								
	45	1 430	0.90	2 000	1.03	2 700	1.15	3 550	1.26	4 580	1.36	5 790	1.43	7 220	1.48	8 890	1.50								
	55	1 100	0.88	1 590	1.04	2 190	1.20	2 940	1.35	3 840	1.49	4 930	1.62	6 210	1.73	7 710	1.81								
MTZ028	35	2 350	1.10	3 190	1.26	4 190	1.40	5 340	1.51	6 680	1.60	8 220	1.65	9 960	1.67	11 930	1.63								
	45	1 890	1.14	2 680	1.32	3 600	1.50	4 670	1.66	5 900	1.80	7 320	1.91	8 940	1.98	10 770	2.02								
	55	1 420	1.12	2 130	1.34	2 960	1.56	3 920	1.78	5 040	1.97	6 330	2.15	7 800	2.30	9 470	2.41								
MTZ032	35	2 300	1.29	3 220	1.47	4 330	1.64	5 640	1.78	7 180	1.89	8 970	1.96	11 020	1.98	13 370	1.94								
	45	2 050	1.37	2 880	1.58	3 870	1.78	5 040	1.96	6 430	2.12	8 030	2.24	9 890	2.31	12 010	2.34								
	55	1 720	1.39	2 430	1.64	3 270	1.88	4 280	2.11	5 480	2.32	6 880	2.50	8 500	2.64	10 370	2.74								
MTZ036	35	3 220	1.48	4 250	1.71	5 470	1.92	6 910	2.11	8 580	2.26	10 520	2.37	12 730	2.43	15 240	2.44								
	45	2 580	1.53	3 530	1.79	4 660	2.04	5 980	2.27	7 530	2.47	9 310	2.64	11 350	2.77	13 680	2.84								
	55	1 980	1.50	2 830	1.80	3 840	2.10	5 030	2.38	6 420	2.65	8 030	2.89	9 880	3.09	12 000	3.24								
MTZ040	35	4 160	1.67	5 290	1.94	6 610	2.20	8 160	2.43	9 950	2.63	12 000	2.78	14 340	2.89	16 980	2.93								
	45	3 120	1.68	4 190	1.99	5 440	2.28	6 900	2.56	8 590	2.82	10 530	3.04	12 740	3.22	15 250	3.35								
	55	2 230	1.60	3 220	1.95	4 380	2.29	5 740	2.63	7 320	2.96	9 130	3.25	11 200	3.51	13 550	3.73								
MTZ044	35	3 530	1.82	4 780	2.03	6 340	2.21	8 270	2.38	10 600	2.52	13 390	2.63	16 670	2.71	20 500	2.73								
	45	2 840	1.90	3 950	2.14	5 350	2.37	7 080	2.60	9 190	2.81	11 730	3.00	14 730	3.15	18 240	3.27								
	55	2 220	1.85	3 160	2.14	4 360	2.44	5 860	2.74	7 710	3.03	9 950	3.30	12 630	3.56	15 790	3.78								
MTZ045	35	3 630	1.60	4 990	1.81	6 630	1.98	8 580	2.12	10 890	2.23	13 590	2.31	16 710	2.37	20 290	2.42								
	45	2 790	1.60	4 030	1.89	5 520	2.14	7 290	2.34	9 380	2.51	11 820	2.64	14 650	2.74	17 900	2.82								
	55	1 910	1.46	3 030	1.86	4 360	2.21	5 940	2.51	7 800	2.76	9 970	2.97	12 500	3.13	15 420	3.27								
MTZ050	35	4 190	2.06	5 640	2.30	7 420	2.53	9 570	2.73	12 130	2.91	15 140	3.05	18 650	3.14	22 690	3.18								
	45	3 400	2.14	4 720	2.43	6 330	2.71	8 280	2.97	10 600	3.22	13 350	3.44	16 560	3.63	20 280	3.77								
	55	2 660	2.11	3 800	2.45	5 200	2.80	6 910	3.14	8 960	3.47	11 400	3.79	14 280	4.08	17 630	4.33								
MTZ051	35	3 720	1.88	5 170	2.08	6 920	2.24	9 020	2.38	11 500	2.49	14 420	2.57	17 800	2.63	21 690	2.66								
	45	3 090	1.97	4 460	2.25	6 110	2.49	8 080	2.69	10 400	2.87	13 120	3.01	16 280	3.12	19 910	3.20								
	55	2 320	1.96	3 570	2.33	5 070	2.66	6 860	2.96	8 970	3.21	11 450	3.44	14 330	3.62	17 660	3.78								
MTZ056	35	4 720	2.23	6 340	2.50	8 280	2.76	10 580	3.00	13 280	3.21	16 410	3.37	20 010	3.48	24 130	3.53								
	45	3 870	2.32	5 350	2.64	7 120	2.95	9 220	3.25	11 680	3.53	14 550	3.78	17 860	3.99	21 640	4.14								
	55	3 040	2.30	4 340	2.68	5 900	3.06	7 750	3.44	9 940	3.81	12 500	4.16	15 470	4.47	18 890	4.75								
MTZ057	35	4 270	2.16	5 970	2.43	8 020	2.66	10 480	2.85	13 390	3.00	16 790	3.12	20 730	3.20	25 260	3.25								
	45	3 420	2.20	5 010	2.56	6 910	2.87	9 170	3.15	11 850	3.38	14 970	3.57	18 590	3.72	22 750	3.84								
	55	2 450	2.12	3 900	2.59	5 630	3.01	7 670	3.38	10 080	3.71	12 900	4.00	16 170	4.24	19 940	4.44								
MTZ064	35	5 720	2.61	7 670	2.95	9 950	3.27	12 620	3.56	15 710	3.81	19 250	4.02	23 280	4.16	27 830	4.23								
	45	4 730	2.71	6 520	3.10	8 620	3.48	11 070	3.85	13 900	4.19	17 150	4.49	20 850	4.74	25 050	4.93								
	55	3 720	2.72	5 310	3.17	7 180	3.63	9 360	4.08	11 890	4.52	14 810	4.93	18 140	5.30	21 930	5.62								
MTZ065	35	4 900	2.36	6 790	2.64	9 090	2.89	11 830	3.10	15 070	3.27	18 850	3.42	23 220	3.55	28 220	3.66								
	45	4 040	2.42	5 820	2.81	7 950	3.15	10 480	3.44	13 440	3.69	16 890	3.91	20 870	4.09	25 430	4.24								
	55	2 990	2.33	4 650	2.86	6 600	3.32	8 890	3.73	11 560	4.08	14 670	4.39	18 250	4.66	22 350	4.89								
MTZ072	35	6 490	2.83	8 620	3.21	11 100	3.58	13 960	3.93	17 240	4.26	20 970	4.56	25 170	4.82	29 900	5.03								
	45	5 330	2.96	7 320	3.38	9 630	3.81	12 290	4.24	15 330	4.65	18 790	5.04	22 710	5.41	27 100	5.73								
	55	4 060	2.97	5 870	3.46	7 970	3.96	10 390	4.48	13 160	4.99	16 320	5.49	19 890	5.97	23 920	6.42								
MTZ073	35	5 730	2.68	7 870	3.01	10 430	3.31	13 470	3.58	17 030	3.81	21 190	4.00	25 980	4.16	31 460	4.27								
	45	4 670	2.78	6 680	3.19	9 060	3.58	11 880	3.93	15 170	4.25	19 000	4.54	23 420	4.78	28 490	4.99								
	55	3 520	2.79	5 360	3.30	7 520	3.78	10 060	4.24	13 040	4.66	16 500	5.05	20 500	5.40	25 100	5.72								
MTZ080	35	7 480	3.32	9 870	3.75	12 660	4.18	15 870	4.60	19 540	5.00	23 720	5.37	28 430	5.71	33 710	6.00								
	45	6 170	3.47	8 400	3.94	10 970	4.43	13 940	4.92	17 330	5.40	21 190	5.87	25 540	6.31	30 420	6.71								
	55	4 850	3.51	6 850	4.05	9 180	4.61	11 850	5.19	14 910	5.76	18 390	6.33	22 330	6.89	26 770	7.42								
MTZ081	35	6 640	3.03	8 990	3.40	11 840	3.73	15 250	4.05	19 280	4.34	23 990	4.64	29 450	4.93	35 710	5.23								
	45	5 540	3.17	7 710	3.63	10 310	4.06	13 410	4.46	17 070	4.82	21 370	5.17	26 350	5.51	32 080	5.85								
	55	4 400	3.17	6 350	3.78	8 680	4.33	11 450	4.84	14 720	5.31	18 570	5.75	23 040	6.17	28 220	6.57								
MTZ100	35	7 830	3.68	10 730	4.18	14 210	4.63	18 360	5.01	23 240	5.29	28 930	5.46	35 490	5.50	43 000	5.37								
	45	6 010	3.80	8 650	4.37	11 810	4.92	15 570	5.41	20 010	5.83	25 200	6.16	31 200	6.36	38 090	6.43								
	55	4 280	3.73	6 570	4.41	9 330	5.08	12 640	5.72	16 560	6.29	21 170	6.80	26 540	7.20	32 730	7.48								
MTZ125	35	9 800	4.26	13 360	4.87	17 650	5.45	22 780	5.99	28 810	6.46	35 860	6.85	43 990	7.13	53 310	7.30								
	45	7 680	4.33	10 880	5.02	14 740	5.71	19 340	6.37	24 780	6.98	31 140	7.53	38 510	7.99	46 990	8.35								
	55	5 720	4.21	8 450	5.01	11 770	5.83	15 740	6.63	20 480	7.41	26 050	8.14	32 560	8.81	40 090	9.40								
MTZ144	35	13 220	5.80	17 220	6.46	21 920	7.04	27 380	7.52	33 690	7.86	40 900	8.03	49 090	8.00	58 340	7.74								
	45	11 010	6.06	14 700	6.84	19 030	7.56	24 060	8.21	29 850	8.74	36 490	9.14	44 040	9.36	52 580	9.37								
	55	8 690	6.11	12 000	7.04	15 870	7.95	20 370	8.80	25 570	9.56	31 540	10.21	38 360	10.72	46 100	11.05								
MTZ160	35	14 820	6.28	19 240	7.05	24 410	7.77	30 410	8.42	37 310	8.99	45 190	9.43	54 110	9.74	64 160	9.88								
	45	12 270	6.52	16 380	7.40	21 180	8.26	26 740	9.07	33 120	9.82	40 410	10.48	48 690	11.02	58 010	11.43								
	55	9 550	6.52	13 270	7.54	17 600	8.57	22 620	9.58	28 400	10.55	35 020	11.46	42 550	12.27	51 060	12.97								
MTZ200	35	15 660	7.37	21 450	8.36	28 430	9.26	36 720	10.01	46 480	10.58	57 850	10.92	70 970	10.99	85 990	10.75								
	45	12 030	7.59	17 290	8.75	23 620	9.84	31 150	10.83	40 030	11.67	50 400	12.32	62 400	12.73	76 190	12.86								
	55	8 550	7.46	13 140	8.82	18 670	10.16	25 280	11.43	33 130	12.59	42 340	1												



DANFOSS

Compressors shipped with oil and under nitrogen pressure

Sold connections

These compressors are installed in 30RB and 30RQ units

Ordering Reference	Type	Capacity (L)	Suction sold connection size (inch)	Discharge sold connection size (inch)	Width X Length X Height (mm)	Weight (kg)	Voltage (V)
00PPG000470903A	SH 240	6,2	1-5/8 ODF	1-1/8 ODF	345,4 X 370,8 X 650	107	400/3/50
00PPG000471003A	SH 300	8	1-5/8 ODF	1-1/8 ODF	345,4 X 370,8 X 684	141	400/3/50
00PSG001482000A	SH090A4ALC	3	1-1/8 ODF	7/8 ODF	243 X 243 X 482	58	400/3/50
00PSG001482100A	SH105A4ALC	3,3	1-3/8 ODF	7/8 ODF	243 X 243 X 540	64	400/3/50
00PSG001482200A	SH120A4ALC	3,3	1-3/8 ODF	7/8 ODF	243 X 243 X 540	64	400/3/50
00PSG001482300A	SH140A-ALC	3,3	1-3/8 ODF	7/8 ODF	243 X 243 X 540	67	400/3/50
00PSG001482400A	SH161A4ALC	3,3	1-3/8 ODF	7/8 ODF	243 X 243 X 540	69	400/3/50
00PSG001482500A	SH184A4ALC	3,6	1-3/8 ODF	7/8 ODF	243 X 243 X 555	72	400/3/50



DANFOSS - R407C

Compressors shipped with oil and under nitrogen pressure

Working speed 2900 RPM on 50Hz

Ordering Reference	Type	Capacity (L)	Suction sold connection size (inch)	Discharge sold connection size (inch)	Width X Length X Height (mm)	Weight (kg)	Connection type	Voltage (V)
--DQ--12AL-002EE1	MTZ144HV4VE	3,9	1-1/8 ODF	3/4 ODF	352 X 352 X 540	67	ROTOLOCK	400/3/50
--DQ--12AL-011EE1	MTZ28JE4AVE	0,95	1/2 ODF	3/8 ODF	224 X 224 X 333	23	ROTOLOCK	400/3/50
--DQ--12BA-070--EE	MTZ100 HS 4	3,9	1-1/8	3/4	446 X 446 X 500	69,5	ROTOLOCK	400/3/50
--DQ--12BA-072--EE	MTZ125 HU 4	3,9	1-1/8	3/4	446 X 446 X 500	71	ROTOLOCK	400/3/50
--DQ--12BA-074EE1	MTZ160 HW4	3,9	1-1/8	3/4	450 X 450 X 500	72	ROTOLOCK	400/3/50
--DQ--12CA-001--EE	SZ110-4V	3,25	1-3/8	7/8	284 X 284 X 558	80,5	BRAZED	400/3/50
--DQ--12CA-002--EE	SZ120-4V	3,25	1-3/8	7/8	285 X 284 X 558	80,5	BRAZED	400/3/50
--DQ--12CA-003--E-	SZ115-4VA	3,8	1-3/8	7/8	284,2 X 369,1 X 581	80	BRAZED	400/3/50
--DQ--12CA-005--E-	SZ160-4CB	4	1-5/8	1-1/8	284,2 X 369,1 X 632	94	BRAZED	400/3/50
--DQ--12CA-006--E-	SZ185-4CA	6,2	1-5/8	1-1/8	345,4 X 370,8 X 678	103	BRAZED	400/3/50
--DQ--12CA-011--EE	SZ160-6CB	4	1-5/8	1-1/8	284,2 X 369,1 X 632	94	BRAZED	400/3/50
--DQ--12CA-012--EE	SZ185-6CA	6,2	1-5/8	1-1/8	345,4X370,8X678	103	BRAZED	230/3/50
--DQ--12CA-025--EE	SZ084-4V	3,25	1-1/8	3/4	284 X 284 X 508	71,5	BRAZED	400/3/50
--DQ--12CA-027--EE	SZ240-4AA	8	1-5/8	1-1/8	392 X 392 X 729	160	BRAZED	400/3/50
--DQ--12CA-028--EE	SZ300-4AA	8	1-5/8	1-1/8	393 X 392 X 740	160	BRAZED	400/3/50
--DQ--12CA-031--EE	SZ161TAVA	3,3	1-3/8	7/8	284 X 284 X 590	86	BRAZED	400/3/50
--DQ--12CA-032--EE	SZ185-4CB	6,2	1-5/8	1-1/8	345,4 X 370,8 X 678	103	BRAZED	400/3/50
--DQ--12CA-036--EE	SZ185-4PC	6,2	1-3/8	1-1/8	345,4 X 370,8 X 641,3	103	BRAZED	400/3/50



DANFOSS

Compressors shipped with oil and under nitrogen pressure

Compressors

Ordering Reference	Type	Capacity (L)	Suction sold connection size (inch)	Discharge sold connection size (inch)	Width X Length X Height (mm)	Weight (kg)	Voltage (V)	Connection type
--DQ--12BA-005EE1	MT80 HP 4 SR	1.95	1-1/8 ODF	3/4 ODF	295 X 295 X 403	44	400/3/50	ROTOLOCK
--DQ--12BA-014EE1	MT160 HW 4	3.9 L	1-1/8 ODF	3/4 ODF	352 X 352 X 500	72	400/3/50	ROTOLOCK
--DQ--12BA-015EE1	MT100 HS 4	1.8 L	1-1/8 ODF	3/4 ODF	353 X 352 X 500	69,5	400/3/50	ROTOLOCK
--DQ--12BA-016EE1	MT64 HM4SR	0.95 L	7/8 ODF	3/4 ODF	-	39,5	400/3/50	ROTOLOCK
--DQ--12BA-017EE1	MT32 JF4 SR	0.95 L	5/8 ODF	1/2 ODF	-	26,5	400/3/50	ROTOLOCK
--DQ--12BA-018EE1	MT40 JH 4SR	1.8 L	5/8 ODF	1/2 ODF	-	27,5	400/3/50	ROTOLOCK
--DQ--12BA-023EE1	MT56 HL 4 SR	3.9 L	7/8 ODF	3/4 ODF	-	39	400/3/50	ROTOLOCK
--DQ--12BA-024EE1	MT125 HU 4SR	1.8 L	1-1/8 ODF	3/4 ODF	-	71	400/3/50	ROTOLOCK
--DQ--12BA-027EE1	MT50 HK 4SR	0.95 L	7/8 ODF	3/4 ODF	-	39	400/3/50	ROTOLOCK
--DQ--12BA-028EE1	MT36 JG 4SR	0.95 L	5/8 ODF	1/2 ODF	-	27	400/3/50	ROTOLOCK
--DQ--12BA-031EE1	MT28 JE 4SR	1.8 L	1/2 ODF	3/8 ODF	-	25,5	400/3/50	ROTOLOCK
--DQ--12CA-015--E-	SM115-4CA	3.8	1-3/8	7/8	284,2 X 369,1 X 581	80	400/3/50	BRAZED
--DQ--12CA-017--E-	SM160-4CB	4	1-5/8	1-1/8	284,2 X 369,1 X 632	94	400/3/50	BRAZED
--DQ--12CA-018--E-	SM185-4CA	6.2	1-5/8	1-1/8	345,4 X 370,8 X 678	103	400/3/50	BRAZED

For other codes, please consult us

DANFOSS COMPRESSORS SPARE PARTS

ERCD Reference	Type	Application	Valves set	Gaskets set	Heaters					
					230V	WATTS	400V	WATTS	460V	WATTS
00PPG000470903A	120H0079	R410A	BRAZED	BRAZED	120Z0376	56	120Z0377	56	120Z0378	56
00PPG000471003A	120H0123	R410A	BRAZED	BRAZED	120Z0376	56	120Z0377	56	120Z0378	56
00PSG001482000A	SH090A4ALC	R410A	120Z0403	8156009	120Z0389	80	120Z0390	80	120Z0391	80
00PSG001482100A	SH105A4ALC	R410A	7703392	8156013	120Z0389	80	120Z0390	80	120Z0391	80
00PSG001482200A	SH120A4ALC	R410A	7703392	8156013	120Z0389	80	120Z0390	80	120Z0391	80
00PSG001482300A	SH140A4ALC	R410A	7703392	8156013	120Z0389	80	120Z0390	80	120Z0391	80
00PSG001482400A	SH161A4ALC	R410A	7703392	8156013	120Z0389	80	120Z0390	80	120Z0391	80
00PSG001482500A	SH184A4ALC	R410A	7703392	8156013	120Z0389	80	120Z0390	80	120Z0391	80
--DQ--12AL-001EE1	MTZ125-4VI	R404A/R134A/R407C	7703009	8156009	7773108	75	7773117	75	7773008	75
--DQ--12AL-002EE1	MTZ(144HV4VE)	R404A/R507A/R134A/R407C	7703009	8156009	7773108	75	7773118	75	120Z0464	75
--DQ--12AL-005EE1	MTZ80-4VI	R404A/R134A/R407C	7703009	8156009	0351501H63	65	7773118	65	7773006	50
--DQ--12AL-007EE1	MTZ 50HK 4 VE	R404A/R134A/R407C	7703006	8156009	0351501H63	65	7773118	65	7773006	50
--DQ--12AL-008EE1	MTZ40-4VI	R404A/R134A/R407C	7703005	8156009	7773106	54	7773013	54	7773111	54
--DQ--12AL-009EE1	MTZ36-4VI	R404A/R134A/R407C	7703005	8156009	7773106	54	7773013	54	7773111	54
--DQ--12AL-011EE1	MTZ28JE4AVE	R404A/R507A/R134A/R407C	7703004	8156009	7773106	54	7773013	54	-	-
--DQ--12AL-012EE1	MTZ22-4VI	R404A/R134A/R407C	7703004	8156009	7773106	54	7773013	54	7773111	54
--DQ--12BA-005EE1	MT80-4VI	R22	7703009	8156009	0351501H63	65	7773118	65	7773006	50
--DQ--12BA-014EE1	MT160-4VI	R22	7703009	8156009	7773108	75	7773118	75	7773008	75
--DQ--12BA-015EE1	MT100-4VI	R22	7703009	8156009	7773108	75	7773118	75	7773008	75
--DQ--12BA-016EE1	MT64-4VI	R22	7703006	8156009	0351501H63	65	7773118	65	7773006	50
--DQ--12BA-017EE1	MT32-4VI	R22	7703005	8156009	7773106	54	7773013	54	7773111	54
--DQ--12BA-018EE1	MT40-4VI	R22	7703005	8156009	7773106	54	7773013	54	7773111	54
--DQ--12BA-023EE1	MT56-4VI	R22	7703006	8156009	0351501H63	65	7773118	65	7773006	50
--DQ--12BA-024EE1	MT125-4VI	R22	7703009	8156009	7773108	75	7773118	75	7773008	75
--DQ--12BA-027EE1	MT50-4VI	R22	7703006	8156009	0351501H63	65	7773118	65	7773006	50
--DQ--12BA-028EE1	MT36-4VI	R22	7703005	8156009	7773106	54	7773013	54	7773111	54
--DQ--12BA-031EE1	MT28-4VI	R22	7703004	8156009	7773106	54	7773013	54	7773111	54
--DQ--12BA-070--EE	MTZ100-4VI	R404A/R134A/R407C	7703009	8156009	7773108	75	7773118	75	7773008	75
--DQ--12BA-072--EE	MTZ125-4	R407C	7703009	8156009	7773108	75	7773118	75	7773008	75
--DQ--12BA-074EE1	MTZ160-4VI	R404A/R134A/R407C	7703009	8156009	7773108	75	7773118	75	7773008	75
--DQ--12CA-001--EE	SZ110-4VI	R407C	BRAZED	BRAZED	0351501H63	65	120Z0039	65	7773006	50
--DQ--12CA-002--EE	SZ120-4VI	R407C	BRAZED	BRAZED	0351501H63	65	120Z0039	65	7773006	50
--DQ--12CA-003--E-	SZ115-4CAI	R407C	BRAZED	BRAZED	0351501H63	65	120Z0039	65	7773006	50
--DQ--12CA-005--E-	SZ160-4CBI	R407C	BRAZED	BRAZED	0351501H63	65	120Z0039	65	7773006	50
--DQ--12CA-006--E-	SZ185-4CAI	R407C	BRAZED	BRAZED	7773108	75	7773118	75	7773015	75
--DQ--12CA-009--EE	SZ115-6CAI	R407C	BRAZED	BRAZED	0351501H63	65	120Z0039	65	7773006	50
--DQ--12CA-011--EE	SZ160-6CBI	R407C	BRAZED	BRAZED	0351501H63	65	120Z0039	65	7773006	50
--DQ--12CA-012--EE	SZ185-6CAI	R407C	BRAZED	BRAZED	7773108	75	7773118	75	7773015	75
--DQ--12CA-014--EE	SM120-4VI	R22	BRAZED	BRAZED	0351501H63	65	120Z0039	65	7773006	50
--DQ--12CA-015--E-	SM115-4CAI	R22	BRAZED	BRAZED	0351501H63	65	120Z0039	65	7773006	50
--DQ--12CA-017--E-	SM160-4CBI	R22	BRAZED	BRAZED	0351501H63	65	120Z0039	65	7773006	50
--DQ--12CA-018--E-	SM185-4CAI	R22	BRAZED	BRAZED	7773108	75	7773118	75	7773015	75
--DQ--12CA-025--EE	SZ084-4VI	R407C	BRAZED	BRAZED	0351501H63	65	120Z0039	65	7773006	50
--DQ--12CA-027--EE	SZ240A4AAI	R407C	BRAZED	BRAZED	7773122	130	7773123	130	-	-
--DQ--12CA-028--EE	SZ300A4AAI	R407C	BRAZED	BRAZED	7773122	130	7773123	130	-	-
--DQ--12CA-031--EE	SZ161-4VAI	R407C	BRAZED	BRAZED	0351501H63	65	120Z0039	65	7773006	50
--DQ--12CA-032--EE	SZ185-4CBI	R407C	BRAZED	BRAZED	7773108	75	7773118	75	7773015	75
--DQ--12CA-033--EE	SZ185-4RI	R407C	7703010	8156013	7773108	75	7773118	75	7773015	75
--DQ--12CA-035--EE	SZ160-4RAI	R407C	7703010	8156013	0351501H63	65	120Z0039	65	7773006	50
--DQ--12CA-036--EE	SZ185-4PCI	R407C	BRAZED	BRAZED	7773108	75	7773118	75	7773015	75
--DQ--12CA-037--EE	SM161-4VAI	R22	BRAZED	BRAZED	0351501H63	65	120Z0039	65	7773006	50
--DQ--12CA-038--EE	SM185-4PCI	R22	BRAZED	BRAZED	7773108	75	7773118	75	7773015	75
MTZ64HM4VE	MTZ64-4VI	R404A/R134A/R407C	7703006	8156009	0351501H63	65	7773118	65	7773006	50
SM185S4RA	SM185-4RI	R22	7703010	8156013	7773108	75	7773118	75	7773015	75

For other codes, please consult us

DANFOSS COMPRESSORS SPARE PARTS

Reference ERCD	ERCD Oil Reference (2L drum)	Oil type	Sleeve / Acoustic cover	Mounting Kit (4 rubber Grommets, 4 sleeves, 4 bolts, 4 washers)	Terminal Box Kit
00PPG000470903A	7754024	160SZ	-	7777045	/
00PPG000471003A	7754024	160SZ	-	7777045	/
00PSG001482000A	7754024	160SZ	120Z0034	120Z0066	8156135
00PSG001482100A	7754024	160SZ	120Z0035	120Z0066	8156135
00PSG001482200A	7754024	160SZ	120Z0035	120Z0066	8156135
00PSG001482300A	7754024	160SZ	120Z0035	120Z0066	8156135
00PSG001482400A	7754024	160SZ	120Z0035	120Z0066	8156135
00PSG001482500A	7754024	160SZ	120Z0413	120Z0066	8156132
--DQ--12AL-001EE1	7754020	160PZ	7755003	8156007	8156135
--DQ--12AL-002EE1	7754020	160PZ	7755003	8156007	8156135
--DQ--12AL-005EE1	7754020	160PZ	7755002	8156001	8156134
--DQ--12AL-007EE1	7754020	160PZ	7755002	8156001	8156134
--DQ--12AL-008EE1	7754020	160PZ	7755001	8156001	8156134
--DQ--12AL-009EE1	7754020	160PZ	7755001	8156001	8156134
--DQ--12AL-011EE1	7754020	160PZ	7755001	8156001	8156134
--DQ--12AL-012EE1	7754020	160PZ	7755001	8156001	8156134
--DQ--12BA-005EE1	7754001	160P	7755002	8156001	8156134
--DQ--12BA-014EE1	7754001	160P	7755003	8156007	8156135
--DQ--12BA-015EE1	7754001	160P	7755003	8156007	8156135
--DQ--12BA-016EE1	7754001	160P	7755002	8156001	8156134
--DQ--12BA-017EE1	7754001	160P	7755001	8156001	8156134
--DQ--12BA-018EE1	7754001	160P	7755001	8156001	8156134
--DQ--12BA-023EE1	7754001	160P	7755002	8156001	8156134
--DQ--12BA-024EE1	7754001	160P	7755003	8156001	8156135
--DQ--12BA-027EE1	7754001	160P	7755002	8156001	8156134
--DQ--12BA-028EE1	7754001	160P	7755001	8156001	8156134
--DQ--12BA-031EE1	7754001	160P	7755001	8156001	8156134
--DQ--12BA-070--EE	7754001	160P	7755003	8156007	8156135
--DQ--12BA-072--EE	7754020	160PZ	7755003	8156007	8156135
--DQ--12BA-074EE1	7754020	160PZ	7755003	8156007	8156135
--DQ--12CA-001--EE	7754024	160SZ	7755010	8156138	8156135
--DQ--12CA-002--EE	7754024	160SZ	7755010	8156138	8156135
--DQ--12CA-003--E-	7754024	160SZ	7755009	8156146	8156139
--DQ--12CA-005--E-	7754024	160SZ	7755008	8156138	8156139
--DQ--12CA-006--E-	7754024	160SZ	7755007	8156138	8156139
--DQ--12CA-009--EE	7754024	160SZ	7755009	8156146	8156139
--DQ--12CA-011--EE	7754024	160SZ	7755008	8156138	8156139
--DQ--12CA-012--EE	7754024	160SZ	7755007	8156138	8156139
--DQ--12CA-014--EE	7754001	160P	7755010	8156138	8156135
--DQ--12CA-015--E-	7754001	160P	7755009	8156146	8156139
--DQ--12CA-017--E-	7754001	160P	7755008	8156138	8156139
--DQ--12CA-018--E-	7754001	160P	7755007	8156138	8156139
--DQ--12CA-025--EE	7754024	160SZ	7755011	8156138	8156135
--DQ--12CA-027--EE	7754024	160SZ	7755016	8156144	120Z0458
--DQ--12CA-028--EE	7754024	160SZ	7755016	8156144	120Z0458
--DQ--12CA-031--EE	7754024	160SZ	7755017	8156138	8156135
--DQ--12CA-032--EE	7754024	160SZ	7755007	8156138	8156139
--DQ--12CA-033--EE	7754024	160SZ	7755007	8156138	8156139
--DQ--12CA-035--EE	7754024	160SZ	7755008	8156138	8156139
--DQ--12CA-036--EE	7754024	160SZ	7755007	8156138	8156139
--DQ--12CA-037--EE	7754001	160P	7755017	8156138	8156135
--DQ--12CA-038--EE	7754001	160P	7755007	8156138	8156139
MTZ64HM4VE	7754020	160PZ	7755002	8156001	8156134
SM185S4RA	7754001	160P	7755007	8156138	8156139

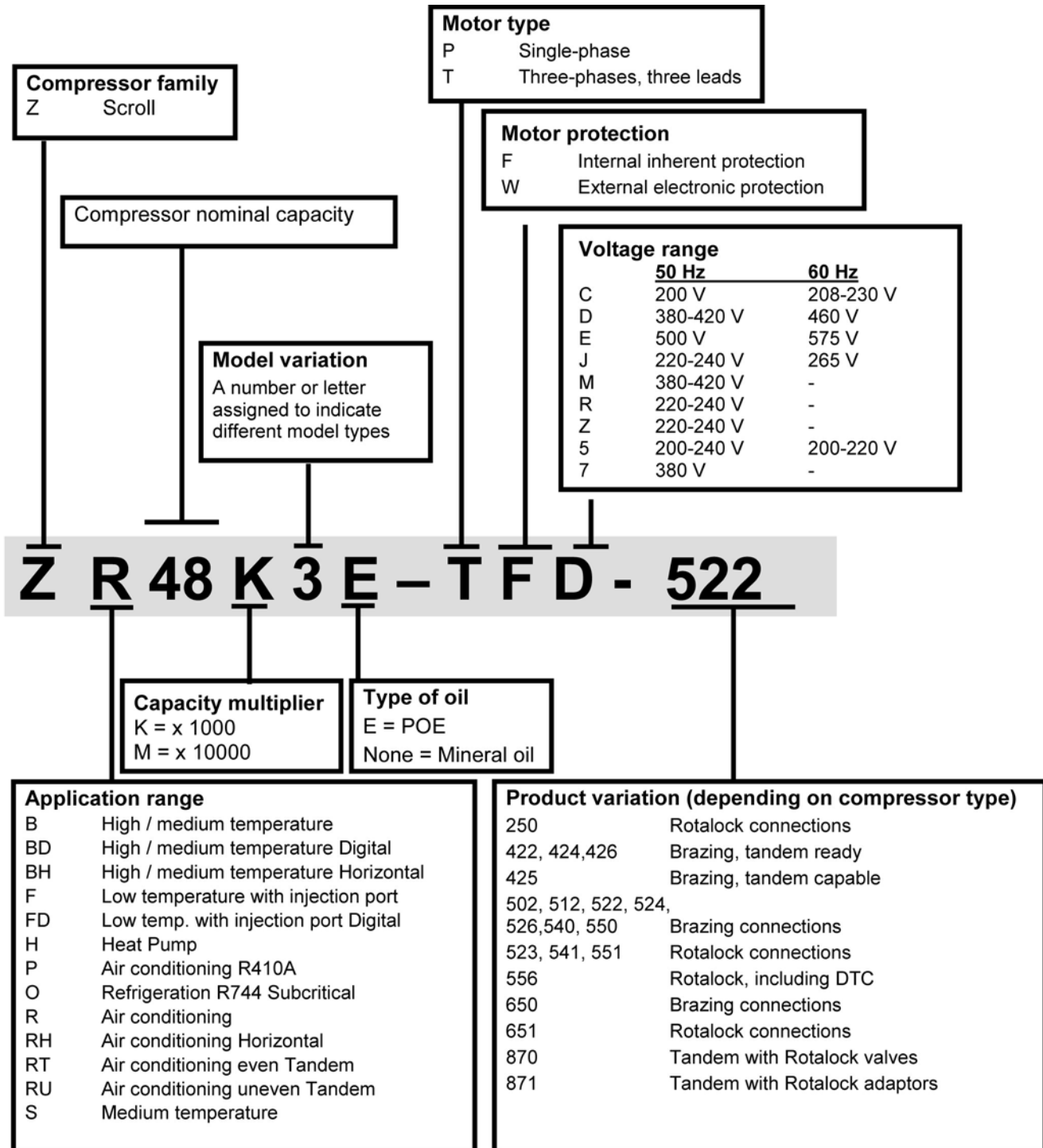
Compressors

For other codes, please consult us



COPELAND

Model designation





COPELAND

Compressors shipped with oil and under nitrogen pressure

Working speed 2900 RPM 50 Hz

Ordering reference	Type	Capacity (L)	Suction sold connection size (inch)	Discharge sold connection size (inch)	Width X Length X Height (mm)	Voltage (V)	Gasket
00PPG000461400A	ZP90KQ1-TFD-604	2,7	1-1/8	7/8	264 X 284 X 476	400	DOUBLE
00PPG000461500A	ZP103KQ1E-TFD-604	3,4	1-3/8	7/8	264 X 284 X 533	380-420	DOUBLE
00PPG000461600A	ZP120KQ1E-TFD-604	3,2	1-3/8	7/8	285 X 293 X 533	380-420	DOUBLE
00PPG000461700A	ZP137KQ1E-TFD-604	3,4	1-3/8	7/8	264 X 284 X 533	380-420	DOUBLE
00PPG000461800A	ZP154KQ1-TFD-604	3,4	1-3/8	7/8	264 X 284 X 552	380-420	DOUBLE
00PPG000461900A	ZP182KQ1-TFD-604	3,4	1-3/8	7/8	264 X 284 X 552	380-420	DOUBLE
0370620H07	ZP23K3ETFD	1,1	3/4	1/2	242 X 242 X 362	380-420	-
0370620H08	ZP26K3ETFD	1,1	3/4	1/2	242 X 242 X 362	380-420	-
0370620H16	ZP26K3E-PFJ-522	1,1	3/4	1/2	242 X 242 X 362	220 - 240	-
0370620H25	ZP32K3E-TFD-522	1,2	3/4	1/2	242 X 242 X 384	400	-
0370620H26	ZP36K3ETFD	1,2	7/8	1/2	242 X 242 X 421	380-420	-
0370620H27	ZP41K3ETFD	1,2	3/4	1/2	242 X 242 X 397	380-420	-
0370620H28	ZP54K3ETFD	2	7/8	1/2	242 X 242 X 440	380-420	-
0370620H29	ZP32K3E-PFJ-522	1,2	3/4	1/2	242 X 242 X 384	220 - 240	-
0370620H30	ZP41K3E-PFJ-522	1,2	3/4	1/2	242 X 242 X 397	220 - 240	-
0370620H31	ZP50K3E-TFD	1,9	22-7/32 (STUB)	12-11/16 (STUB)	250 X 245 X 455	380-420/3/50	-
0370620H32	ZP23K3E-PFJ-522	1,1	3/4	1/2	242 X 242 X 362	220 - 240	-
0370620H58	ZR72KCE-TF5	1,8	7/8	1/2	245 X 249 X 440	200-240	SINGLE
0370620H61	ZP120KCE-TFD	3,2	1-3/8	7/8	285 X 293 X 533	380-420	SINGLE
0370620H63	ZP90-KCE-TFD	2,7	1-3/8	7/8	264 X 284 X 476	400	SINGLE
0370620H64	ZP72KCE-TFD-522	1,8	7/8	1/2	245 X 249 X 440	400	SINGLE
0370620H65	ZP137-KCE-TFD	3,4	1-3/8	7/8	264 X 284 X 533	380-420	SINGLE
ZP235KCE-TWD-522	ZP235KCE-TWD	4,7	1-5/8	1-3/8	432 X 376 X 717	380-420/3/50	-
ZP295KCE-TWD-522	ZP295KCE-TWD	6,8	1-5/8	1-3/8	448 X 392 X 725	380-420/3/50	-
ZP385KCE-TWD-522	ZP385KCE-TWD	6,30	1-5/8	1-3/8	448 X 392 X 715	380-420/3/50	-
ZP485KCE-TWD-522	ZP485KCE-TWD	6,30	1-5/8	1-3/8	448 X 392 X 756	380-420/3/50	-



COPELAND

Compressors shipped with oil and under nitrogen pressure

Working speed 2900 RPM 50 Hz

Ordering reference	Type	Capacity (L)	Suction sold connection size (inch)	Discharge sold connection size (inch)	Width X Length X Height (mm)	Voltage (V)
00PPG000459300A	ZH24KVE-TWD-52X	4	1-3/8	7/8	366 X 321 X 525	380-420
00PPG000459400A	ZH33KVE-TWD-52X	4	1-3/8	7/8	368 X 321 X 525	380-420
00PPG000459500A	ZH40KVE-TWD-52X	4	1-3/8	7/8	368 X 321 X 532	380-420
00PPG000459600A	ZH48KVE-TWD-52X	4,1	1-5/8	1-1/8	368 X 323 X 579	380-420
0370620H10	ZR28K3TFD	1	3/4	1/2	242 X 242 X 363	380-420/3/50
0370620H14	ZR61KCE TFD 522	1.55	7/8	1/2	242 X 247 X 460	400/3/50
0370620H20	ZR48K3PFJ	1,4	7/8	1/2	242 X 242 X 417	220-240
0370620H68	ZH13KVE-PFJ-526	1,9	7/8	1/2	244 X 241 X 438	220-240
0370620H69	ZH13KVE-TFD-526	1,9	7/8	1/2	244 X 241 X 438	380-420
0370620H70	ZH18KVE-TFD-526	1,9	7/8	1/2	244 X 241 X 438	380-420
AM031684	ZR16M3E-TWD	4	1-3/8	7/8	268 X 360 X 545	380-420/3/50
--DQ--12AG-001--EE	ZR11M3E-TWD-551	4,1	1-3/4	1-1/4	319 X 357 X 544	380-420
--DQ--12EB-001--EE	ZR90K3ETWD561	4	1-3/4 ROTALOCK	1-1/4 ROTALOCK	319 X 357 X 542	400/3/50
--DQ--12EB-004--EE	ZR16M3ETWD561	4	1-3/4 ROTALOCK	1-1/4 ROTALOCK	319 X 357 X 550	400/3/50
ZR11M3E-TWD-961	ZR11M3E-TWD	4,1	1-3/4	1-1/4	357 X 319 X 525	380-420/3/50
ZR12M3E-TWD-961	ZR12M3E-TWD	4,1	1-3/4	1-1/4	357 X 319 X 525	380-420/3/50
ZR19M3E-TWD-961	ZR19M3E-TWD	4,1	2-1/4	1-3/4	349 X 321 X 579	380-420/3/50
ZR250KCE-TWD-523	ZR250KCE-TWD	4,70	1-5/8	1-3/8	432 X 376 X 717	380-420/3/50
ZR310KCE-TWD-523	ZR310KCE-TWD	6,80	1-5/8	1-3/8	448 X 392 X 715	380-420/3/50
ZR380KCE-TWD-523	ZR380KCE-TWD	6,30	1-5/8	1-3/8	447 X 427 X 724	380-420/3/50
ZR90K3E-TWD-961	ZR90K3E-TWD	4,1	1-3/4	1-1/4	357 X 319 X 525	380-420/3/50
ZR94KCETFD-522	ZR94KCE-TFD-425	2,7	1-1/8	7/8	264 X 285 X 476	400

COPELAND COMPRESSORS SPARE PARTS

Référence	Type	Application	Rotalock valves set with suction and discharge sold connection	Heaters						ERCD Oil Reference	Sleeve - acoustic cover
				240V	WATTS	120V	WATTS	480V	WATTS		
00PPG000459200A	ZH18KVE-TFD-52X	R407C	8034883	8561105	70	856116	70	8561092	70	RL32-3MAF	8540519 - 00PPG000459900A - 8559062
00PPG000459300A	ZH24KVE-TWD-52X	R407C	6309545	8561069	70	-	-	8561070	70	RL32-3MAF	8540519 - 8559380 - 8559073
00PPG000459400A	ZH33KVE-TWD-52X	R407C	6309545	8561069	70	-	-	8561070	70	RL32-3MAF	8540519 - 8559380 - 8559073
00PPG000459500A	ZH40KVE-TWD-52X	R407C	6309545	8561069	70	-	-	8561070	70	RL32-3MAF	8540519 - 8559380 - 8559073
00PPG000459600A	ZH48KVE-TWD-52X	R407C	8511928	8561069	70	-	-	8561070	70	RL32-3MAF	8540519 - 00PPG000459900A - 8559062
00PPG000461400A	ZP90KQ1-TFD-604	R410A	8401378	8561025	90	8561014	90	8561036	90	RL32-3MAF	8608895
00PPG000461500A	ZP103KQ1E-TFD-604	R410A	8547021	8561025	90	8561014	90	8561036	90	RL32-3MAF	8608908 - 8609150
00PPG000461600A	ZP120KQ1E-TFD-604	R410A	8547021	8561025	90	8561014	90	8561036	90	RL32-3MAF	8608908 - 8609150
00PPG000461700A	ZP137KQ1E-TFD-604	R410A	8547021	8561025	90	8561014	90	8561036	90	RL32-3MAF	8608908 - 8609150
00PPG000461800A	ZP154KQ1-TFD-604	R410A	8547021	8561025	90	8561014	90	8561036	90	RL32-3MAF	8608919 - 8609161
00PPG000461900A	ZP182KQ1-TFD-604	R410A	8547021	8561025	90	8561014	90	8561036	90	RL32-3MAF	8608919 - 8609161
0370620H07	ZP23K3ETFD	R410A	8025772	8561105	70	856116	70	8561092	70	RL32-3MAF	8537155
0370620H08	ZP26K3ETFD	R410A	8025772	8561105	70	856116	70	8561092	70	RL32-3MAF	8537155
0370620H10	ZR28K3TFD	R407C	8025772	8561105	70	8561116	70	8561092	70	RL32-3MAF	8562539 - 8562528
0370620H14	ZR61KCE TFD 522	R407C	8025772	8561105	70	8561116	70	8561092	70	RL32-3MAF	8540508
0370620H16	ZP26K3E-PFJ-522	R410A	8025772	8561105	70	856116	70	-	-	RL32-3MAF	8537155
0370620H20	ZR48K3PFJ	R407C	8025772	8561105	70	8561116	70	-	-	RL32-3MAF	8537155 - 8562573 - 8562562
0370620H25	ZP32K3E-TFD-522	R410A	8025772	8561105	70	856116	70	8561092	70	RL32-3MAF	8537155
0370620H26	ZP36K3ETFD	R410A	8025772	856234	40	8561138	40	856256	40	RL32-3MAF	8537155
0370620H27	ZP41K3ETFD	R410A	8025772	8561105	70	856116	70	8561092	70	RL32-3MAF	8537155
0370620H28	ZP54K3ETFD	R410A	8025772	8561105	70	856116	70	8561092	70	RL32-3MAF	8540508
0370620H29	ZP32K3E-PFJ-522	R410A	8025772	8561105	70	856116	70	-	-	RL32-3MAF	8537155
0370620H30	ZP41K3E-PFJ-522	R410A	8025772	8561105	70	856116	70	-	-	RL32-3MAF	8537155
0370620H31	ZP50K3E-TFD	R410A	-	8561105	70	8561116	70	-	-	RL32-3MAF	-
0370620H32	ZP23K3E-PFJ-522	R410A	8025772	8561105	70	8561116	70	-	-	RL32-3MAF	8537155
0370620H61	ZP120KCE-TFD	R410A	8547021	8561025	90	8561014	90	8561036	90	RL32-3MAF	8608908 - 8609150
0370620H63	ZP90-KCE-TFD	R410A	8401378	8561025	90	8561014	90	8561036	90	RL32-3MAF	8608895
0370620H65	ZP137-KCE-TFD	R410A	8547021	8561025	90	8561014	90	8561036	90	RL32-3MAF	8608908 - 8609150
0370620H68	ZH13KVE-PFJ-526	R407C	8034883	8561105	70	856116	70	8561092	70	RL32-3MAF	8540508
0370620H69	ZH13KVE-TFD-526	R407C	8034883	8561105	70	856116	70	8561092	70	RL32-3MAF	8540508
0370620H70	ZH18KVE-TFD-526	R407C	8034883	8561105	70	856116	70	8561092	70	RL32-3MAF	8540508
AM031684	ZR16M3E-TWD	R407C	6309545	8561069	70	8563349	70	8561070	70	RL32-3MAF	8540519 - 8559073 - 8559380
--DQ--12AG-001--EE	ZR11M3E-TWD-551	R407C	8502282	8561069	70	8566949	70	8561070	70	RL32-3MAF	8540519 - 8559073 - 8559380
ZR11M3E-TWD-961	ZR11M3E-TWD-961	R407C	8502282	8561069	70	8563349	70	8561070	70	RL32-3MAF	8540519 - 8559073 - 8559380
ZR12M3E-TWD-961	ZR12M3E-TWD-961	R407C	6309545	8561069	70	8563349	70	8561070	70	RL32-3MAF	8540519 - 8559073 - 8559380
ZR19M3E-TWD-961	ZR19M3E-TWD-961	R407C	8511928	8561069	70	8563349	70	8561070	70	RL32-3MAF	8540519 - 8559062 - 8559379
ZR250KCE-TWD-523	ZR250KCE-TWD-523	R407C	8041114	8055708	120	8051013	120	8051024	120	RL32-3MAF	8540406
ZR310KCE-TWD-523	ZR310KCE-TWD-523	R407C	8041114	8055753	140	8055764	140	8055742	140	RL32-3MAF	8540406
ZR380KCE-TWD-523	ZR380KCE-TWD-523	R407C	8041114	8055753	140	8055764	140	8055742	140	RL32-3MAF	8540406
ZR90K3E-TWD-961	ZR90K3E-TWD-961	R407C	6309534	8561069	70	8563349	70	8561070	70	RL32-3MAF	8540519
ZR94KCETFD-522	ZR94KCE-TFD-425	R407C	8401378	8561025	90	8561014	90	8561036	90	RL32-3MAF	8608895 - 8609149

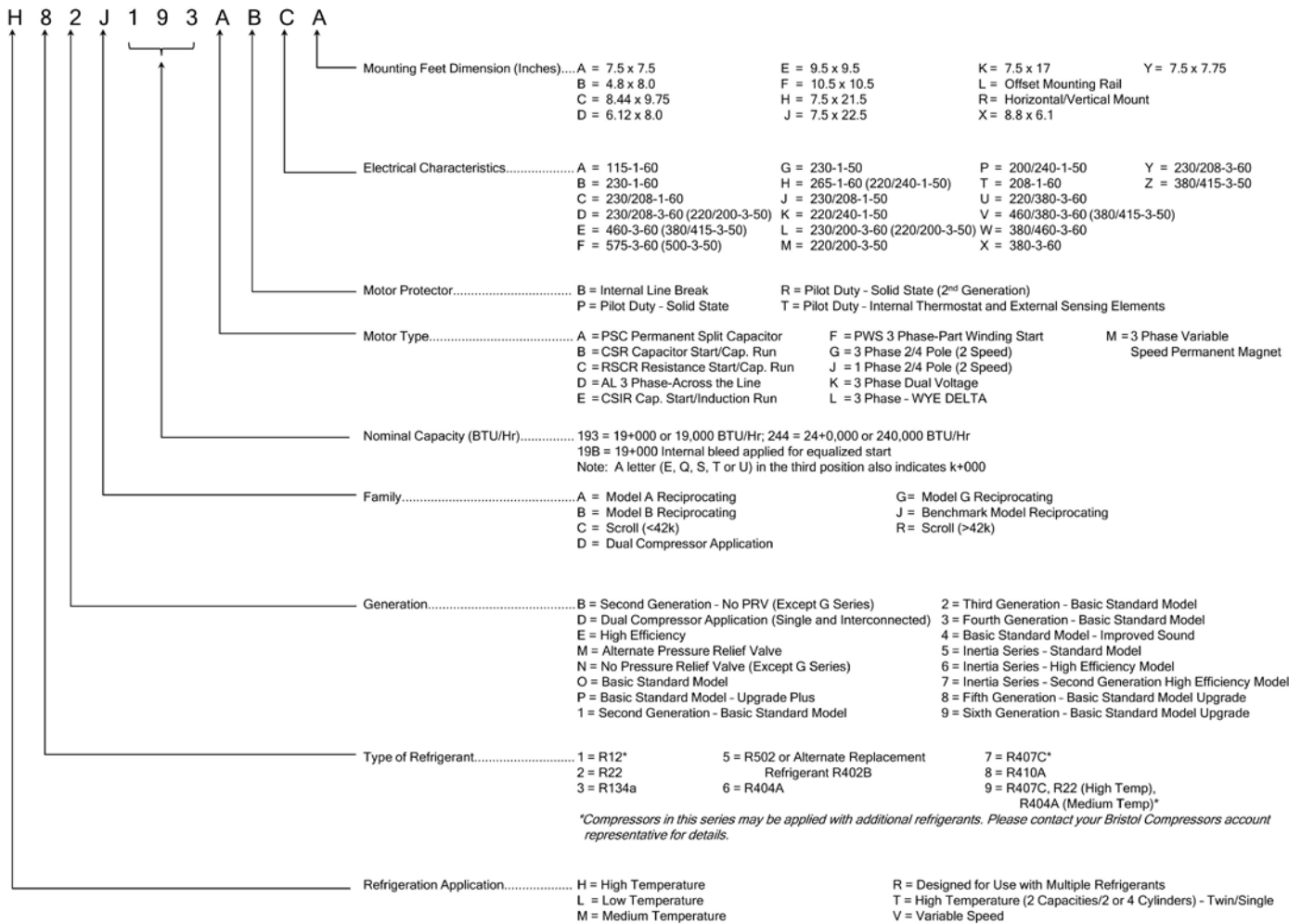
For other codes, please consult us



BRISTOL

Model designation

COMPRESSOR MODEL NUMBER SYSTEM





BRISTOL

Gasket set is included in the valves set

Ordering reference	Valves set				Heaters				Oil
	Suction		Discharge		230V	WATT	400V	WATT	
H29B30UABHA	BRAZED	-	BRAZED	-	CH280	40	-	100	SUNISO 3GS
H2EB293ABK	BRAZED	-	BRAZED	-	CH280	40	-	100	SUNISO 3GS
H29B17UABH	BRAZED	-	BRAZED	-	CH281	40	-	100	SUNISO 3GS
H2EB223ABK	BRAZED	-	BRAZED	-	CH282	40	-	100	SUNISO 3GS
H2EB243ABK	BRAZED	-	BRAZED	-	CH283	40	-	100	SUNISO 3GS
H23A623DBE	BRAZED	-	BRAZED	-	CH134	40	-	100	SUNISO 3GS
H29A723DBV	BRAZED	-	BRAZED	-	CH134	40	-	100	SUNISO 3GS
H2BG124DBE	ROTALOCK	1"3/4 - 1"1/8	ROTALOCK	1"1/4 - 7/8"	CH167	70	-	100	ZEROL 150T
H25G144DBE	ROTALOCK	1"3/4 - 1"1/8	ROTALOCK	1"1/4 - 7/8"	CH167	70	-	100	ZEROL 150T
H2NG184DPE	ROTALOCK	1"3/4 - 1"5/8	ROTALOCK	1"1/4 - 1" 1/8	CH147	100	CH147	100	ZEROL 150T
H2NG204DRE	ROTALOCK	1"3/4 - 1"5/8	ROTALOCK	1"1/4 - 1" 1/8	CH147	100	CH147	100	ZEROL 150T
H2NG244DRE	ROTALOCK	1"3/4 - 1"5/8	ROTALOCK	1"1/4 - 1" 1/8	CH147	100	CH147	100	ZEROL 150T
H2NG294DPE	ROTALOCK	1"3/4 - 1"5/8	ROTALOCK	1"1/4 - 1" 1/8	CH147	100	CH147	100	ZEROL 150T



BRISTOL

Gasket set is included in the valves set

Ordering reference	Valves set				Heaters				Oil
	Suction		discharge		230V	WATT	400V	WATT	
H73A383DBE	BRAZED OR ROTALOCK	1"1/4 - 7/8"	BRAZED OR ROTALOCK	1" - 1/2"	CH134	40	-	-	HATCOL 22BC
H73A423DBE	BRAZED OR ROTALOCK	1"1/4 - 7/8"	BRAZED OR ROTALOCK	1" - 1/2"	CH134	40	-	-	HATCOL 22BC
H73A623DBE	BRAZED OR ROTALOCK	1"1/4 - 7/8"	BRAZED OR ROTALOCK	1" - 1/2"	CH134	40	-	-	HATCOL 22BC
H79A723DBV	BRAZED OR ROTALOCK	1"1/4 - 7/8"	BRAZED OR ROTALOCK	1" - 1/2"	CH134	40	-	-	HATCOL 22BC
H7BG124DBE	ROTALOCK	1"3/4 - 1"1/8	ROTALOCK	1"1/4 - 7/8"	CH167	70	-	-	HATCOL 22A
H75G144DBE	ROTALOCK	1"3/4 - 1"1/8	ROTALOCK	1"1/4 - 7/8"	CH167	70	-	-	HATCOL 22A
H7NG184DPE	ROTALOCK	1"3/4 - 1"5/8	ROTALOCK	1"1/4 - 1" 1/8	CH147	100	CH147	100	HATCOL 22A
H7NG204DRE	ROTALOCK	1"3/4 - 1"5/8	ROTALOCK	1"1/4 - 1" 1/8	CH147	100	CH147	100	HATCOL 22A
H7NG244DRE	ROTALOCK	1"3/4 - 1"5/8	ROTALOCK	1"1/4 - 1" 1/8	CH147	100	CH147	100	HATCOL 22A
H7NG294DPE	ROTALOCK	1"3/4 - 1"5/8	ROTALOCK	1"1/4 - 1" 1/8	CH147	100	CH147	100	HATCOL 22A

EQUIVALENCE BOARD FOR HERMETICS
COMPRESSORS - MEDIUM AND HIGH TEMPERATURE
R407C FROM 1CV TO 25CV

Compressors

CV	BRISTOL	P. Froid (W)	U H	MANEUROP
Single Phased				
1,50	H79B17UABH	3 630	-	MTZ 18-5
1,50	H79B20UABH	4 297	AJ5518 C	MTZ 18-5
2,00	H79B24UABH	5 070	FH5524 C	-
2,25	H79B28UABH	5 996	FH5528 C	MTZ 28-5
2,50	H79B32UABH	6 863	-	MTZ 32-5
3,00	H73A383ABK	8 092	FH5538 C	MTZ 36-5
3,25	H73A423ABK	8 739	FH5542 C	-
Three-Phased				
2,00	H79B22UDBV	4 957	-	MTZ 22-4
2,25	H79B28UDBV	5 967	-	MTZ 28-4
2,50	H79B33UDBV	7 100	-	MTZ 32-4
3,00	H73A383DBE	7 843	TFH5538 C	MTZ 36-4
3,25	H73A423DBE	8 792	TAG5546 C	MTZ40-4
3,50	H73A463DBE	9 686	TFH5542 C	MTZ 44-4
4,00	H73A503DBE	10 543	TAG5553 C	MTZ 50-4
	H73A543DBE	11 483	-	MTZ 56-4
4,50	H73A623DBE	12 925	TAG5561 C TAG5568 C	MTZ 64-4
6,00	H79A723DBV	17 434	TAG5573 C	MTZ 72-4 / MTZ80-4
9,00	H7BG104DBE	22 855	-	MTZ 100-4
10,00	H7BG124DBE	26 659	-	MTZ 125-4
12,00	H75G144DBE	31 472	-	MTZ 144-4 / MTZ 160-4

Compressor Model Number Significance
06D COMPRESSORS

06DR 3 37 0 D A 36 5 A - (RP)**

Model = 0, Package = 1 or 9, A = Shipped Without Oil

Suction Cut-Off Unloading Designation for 06DR, DM Compressors:

- 0 = All Models Except as Noted
- 5 = No Oil
- 7 = 1 Unloader, Suction Cutoff, Oil-less (DR, DM Only)
- 8 = 2 Unloaders

Electrical Characteristics (XL Start Only, Unless Noted):

High Efficiency Models	Standard Efficiency Models	
31 = 575-3-60	01 = 575-3-60	12 = 208/230-3-60
32 = 208/230-3-60	04 = 200-3-60	13 = 380-3-60
33 = 208/230-1-60	05 = 230-3-60	14 = 200-3-60 (PW)
34 = 220-3-50	06 = 400/460-3-50/60	15 = 230-3-60 (PW)
36 = 400/460-3-50/60	08 = 220-3-50	18 = 220-3-50 (PW)

Electrical Variables:

- A = With Internal Thermostat and External Overloads
- C = With Internal Thermostat and Without External Overloads

Suction Service Valve – Variables:

Location, Orientation and Mounting Bolts

Compressor Identification Key:

- 0 = New Compressor
- 2 = New Compressor
- 3 = New Compressor
- 6 = Service Compressor, Remanufactured
- 7 = Service Compressor, New Manufactured
- 8 = New Compressor, Special
- 9 = Service Compressor, Special

Displacement (CFM at 1750 rpm)

Motor Size – (Does Not Signify Horsepower)

Compressor Type:

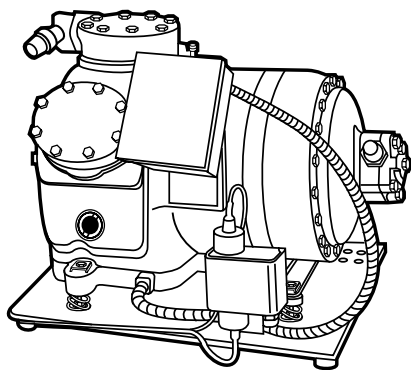
- | | | |
|------------------------------|---------------|-----------------------------|
| 06DA = Compressor – A/C Duty | No Unloading | } Hot Gas Bypass Unloading |
| 06DB = Compressor – A/C Duty | 1-Step Elec. | |
| 06DC = Compressor – A/C Duty | 2-Step Elec. | } Suction Cut-Off Unloading |
| 06DD = Compressor – A/C Duty | 1-Step Press. | |
| 06DE = Compressor – A/C Duty | 2-Step Press. | } Suction Cut-Off Unloading |
| 06DF = Compressor – A/C Duty | 1-Step Elec. | |
| 06DG = Compressor – A/C Duty | 2-Step Elec. | } Suction Cut-Off Unloading |
| 06DH = Compressor – A/C Duty | 1-Step Press. | |
| 06DJ = Compressor – A/C Duty | 2-Step Press. | |
- 06DM = Compressor Refrig. Duty Medium Temperature
 - 06DR = Compressor Refrig. Duty Low Temperature
 - 06DM = Service Compressor – Replacement for new 06DA, DM without Unloading
 - 06DS = Service Compressor – Replacement for new 06DF,G,H and J with suction cut-off unloading. Compressor has 1-Stage suction cut-off unloading
 - 06DX = Service Compressor – Replacement for new 06DB, C, D, and E with hot gas (bypass) unloading. Compressor has 1-stage of bypass unloading



CARLYLE

06D Compressors technical datas

06D CARLYLE SEMI-HERMETIC COMPRESSORS
AIR CONDITIONING DUTY COMPRESSOR APPLICATION DATA



MODEL NO.	NOMINAL HP	NO. OF CYL.	CFM @ 1750 RPM	SUCTION TEMP. RANGE (°F)	R-22	
					CAPACITY (000 BTUH)	
					AIR COOLED 45° SST 130° SCT 0° SC	WATER COOLED 40° SST 105° SCT 0° SC
06DM808	3	2	8.0	-10 to 50	36.7	39.8
06D()313	5	4	13.1	-10 to 50	56.9	62.7
06D()818	6.7	6	18.3	-10 to 50	83.3	91.0
06D()724	6.7	6	23.9	-10 to 50	-	122.6
06D()824	8	6	23.9	-10 to 50	106.5	117.3
06D()328	10	6	28.0	-10 to 50	128.7	140.0
06D()337	10	6	37.1	-10 to 50	-	185.6
06D()537	15	6	37.1	-10 to 50	175.4	191.3

APPLICATION DATA HIGH AND MEDIUM TEMPERATURE R134A

HP	Displacement m ³ /h	Cooling capacity Watts Evaporating temp.				Model reference
		0°C	-5°C	-7°C	-10°C	
2	12.31	5480	4320	3990	3350	06DR109
3	18.54	7620	5900	5410	4460	06DR103
5	22.5	10030	7950	7380	6620	06DR316
5	25.9	11880	9420	8740	7380	06DR718
6.5	28.3	13140	10480	9740	8220	06DR820
6.5	33.83	15440	12030	11070	9190	06DR725
7.5	39.63	18020	14440	13450	11390	06DR228
10	52.51	24370	19720	18450	15720	06DR337

APPLICATION HIGH TEMPERATURE R407C

HP	Displacement m ³ /h	Cooling capacity Watts Evaporating temp.				Model reference
		7°C	5°C	0°C	-5°C	
5	18.54	15500	14210	12290	8800	06DM313
6.5	25.9	22460	20640	16550	12030	06DA818
7.5	33.83	29160	26720	21250	16580	06DA825
10	39.63	34590	31790	25560	20320	60DA328
15	52.51	45990	42470	34480	27560	06DA537

APPLICATION DATA LOW TEMPERATURE R22

HP	Displacement m ³ /h	Cooling capacity Watts Evaporating temp.				Model reference
		-20°C	-25°C	-30°C	-35°C	
2	12.31	3630	2750	1970	1240	06DR109
3	18.54	5520	4260	3150	2120	06DR013
5	22.5	6740	5260	3980	2750	06DR316
5	25.9	7810	6150	4710	3380	06DR718
6.5	28.3	9150	7180	5530	4050	06DR820
6.5	33.83	10070	7750	5820	4130	06DR725
7.5	39.63	12060	9270	6940	4930	06DR228
10	52.51	16870	12970	9480	6240	06DR338
15	58.03	18340	14280	10670	7220	06DR541

APPLICATION DATA HIGH AND MEDIUM TEMPERATURE R404 / R507A

HP	Displacement m ³ /h	Cooling capacity Watts Evaporating temp.				Model reference
		0°C	-5°C	-7°C	-10°C	
3	11.32	8150	6560	6150	5190	06DM808
5	18.54	12850	10210	9510	7930	06DM313
5	22.5	16900	13980	13260	11410	06DR316
6.5	25.9	18750	15070	14120	11890	06DA818
6.5	28.3	22460	18600	17670	15240	06DR820
6.5	33.83	25890	21160	19990	17090	06DR725
7.5	33.83	24240	19340	18770	15140	06DA825
7.5	39.63	31140	25690	24380	20980	06DR228
10	39.63	28910	23330	21940	18610	06DA328
10	52.51	41290	34030	32280	27780	06DR337
10	52.51	39530	32240	30460	26040	06DM337
15	52.51	39290	32070	30290	25860	06DA537
15	58.03	4090	36340	34480	29680	06DR541

APPLICATION DATA LOW TEMPERATURE R404 / R507A

HP	Displacement m ³ /h	Cooling capacity Watts Evaporating temp.				Model reference
		-20°C	-25°C	-28°C	-35°C	
2	12.31	3900	3040	2360	1750	06DR109
3	18.54	5210	3870	2900	1920	06DR013
5	22.5	7260	5610	4300	3040	06DR316
5	25.9	8740	6890	5350	3950	06DR718
6.5	28.3	9820	7650	5890	4250	06DR820
6.5	33.83	10700	8240	6280	4360	06DR725
7.5	39.63	13490	10610	8210	5890	06DR228
10	52.51	17330	13740	10770	8320	06DR337
15	58.03	19230	15210	11890	9040	06DR241

CARLYLE

06D Compressors technical datas

REQUIRED ACCESSORIES - 06D

COMPRESSOR MODEL NO.	TERMINAL BOX KIT	SUCTION SERVICE VALVE KIT	ALTERNATE SUCTION SERVICE VALVE KIT	DISCHARGE SERVICE VALVE KIT	ALTERNATE DISCHARGE SERVICE VALVE KIT	OPTIONAL ACCESSORIES	
						SUSPENSION KIT	PLATE KIT
06DR109	06DA660075	06DA660061	-	06DA660060	06DA660059 06DA660061	06DA660058	06EA660096
013	↓	-	-	↓	↓	↓	↓
316		06DA660064	-				
718		06DA660064	-				
820		06DA660065	06EA660090				
724		06DA660065	06EA660090				
228		06DA660065	06EA660090				
337		06EA660090	-				
06DM808	06DA660075	06DA660061	-	06DA660060	06DA660059 06DA660061	06DA660058	↓
809	↓	-	-	↓	↓	↓	
()313		06DA660061	-				
()316	06DA660078	06DA660064	-	↓	↓	↓	
518	06DA660062	06DA660064					
()818	06DA660078	06DA660064	-	06DA660061	-	06DA660056	
06D()724	↓	06DA660064	-	06DA660061	-	06DA660056	
()824		06DA660063**	06DA660065**	06DA660062	06DA660064	06DA660057	
		-	06EA660090**	-	-	↓	
		06DA660064*	-	-	-		
		06DA660063**	06DA660065**	06DA660062	06DA660064		
		-	06EA660090**	-	-		
06DA660064*		-	-	-			
()328	06EA660065	06EA660090	06DA660064	-			
()337	06DA660065	06EA660090	06DA660064	-			
()537	06DA660065	06EA660090	06DA660064	-			

* = 2 Bolt ** = 4 Bolt



CARRIER

Compressors shipped without oil and under nitrogen pressure

Manufactured by Carlyle USA

All references published on the compressor model designation are available. Please contact us for further information.

Ordering reference	Capacity (L)	Cylinder	Weight (kg)	Voltage (V)	Type
06DA3282BA325A--S	3,79	6	143	280/230/3/60	NEWMAN
06DA3282BA-365A-S	4,73	6	150	400/3/50 - 460/3/60	NEWMAN
06DA5370BA3801--S	4,73	6	145	400/3/50	NEWMAN
06DA5372BA0657--S	4,73	6	145	400/3/50 - 460/3/60	NEWMAN
06DA5372BA-065A-S	4,73	6	145	400/3/50 - 460/3/60	NEWMAN
06DA8182AA-365A-S	3,31	4	123	400/3/50 - 460/3/60	NEWMAN
06DA8252BA315A	3,79	6	143	575/3/60	NEWMAN
06DA8252BA-325A-S	3,79	6	143	208/230/3/60	NEWMAN
06DA8252BA-365A-S	3,79	6	143	400/460/3/50/60	NEWMAN
06DD5370BC0601--S	4,73	6	145	400/3/50 - 460/3/60	NEWMAN
06DM3130CA-365A--S	2,36	4	150	208/3/60 - 230/3/60	NEWMAN
06DM3160CA365A--S	2,13	4	107	400/460/3/50/60	NEWMAN
06DM3370DA365A	3,79	6	147	400/460/3/50/60	NEWMAN
06DM3370DA3857--S	4,73	6	140	415/3/50	NEWMAN
06DM5377BC1200--S	4,73	6	145	208/3/60 230/3/60	NEWMAN
06DM8080GA-365A-S	1,42	2	73	400/460/3/50/60	NEWMAN
06DM8186AC065A	3,31	4	120	400/3/50 - 460/3/60	REMAN
06DM8187AC0600--S	3,31	4	150	400/3/50 - 460/3/60	NEWMAN
06DM8187AC1200--S	3,31	4	150	208/3/60 - 230/3/60	NEWMAN
06DR0130CA-365A--S	2,13	4	104	400/460/3/50/60	NEWMAN
06DR1090GA365A	1,42	2	73	400/460/3/50/60	NEWMAN
06DR2280DA365A	3,79	6	143	400/460/3/50/60	NEWMAN



CARRIER

Compressors shipped without oil and under nitrogen pressure

Manufactured by Carlyle USA

All references published on the compressor model designation are available. Please contact us for further information

Ordering reference	Capacity (L)	Cylinder	Weight (kg)	Voltage (V)	Type
06DM8186AC065A	3,31	4	120	400/3/50 - 460/3/60	REMAN
06DR3160CA-365A-S	2,13	4	107	400/460/3/50/60	NEWMAN
06DR3160CA367A--S	2,13	4	107	400/460/3/50/60	NEWMAN
06DR3370DA-325A-S	3,79	6	147	208/230/3/60	NEWMAN
06DR3370DA-365A-S	4,73	6	140	400/3/50 - 460/3/60	NEWMAN
06DR3370DC325A	3,79	6	147	208/230/3/60	NEWMAN
06DR5410DA-065A-S	3,79	6	147	400/460/3/50/60	NEWMAN
06DR7180DA325A	2,6	4	113	208/230/3/60	NEWMAN
06DR7180DA-365A--S	2,6	4	113	400/460-3-50/60	NEWMAN
06DR7250DA-315A--S	3,79	6	141	575/3/60	NEWMAN
06DR7250DA-365A	3,79	6	141	400/460-3-50/60	NEWMAN
06DR8200DA-365A-S	2,60	4	118	400/460-3-50/60	NEWMAN
06DS5376BC1200--S	4,73	6	150	208/3/60 - 230/3/60	REMAN
06DS5376BC365ARP	4,70	6	150	400/3/50	REMAN
06DS8246BC365ARP	4,73	6	210	400/3/50 - 460/3/60	REMAN
06DX3286BC065A	4,73	6	150	400/3/50 - 460/3/60	REMAN
06DX3287BC0600--S	4,73	6	150	400/3/50 - 460/3/60	NEWMAN
06DX3376BC0600--S	4,73	6	140	400/3/50 - 460/3/60	REMAN
06DX5376BC065A	4,73	6	150	400/3/50 - 460/3/60	REMAN
06DX5376BC1200--S	4,73	6	150	208/3/60 - 230/3/60	REMAN
06DX5376BD1500--S	4,73	6	150	230/3/60	REMAN
06DX7246AC065A	4,73	6	136	400/3/50 - 460/3/60	REMAN
06DX8246AC065A	4,73	6	140	400/3/50 - 460/3/60	REMAN
06DX8246BC065A	4,73	6	140	400/3/50 - 460/3/60	REMAN



CARRIER

06D Compressors spare parts

Ordering Reference	Description
000000000000801013	FEMALE CONNECTOR / CONNECTEUR FEMELLE
06DA-401---782--S	CRANKSHAFT
06DA-401---842--EE	OIL PRESSURE REGULATOR
06DA-402---133--C	SUCTION FILTER
06DA-402---283--S	COVER
06DA-403---813--S	BEARING HEAD ASSEMBLY
06DA-404---233--S	SENSOR
06DA-404---674R6S	VALVE PLATE ASSY
06DA-404---944--S	CYLINDER HEAD
06DA-408---824--C	SOLENOID VALVE
06DA-408---824-OEM	SOLENOID VALVE
06DA-500---051--C	RING
06DA-500---061--C	SPRING
06DA-500---512EE-B	TERMINAL BOX
06DA-501---032C--D	COVER
06DA-502---322--C	CHECK VALVE
06DA-502---323--S	SPACER
06DA-502---333-OEM	SPACER
06DA-502---342--C	CHECK VALVE
06DA-502---343--S	SCREW
06DA-502---763--C	SCREW (MULT 6)
06DA-502---903-OEM	SUCTION CHECK VALVE
06DA-502---913-OEM	CHECK VALVE
06DA-502---923--S	GASKET
06DA-502---953--C-	SPRING
06DA-502---953-OEM	SPRING
06DA-502---963--C	VALVE BODY
06DA-502---973-OEM	COVER
06DA-502---983--C	GASKET
06DA-502---983-OEM	GASKET
06DA-503---013--S	COUNTERWEIGHT
06DA-503---022-OEM	HEXAGONAL NUT (MULT 100)
06DA-503---022--S	HEXAGONAL NUT (MULT 100)
06DA-503---033--S	CONNECTING ROD SCREW
06DA-503---073--C-	PISTON
06DA-503---083-OEM	GASKET
06DA-503---102--S	WASHER
06DA-503---262--C	NUT
06DA-503---313--S	STUD
06DA-503---633--C	PUMP SIDE BEARING

For other codes, please consult us



CARRIER

06D Compressors spare parts

Ordering Reference	Description
06DA-503---643--C	MOTOR SIDE BEARING
06DA-503---664C--B	TERMINAL BLOCK
06DA-503---674C--B	PHASE BARRIER
06DA-503---712--C-	RELIEF VALVE SPRING
06DA-503---823--S	PUMP ROTOR
06DA-503---943-OEM	BACKER VALVE
06DA-504---053--S	COUNTERWEIGHT
06DA-504---113--S	GASKET
06DA-504---123-OEM	TERMINAL PLATE GASKET
06DA-504---133--S	OIL PUMP GASKET (MULT 30)
06DA-504---153--S	GASKET (METAL + PLASTIC)
06DA-504---163--S	GASKET
06DA-504---494--S	CRANKSHAFT
06DA-504---503--S	COUNTERWEIGHT
06DA-504---513--S	COUNTERWEIGHT
06DA-504---614-OEM	CYLINDER HEAD
06DA-504---614--S	CYLINDER HEAD
06DA-504---794--C	PISTON
06DA-504---874--S	CRANKSHAFT
06DA-504---884--S	CRANKSHAFT
06DA-507---452-OEM	BUSHING TERMINAL
06DA-507---564--S	GASKET
06DA-507---674-OEM	TERMINAL PLATE
06DA-508---284--S	VALVE PLATE
06DA-508---304-OEM	VALVE PLATE
06DA-508---304--S	VALVE PLATE
06DA-508---424--S	VALVE PLATE
06DA-508---654--S	CRANKSHAFT
06DA-508---684--S	STRAP
06DA-605---604--S	MUFFLER
06DA-605---614--S	MUFFLER
06DA-660---041--S	CONNECTING ROD
06DA-660---042--S	CONNECTING ROD
06DA-660---043--S	ADAPTER
06DA-660---047--S	CONNECTING ROD
06DA-660---055--S	THERMOSTAT
06DA-660---056--S	MOUNTING KIT
06DA-660---057--C	MOUNTING KIT
06DA-660---058--S	MOUNTING KIT
06DA-660---060--S	COMPRESSOR VALVE

For other codes, please consult us

www.carrier-ercd.com



CARRIER

06D Compressors spare parts

Ordering Reference	Description
06DA-660---061--S	SUCTION & DISCHARGE VALVE KIT
06DA-660---062--S	SUCTION & DISCHARGE VALVE KIT
06DA-660---063--S	COMPRESSOR VALVE
06DA-660---064--C	SUCTION & DISCHARGE VALVE KIT
06DA-660---065--C	SUCTION VALVE KIT
06DA-660---066--S	PISTON 020 + PIN PACKAGE
06DA-660---075--S	TERMINAL BOX PACKAGE
06DA-660---076--S	CRANKCASE HEATER
06DA-660---078--S	TERMINAL BOX PACKAGE
06DA-660---086--S	ROD
06DA-660---087--S	ROD PACKAGE 010 0.S
06DA-660---088--S	TERMINAL BOX + COVER
06DA-660---089--C	CYLINDER HEAD (ELECTRIC UNLOADER)
06DA-660---090--C	CYLINDER HEAD (PRESSURE UNLOADER)
06DA-660---091--S	HEATER
06DA-660---092--C	CRANKCASE HEATER
06DA-660---095--S	TERMINAL PACKAGE
06DA-660---102--S	STATOR LOCKING KIT
06DA-660---105--S	BAFFLE PACKAGE
06DA-660---108--S	PISTON
06DA-660---111--S	REWORK KIT
06DA-660---115--S	TRANSDUCER KIT
06DA-660---122--S	PISTON + PIN PACKAGE
06DA-660---123--S	PISTON
06DA-660---125--S	PISTON PACKAGE
06DA-660---126--S	OIL PUMP
06DA-660---133--S	PISTON PACKAGE
06DA-660---134--S	TERMINAL PLATE
06DA-660---145--S	PISTON AND PIN ASSEMBLY
06DA-660---151--S	VALE PLATE PACKAGE
06DA-660---152--S	VALVE PLATE PACKAGE
06DA-680---053--S	GASKET
06DA-680---063--S	GASKET
06DA-680---070--S	CYLINDER HEAD FAN ASSEMBLY
06DA-680---072--S	COOLING FAN 208/230V
06DA-900---072--S	INTER CONNECTING PACKAGE
06DD-127---624--S	COMPRESSOR MOTOR
06DD-138---624--S	COMPRESSOR MOTOR
06DR-660---026--S	PISTON
06DR-660---027--S	PISTON PACKAGE



CARRIER

06D Compressors spare parts

Ordering Reference	Description
06DR-660---028--S	PISTON
06DR-660---029--S	PISTON
06DR-660---030--S	PISTON
06DR-660---031--S	CONNECTING ROD PACKAGE
06DR-660---034--S	PISTON 020 + PIN PACKAGE
06DR-660---037--S	PISTON 020 + PIN PACKAGE
06DR-660---040--S	PISTON
06DR-660---047--S	PISTON
06DR-660---051--S	PISTON + PIN PACKAGE
06DR-660---053--S	PISTON + PIN PACKAGE
06DX-127---624--S	MOTOR
06DX-127---634--S	MOTOR
06DX-138---624--S	MOTOR
06EA-660---090--S	SUCTION VALVE KIT
06EA-660---135--S	ELECTRIC UNLOADER KIT
38AQ-680---001--S	CONTACT GREASE
6 D 23 122	TUBE
-6-D--12--400023EF	CONNECTING ROD
-6-D--12--660041EE	CRANKSHAFT
-6-D--23--1094--S	SHAFT
-6-D--23---112--S	STRAINER
-6-D--23---122--S	TUBE
-6-D--23--1421--C	GASKET (MULT 12)
-6-D--24--1094--S	CRANKSHAFT
-6-D--40--1012--C	BEARING
-6-D--40--1021--C	SPRING (MULT 12)
-6-D--40--1021-OEM	SPRING
-6-D--40--1031--C	SPRING
-6-D--40---103-OEM	SCREEN
-6-D--40--1051--C	VANE
-6-D--40--1091---E	WASHER (MULT 12)
-6-D--40--1112---E	SPRING
-6-D--40--1131-OEM	VALVE GASKET (MULT 12)
-6-D--40--1171--S	OIL CHECK VALVE
-6-D--40--1181--C-	SPRING GUIDE (MULT 50)
-6-D--40--1181-OEM	SPRING GUIDE
-6-D--40--1241--C	PISTON
-6-D--40---162--C	VALVE
-6-D--40--2163-E-W	CYLINDER HEAD
-6-D--40--2543--S	RING +0.02 (MULT 12)

For other codes, please consult us

www.carrier-ercd.com



CARRIER

06D Compressors spare parts

Ordering Reference	Description
-6-D--40--2553--S	RING +0.02 (MULT 12)
-6-D--43--1651--C	RING (MULT 12)
-6-D--43--1661-OEM	AXLE
-6-D--43---172--S	GASKET SET
-6-D--43---962--S	PISTON
-6-D--44---962--S	PISTON
-6-D--45--1072--C	SUCTION CHECK VALVE
-6-D--48--1072--C	CHECK VALVE (MULT 2)
-6-D--48---122--C	TUBE
-6-D--48---303--S	STRAINER
-6-D--48---403--S	CRANKSHAFT
-6-D--63---122--S	TUBE
-6-D--68--1023-E-W	CYLINDER HEAD
-6-D--68--1024-E-W	COVER
-6-D--68--1274-E-A	BOTTOM COVER PLATE
-6-D--68--1442--S	CONNECTING ROD
-6-D--68--1491-OEM	COMP THRUST WASHER
-6-D--68--1621--S	COUNTERWEIGHT
-6-D--68--2153--S	TUBE
-6-D--73---122--S	TUBE
-6-D--73--1971---E	CROSS BAR
-6-D--73--2241-OEM	GROMMET
-6-D--75--1204--S	CYLINDER HEAD
-6-D--75---122--S	TUBE
-6-D--75---161---E	PISTON PACKAGE
-6-D--75--1722--EE	TERMINAL
-6-D--75--1941---E	SPACER
-6-D--75--2043-E-W	PISTON
-6-D--75--2081--C	SPRING
-6-D--75--2153--C-	TUBE
-6-D--75--2572EE-C	TERMINAL SCREW
-6-D--75---293--S	CONNECTING ROD
-6-D--75---293S1S	CONNECTING ROD
-6-D--75---601--S	STRAINER
-6-D--75---722--S	CRANKSHAFT
--WM--12FA-018--EE	CRANCKASE HEATER 230V
--XL--12AA-001--EE	OIL CHANGE VALVE 1/4 NPT - 1/4 FLARE
--XM--12YC-024--EE	24 VOLTS COIL / 10W
--XM--12ZA-115--E-	115 VOLTS COIL / 10W
--XM--12ZA-230--EE	230 VOLTS COIL /

For other codes, please consult us

CARLYLE

06E Model designation

06ER 3 99 3 0 A

Model = 0, Package = 1 or 9, A = Shipped Without Oil

Design Variable:

New Compressors:

- 0 = OEM Model
- 1 = Carrier A/C Model
- 2 = Old Design Refrigeration Valve Plates
- 6 = Carrier A/C Model
- 9 = Cemak Model

Service Compressors:

- 2 = New Manufactured (A/C)
- 4 = Remanufactured (Low Temp.)
- 6 = Remanufactured (A/C)
- 7 = Remanufactured (Med Temp.)

Electrical Characteristics (XL and PW Start, Unless Noted):

- 0 = 208/230-3-60
- 1 = 575-3-60
- 3 = 208/230/460-3-50/60 (460v XL Only)
- 4 = 200-3-60
- 5 = 230-3-60
- 6 = 400/460-3-50/60
- 8 = 230-3-50
- 9 = 220/380-3-60

Displacement (in Cfm at 1750 rpm)

Motor Size (Does Not Signify Horsepower)

- 0, 1, 2 = Models With Oil
- 3, 4, 5 = Models Without Oil
- 7 = 1 Unloader, Suction Cut-off, Oil-less (ER, EM Only)
- 8 = Special Order

Compressor Type:

STD*	REV†		
06EA	06EF	Compressor - A/C Duty	No Unloading
06EB	06EJ	Compressor - A/C Duty	1-Step Elec.
06EC	06EK	Compressor - A/C Duty	2-Step Elec.
06ED	06EL	Compressor - A/C Duty	1-Step Press.
06EE	06EN	Compressor - A/C Duty	2-Step Press.
06E2	06E6	Compressor - A/C Duty	1-Step Elec.
06E3	06E7	Compressor - A/C Duty	2-Step Elec.
06E4	06E8	Compressor - A/C Duty	1-Step Press.
06E5	06E9	Compressor - A/C Duty	2-Step Press.
06EM	-	Compressor - Refrig. Duty	Med Temp.
06ER	-	Compressor - Refrig. Duty	Low Temp.
06ET	-	Serv. Compressor A/C Duty Replaces 06E2,3,4,5,6,7,8, and 9.	Compressor has 1 stage of suction cut-off unloading.
06EX	-	Serv. Compressor A/C Duty Replaces 06EA,B,C,D,E,F,J,K,L, and N.	Compressor has 1 stage of Bypass unloading.
06EY	-	Serv. Compressor Refrig. Duty Replaces 06ER	
06EZ	-	Serv. Compressor Refrig. Duty Replaces 06EM	

* Standard Center Cylinder Head.

† Reversed Center Cylinder Head.

Service compressors shipped with reverse center head have the letter "R" after the serial number on the shipping box.

CARLYLE

06E Compressors technical datas

Compressors

REQUIRED ACCESSORIES - 06E

COMPRESSOR MODEL NO.	TERMINAL BOX KIT	SUCTION SERVICE VALVE KIT	ALTERNATE SUCTION SERVICE VALVE KIT	DISCHARGE SERVICE VALVE KIT	ALTERNATE DISCHARGE SERVICE VALVE KIT	OPTIONAL ACCESSORIES		
						SUSPENSION KIT	PLATE KIT	
06ET150	06EA660095 ↓	06EA660090	-	06DA660064	-	06EA660089 ↓	06EA660096 ↓	
250		↓	-	06DA660064	-			
265		↓	-	06DA660065	06EA660090			
175		↓	06EA660091	-	06DA660065			06EA660090
275		↓	↓	-	06DA660065			06EA660090
199		↓	↓	-	06EA660090			-
299		↓	↓	-	06EA660090			-
06EX150	06EA660095 ↓	06EA660090	-	06DA660064	-	06EA660089 ↓	06EA660096 ↓	
250		↓	-	06DA660064	-			
166		↓	-	06DA660064	-			
266		↓	-	06DA660064	-			
265		↓	-	06DA660065	06EA660090			
175		↓	06EA660091	-	06DA660065			06EA660090
275		↓	↓	-	06DA660065			06EA660090
199		↓	↓	-	06EA660090			-
299		↓	↓	-	06EA660090			-
06EY150		06EA660095 ↓	06EA660091	-	06DA660064			-
166	-			06DA660064	-			
175	-			06DA660065	06EA660090			
099	-			06DA660065	06EA660090			
06EZ150	-			-	06DA660064	-		
266	↓	↓	-	06DA660064	-			
175	↓	↓	-	06DA660065	06EA660090			
199	↓	↓	-	06DA660065	06EA660090			

CARLYLE

06E Compressors technical datas

06E COMPRESSOR DATA - THREE PHASE
STANDARD EFFICIENCY MODELS WITH ONE HOT PLUGGED GAS BYPASS UNLOADER HEAD

COMPRESSOR MODEL NO.	VOLT	HP	CFM	OIL CHG. PINTS	MAX. WATTS	MAX. RLA*	MTA	LRA
4 CYLINDER... AIR CONDITIONING... 60HZ								
06EX150-160	575	15	50	14	22000	31	38	98
06EX150-360	208-230/460	15	50	14	22000	72/36	90/45	283/142
06EX150-660**	460	15	50	14	22000	36	45	142
06EX250-160	575	20	50	14	25300	36	45	120
06EX250-360	208-230/460	20	50	14	25300	87/44	108/54	345/173
06EX250-660**	460	20	50	14	25300	45	56	150
06EX266-160	575	25	66	14	33600	46	57	164
06EX266-360	208-230/460	25	66	14	33600	112/56	140/70	446/223
06EX266-660	460	25	66	14	33600	57	71	205
4 CYLINDER... AIR CONDITIONING... 50 HZ								
06EX150-360	200/400	15	41.7	14	18300	72/36	90/45	283/142
06EX150-660**	400	15	41.7	14	18300	36	45	142
06EX250-360	200/400	20	41.7	14	21100	87/44	108/54	345/173
06EX250-660**	400	20	41.7	14	21100	45	56	150
06EX266-360	200/400	25	55	14	28000	112/56	140/70	446/223
06EX266-660**	400	25	55	14	28000	57	71	205
6 CYLINDER... AIR CONDITIONING... 60HZ								
06EX265-160	575	25	68	19	33600	46	57	164
06EX265-360	208-230/460	25	68	19	33600	112/56	140/70	446/223
06EX265-660	460	25	68	19	33600	57	71	205
06EX175-160	575	25	75	19	33600	46	57	164
06EX175-360	208-230/460	25	75	19	33600	112/56	140/70	446/223
06EX175-660	460	25	75	19	33600	57	71	205
06EX275-160	575	30	75	19	39100	52	65	176
06EX275-360	208-230/460	30	75	19	39100	135/68	168/84	506/253
06EX275-660	460	30	75	19	39100	65	81	220
06EX299-160	575	40	99	19	54000	77	97	240
06EX299-360	208-230/460	40	99	19	54000	189/95	236/118	690/345
06EX299-660	460	40	99	19	54000	97	121	300
6 CYLINDER... AIR CONDITIONING... 50 HZ								
06EX265-360	200/400	20	54	19	28000	112/56	140/70	446/223
06EX265-660**	400	20	54	19	28000	57	71	205
06EX175-360	200/400	25	62.5	19	28000	112/56	140/70	446/223
06EX175-660**	400	25	62.5	19	28000	57	71	205
06EX275-360	200/400	30	62.5	19	32600	135/68	168/84	506/253
06EX275-660**	400	30	62.5	19	32600	65	81	220
06EX299-360	200/400	40	82.5	19	45000	189/95	236/118	690/345
06EX299-660**	400	40	82.5	19	45000	97	121	300

* This is the maximum rated load amp rating for the compressor motor. The overcurrent protection (circuit breaker) in the unit may result in much lower RLA values.

** Order the discrete 400/460-3-50/60 volt compressor for part wind start applications only. When ordering, place the letters PW after the model number, (i.e., 06EX299660PW).

CARLYLE

06E Compressors technical datas

**06E COMPRESSOR DATA - THREE PHASE
HIGH EFFICIENCY MODELS**

COMPRESSOR MODEL NO.	VOLT	HP	CFM	OIL CHG. PINTS	MAX. WATTS	MAX. RLA*	MTA	LRA
4 CYLINDER... AIR CONDITIONING... 60HZ								
06ET150-1()0‡	575	15	50	14	22000	31	38	98
06ET150-3()0‡	208-230/460	15	50	14	22000	72/36	90/45	283/142
06ET150-6()0**‡	460	15	50	14	22000	36	45	142
06ET250-1()0‡	575	20	50	14	25300	36	45	120
06ET250-3()0‡	208-230/460	20	50	14	25300	87/44	108/54	345/173
06ET250-6()0**‡	460	20	50	14	25300	44	54	173
4 CYLINDER... AIR CONDITIONING... 50 HZ								
06ET150-320	200/400	15	41.7	14	18300	72/36	90/45	283/142
06ET150-360	200/400	15	41.7	14	18300	72/36	90/45	283/142
06ET150-620**	400	15	41.7	14	18300	36	45	142
06ET150-660**	400	15	41.7	14	18300	36	45	142
06ET250-320	200/400	20	41.7	14	21100	87/44	108/54	345/173
06ET250-360	200/400	20	41.7	14	21100	87/44	108/54	345/173
06ET250-620**	400	20	41.7	14	21100	44	54	173
06ET250-660**	400	20	41.7	14	21100	44	54	173
6 CYLINDER... AIR CONDITIONING... 60 HZ								
06ET265-1()0‡	575	25	65	19	33600	46	57	164
06ET265-3()0‡	208-230/460	25	65	19	33600	112/56	140/70	446/223
06ET265-6()0**‡	460	25	65	19	33600	56	70	223
06ET175-1()0‡	575	25	75	19	33600	46	57	164
06ET175-3()0‡	208-230/460	25	75	19	33600	112/56	140/70	446/223
06ET175-6()0**‡	460	25	75	19	33600	56	70	223
06ET275-1()0‡	575	30	75	19	39100	52	65	176
06ET275-3()0‡	208-230/460	30	75	19	39100	135/68	168/84	506/253
06ET275-6()0**‡	460	30	75	19	39100	68	84	253
06ET299-1()0‡	575	40	99	19	54000	78	97	240
06ET299-3()0‡	208-230/460	40	99	19	54000	189/95	236/118	690/345
06ET299-6()0**‡	460	40	99	19	54000	95	118	345
6 CYLINDER ... AIR CONDITIONING ... 50 HZ								
06ET265-320	200/400	25	54	19	28000	112/56	140/70	446/223
06ET265-360	200/400	25	54	19	28000	112/56	140/70	446/223
06ET265-620**	400	25	54	19	28000	56	70	223
06ET265-660**	400	25	54	19	28000	56	70	223
06ET175-320	200/400	25	62.5	19	28000	112/56	140/70	446/223
06ET175-360	200/400	25	62.5	19	28000	112/56	140/70	446/223
06ET175-620**	400	25	62.5	19	28000	56	70	223
06ET175-660**	400	25	62.5	19	28000	56	70	223
06ET275-320	200/400	30	62.5	19	32600	135/68	168/84	506/253
06ET275-360	200/400	30	62.5	19	32600	135/68	168/84	506/253
06ET275-620**	400	30	62.5	19	32600	68	84	253
06ET275-660**	400	30	62.5	19	32600	68	84	253
06ET299-320	200/400	40	82.5	19	45000	189/95	236/118	690/345
06ET299-360	200/400	40	82.5	19	45000	189/95	236/118	690/345
06ET299-620**	400	40	82.5	19	45000	95	118	345
06ET299-660**	400	40	82.5	19	45000	95	118	345

* This is the maximum rated load amp rating for the compressor motor. The overcurrent protection (circuit breaker) in the unit may result in much lower RLA values.

** Order the discrete 400/460-3-50/60 volt compressor for part wind start applications only. When ordering, place the letters PW after the model number, (i.e., 06EX299660PW).

‡ Digit indicated by () may be a 6 or a 2.

Compressors



CARRIER

Compressors shipped without oil and under nitrogen pressure

Manufactured by Carlyle USA

All references published on the compressor model designation are available. Please contact us for further information

Ordering reference	Capacity (L)	Cylinder	Weight	Voltage (V)	Type
06ET-150---660PW-S	6,6	4	300	400/460-3-50/60	REMAN
06ET-150----66ERCDC	6,6	4	220	400/460-3-50/60	REMAN
06ET-175----66ERCDC	9	6	247	400/460-3-50/60	REMAN
06ET-250---66ARPS	6,6	4	224	400/460-3-50/60	REMAN
06ET-250----66ERCDC	6,6	4	221	400/460-3-50/60	REMAN
06ET-265----66ERCDC	9	6	195	400/460-3-50/60	REMAN
06ET-275----66ERCDC	9	6	264	400/460-3-50/60	REMAN
06ET-299----66ERCDC	9	6	272	400/460-3-50/60	REMAN



CARRIER

Compressors shipped without oil and under nitrogen pressure,

All references published on the compressor model designation are available. Please contact us for further information.

Ordering reference	Capacity (L)	Cylinder	Weight (kg)	Voltage (V)	Type
06ET-150---621DCEE	6,6	4	193	400/460-3-50/60	NEWMAN
06ET-175---621DCEE	9	6	230	400/460-3-50/60	NEWMAN
06ET-175-A-621DCEE	9	6	230	400/460-3-50/60	NEWMAN
06ET-199---621DCEE	9	6	250	400/460-3-50/60	NEWMAN
06ET-199-A-621DCEE	9	6	250	400/460-3-50/60	NEWMAN
06ET-250---621DCEE	6,6	4	224	400/460-3-50/60	NEWMAN
06ET-265---621DCEE	9	6	233	400/460-3-50/60	NEWMAN
06ET-275---621DCEE	9	6	234	400/460-3-50/60	NEWMAN
06ET-275-A-621DCEE	9	6	234	400/460-3-50/60	NEWMAN
06ET-299---621DCEE	9	6	250	400/460-3-50/60	NEWMAN
06ET-299-A-621DCEE	9	6	250	400/460-3-50/60	NEWMAN



CARRIER

06E Compressors spare parts

Ordering Reference	Description
801013	FEMALE CONNECTOR
801064	230 VOLTS COIL /
06DA-660---064--C	DISCHARGE VALVE KIT
06DA-660---065--C	DISCHARGE VALVE KIT
06EA-400---252--C	SUCTION SCREEN
06EA-400---733--S	PISTON
06EA-400---982--C-	ORIFICE
06EA-401---392-OEM	BOLT
06EA-401---993--S	CRANKSHAFT
06EA-402---003--S	CRANKSHAFT
06EA-402---013--S	CRANKSHAFT
06EA-402---273--S	BEARING AND OIL PUMP ASSEMBLY
06EA-402---403--S	LIQUID SIGHT GLASS
06EA-402---632--S	VALVE ASSEMBLY
06EA-404---304--C	CAPACITY CONTROL ASSEMBLY
06EA-404---944--C-	VALVE PLATE
06EA-406---774--S	CRANKSHAFT
06EA-500---031--C-	SPRING
06EA-500---044C--W	CYLINDER HEAD
06EA-500---052--S	FOOT
06EA-500---073--C-	CHECK VALVE
06EA-500---082--C-	PISTON
06EA-500---094C--W	COVER
06EA-500---101--C	WASHER BEARING = 06EA-500---101-OEM
06EA-500---101--EE	TERMINAL BOX COVER SCREW
06EA-500---101-OEM	BUTEE ANTI-FRICT
06EA-500---111--C	PISTON PIN
06EA-500---111--EE	TERMINAL BAR
06EA-500---122EE-B	TERMINAL BOX GASKET
06EA-500---131--S	RING
06EA-500---132EE-A	TERMINAL BOX COVER GASKET
06EA-500---141--S	LOCK WASHER
06EA-500---153--C	CHECK VALVE (MULT 2)
06EA-500---181--S	GASKET
06EA-500---211--C	RING
06EA-500---214--C	GASKET
06EA-500---233--C-	TUBE
06EA-500---233-OEM	TUBE
06EA-500---241EE-A	FLANGE 1-5/8"
06EA-500---251EE-A	RING 2-1/8"
06EA-500---261EE-A	SUCTION FLANGE
06EA-500---262--C	SPRING
06EA-500---302--C	MUFFLER
06EA-500---312--C	MUFFLER
06EA-500---314--S	BEARING HEAD
06EA-500---321-OEM	RING COMPRESSION (MULT 12)
06EA-500---321S2-S	O-RING (MULT 12)
06EA-500---331-OEM	RING OIL (MULT 12)

For other codes, please consult us



CARRIER

06E Compressors spare parts

Ordering Reference	Description
06EA-500---331S2-S	O-RING (MULT 12)
06EA-500---332--EE	CAP
06EA-500---341--C	ROTOR SCREW
06EA-500---342--E	SPACER NLA
06EA-500---351--C	ROTOR SCREW
06EA-500---352-OEM	CENTRAL BEARING (PUMP SIDE)
06EA-500---362C-A	CENTRAL BEARING (MOTOR SIDE)
06EA-500---371--S	BOLT
06EA-500---392-E-C	FLANGE
06EA-500---404--EE	TERMINAL BOX
06EA-500---422--S	MUFFLER
06EA-500---514--S	SPACER
06EA-500---661--S	STATOR KEY
06EA-500---672--C	INSULATION
06EA-500---682--C-	CHECK VALVE
06EA-500---692EE-A	CLOSING PLATE
06EA-500---702EE-A	MUFFLER
06EA-500---712EE-A	MUFFLER
06EA-500---712--S	MUFFLER
06EA-500---742--EE	SPRING
06EA-500---752--EE	OIL SIGHT GLASS
06EA500763	MOTOR SIDE BEARING
06EA500773	MOTOR SIDE BEARING
06EA-500---782--EE	LOCK WASHER
06EA-500---832--S	COMPRESSOR SENSOR
06EA-500---842--EE	TERMINAL BOX COVER
06EA-501---012--C	DOWEL PIN (MULT 12)
06EA-501---182--C	NUT
06EA-501---302--S	COLLAR
06EA-501---352--C-	VALVE
06EA-501---362-OEM	SPRING
06EA-501---363--C	CHECK VALVE
06EA-501---372C-A	COVER
06EA-501---382--C-	GASKET
06EA-501---382-OEM	GASKET
06EA-501---513--C	GASKET (MULT 10)
06EA-501---543--C	SCREW
06EA-501---563--C	CHECK VALVE (MULT 2)
06EA-501---563-OEM	CHECK VALVE (MULT 2)
06EA-501---643--S	COVER PLATE
06EA-501---803--S	TERMINAL INSULATION
06EA-501---853--S	GASKET
06EA-501---973--S	STUD (MULT 4)
06EA-502---023--C-	GASKET
06EA-502---023-OEM	GASKET
06EA-502---064--S	CYLINDER HEAD
06EA-502---074--S	CYLINDER HEAD
06EA-502---084--S	HEAD

For other codes, please consult us

www.carrier-ercd.com



CARRIER

06E Compressors spare parts

Compressors

Ordering Reference	Description
06EA-502---223--S	SELF-LOCKING CAPSCREW
06EA-502---224--S	COVER
06EA-502---453--S	VALVE PAD
06EA-502---523--S	GASKET
06EA-502---553--S	GASKET
06EA-502---573--S	PAD
06EA-502---662--S	COVER
06EA-503---304--C	GASKET (MULT 10)
06EA-503---314--C	GASKET (MULT 12)
06EA-503---334--C	GASKET (MULT 12)
06EA-503---342-OEM	OIL PUMP SPRING
06EA-503---342--S	OIL PUMP SPRING
06EA-503---524C--A	CYLINDER HEAD
06EA-504---514--S	PISTON
06EA-504---524-OEM	PISTON
06EA-504---524--S	PISTON
06EA-504---914--C	DISCHARGE CHECK VALVE (MULT 6)
06EA-505---004--S	PISTON
06EA-505---014--S	CHECK VALVE
06EA-505---122-OEM	PISTON
06EA-505---224--C-	PISTON
06EA-506---324--S	STOP VALVE
06EA-506---334--S	STOP VALVE
06EA-506---344--S	VALVE
06EA-506---414--S	GASKET
06EA-506---684--S	MOTOR END COVER GASKET
06EA-601---052--C	CONDUIT PACKAGE
06EA-601---113--C	SLEEVE
06EA-601---572--C	SPACER
06EA-660---026--S	CONNECTING ROD
06EA-660---034--S	CONNECTING ROD
06EA-660---051--C	TERMINAL
06EA-660---057--C-	GASKET
06EA-660---071--C	GASKET SET
06EA-660---071--S	GASKET SET
06EA-660---079--C-	UNLOADER KIT
06EA-660---085--S	ROD 010 PACKAGE
06EA-660---086--S	CONNECTING ROD
06EA-660---087--S	TERMINAL PLATE
06EA-660---089--S	SUSPENSION KIT
06EA-660---090--S	SUCTION & DISCHARGE VALVE KIT
06EA-660---091--S	SUCTION VALVE KIT
06EA-660---095--S	TERMINAL BOX PACKAGE
06EA-660---096--S	MOUNTING PLATE
06EA-660---100--C	PRESSURE UNLOADER HEAD
06EA-660---104--S	CYLINDER HEAD GASKET SET
06EA-660---105--C	VALVE PLATE
06EA-660---107--S	HEATER

For other codes, please consult us



CARRIER

06E Compressors spare parts

Ordering Reference	Description
06EA-660---108--S	CRANKCASE HEATER
06EA-660---109--S	PISTON
06EA-660---110--S	PISTON
06EA-660---111--S	PISTON
06EA-660---112--S	PISTON 020 + PIN PACKAGE
06EA-660---125--C	TERMINAL PLATE
06EA-660---127--C-	SIGHT GLASS ADAPTER
06EA-660---135--S	ELECTRIC UNLOADER KIT
06EA-660---137--S	VALVE PLATE PACKAGE
06EA-660---138--S	CYLINDER HEAD (ELECTRIC UNLOADER)
06EA-660---139--S	CYLINDER HEAD (PRESSURE UNLOADER)
06EA-660---141--S	JUMPER BAR PACKAGE
06EA-660---143--S	VALVE PLATE
06EA-660---144--S	VALVE PLATE
06EA-660---145--S	BAFFLE
06EA-660---147--S	BLOCKING PACKAGE
06EA-660---151--S	SERVICE PARTS PACKAGE
06EA-660---152--S	TERMINAL RING PACKAGE
06EA-660---156--S	ADAPTER
06EA-660---157--S	OIL PUMP KIT
06EA-660---159--S	VALVE PLATE (LEFT SIDE)
06EA-660---161--EE	CYLINDER HEAD
06EA-660---164--S	VALVE KIT 2-1/8"
06EA-660---165--S	CRANKCASE HEATER
06EA-660---166--S	CRANKCASE HEATER
06EA-660---167--S	HEATER
06EA-660---168--S	CRANKCASE HEATER KIT
06EA-660---391--EE	PISTON KIT
06EA-680---036--S	WRENCH ALLEN HEAD
06EA-900---023--S	MOUNTING SPRING PKG
06ED-412---012--EE	ROTOR
06ED-490---012--EE	ROTOR
06ED-490---614--S	MOTOR
06EG490613EE	STATOR
06EP-410---614--EE	MOTOR
06EP-412---114--EE	MOTOR
06EP-412---614--EE	MOTOR
06EP-412---814--EE	MOTOR
06EP-445---012--C	ROTOR
06EP-445---614--EE	MOTOR (ROTOR AND STATOR)
06EP-460---614--EE	MOTOR
06EP-475---614--EE	MOTOR
06EP-490---114--EE	MOTOR 500V
06EP-490---613--EE	STATOR
06EP-660---614--E	MOTOR
06ER-660---007--S	FAN ASSEMBLY
06ER-660---009--S	GASKET PACKAGE
06ER-660---013--S	PISTON PACKAGE

For other codes, please consult us

www.carrier-ercd.com



CARRIER

06E Compressors spare parts

Compressors

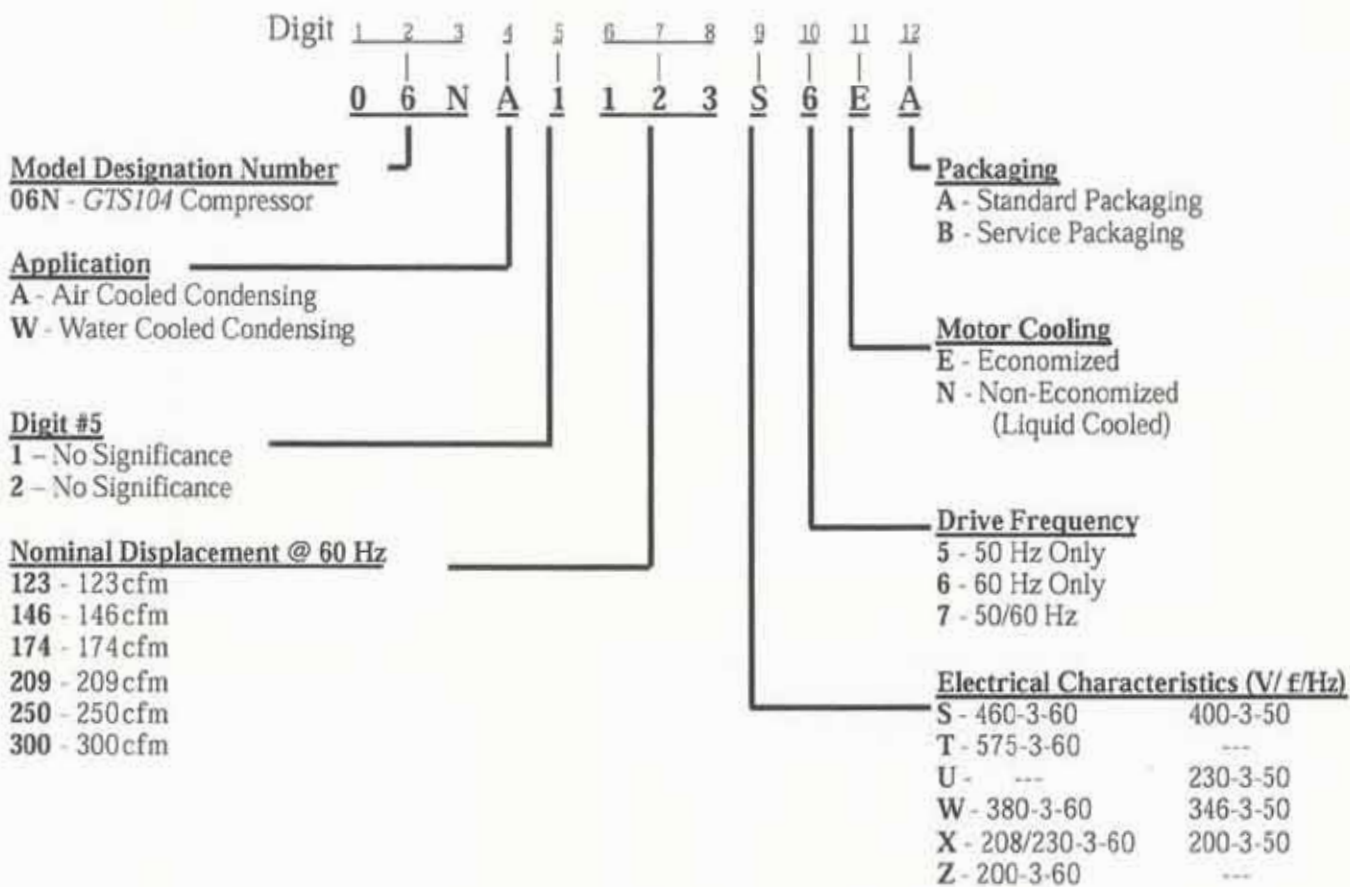
Ordering Reference	Description
06ER-660---014--S	PISTON
06ER-660---015--S	PISTON 020 + PIN PACKAGE
06ER-660---016--S	PISTON 020 + PIN PACKAGE
06ER-660---017--S	VALVE PLATE
06EX-412---314--S	ROTOR / STATOR
06EX-412---654--S	MOTOR
06EX-460---314--S	MOTOR
06EX-460---654--S	MOTOR
06EX-475---314--S	MOTOR
06EX-475---654--S	MOTOR
06EX-490---314--S	STATOR AND ROTOR
06EX-490---654--S	MOTOR
38AQ-680---001--S	CONTACT GREASE
--HN--68GA-295--C	R22 DGT
--WG--12RA-001--EE	R134A DGT
--WM--12FA-006--EE	CRANCKASE HEATER 230V
--WM--12FA-017--EE	CRANCKASE HEATER 230V / 125 W
--WM--12FA-018--EE	CRANCKASE HEATER 230V
--WM--12FA-020--E-	CANCKASE HEATER 110V / 125W
--XL--12AA-001--EE	OIL CHANGE VALVE 1/4 NPT-1/4 FLARE
--XM--12YC-024--EE	24 VOLTS COIL / 10 W
--XM--12ZA-115--E-	115 VOLTS COIL / 10 W

For other codes, please consult us

CARLYLE

06N Model designation

Model Number Significance Chart





CARRIER

Screw compressors shipped without oil

R134 Application only
 Manufactured by Carlyle USA

Compressors

Ordering Reference	Maximum current (A)	Weight (kg)	Power (Tons)	Voltage (V)
06NA2146-S---7EAC	-	380	39	400/3/50 - 460/3/60
06NA2146-S---7NAC	90,2	380	39	400/3/50 - 460/3/60
06NA2174-S---7EAC	NC	390	46	400/3/50 - 460/3/60
06NA2174-S---7NAC	112,3	390	46	400/3/50 - 460/3/60
06NA2209-S---7EAC	-	400	56	400/3/50 - 460/3/60
06NA2209-S---7NAC-	134,1	400	56	400/3/50 - 460/3/60
06NA2250-S---7EAC	-	405	66	400/3/50 - 460/3/60
06NA2250-S---7NAS	161,2	405	66	400/3/50 - 460/3/60
06NA2300-S---5EAC-	234,7	415	80	400/3/50 - 460/3/60
06NA2300-S---5NAC-	188,5	415	80	400/3/50 - 460/3/60
06NW2146-S---7NAC	71,7	360	39	400/3/50 - 460/3/60
06NW2174-S---7NAC	88,5	365	46	400/3/50 - 460/3/60
06NW2209-S---7EAC-	NC	375	56	400/3/50 - 460/3/60
06NW2209-S---7NAC-	106,7	375	56	400/3/50 - 460/3/60
06NW2250-S---7EAC-	-	380	66	400/3/50 - 460/3/60
06NW2250-S---7NAC	128,8	380	66	400/3/50 - 460/3/60
06NW2300-S---5EAC	172,2	400	80	400/3/50 - 460/3/60
06NW2300-S---5NAC-	156,2	390	80	400/3/50 - 460/3/60

Note that 06NA compressors needs oil contained in the oil separator

Ordering reference:

---P-903SW220-5TTL : Totaline SW220, 5L drum

---P-903SW220-20TTL: Totaline SW220, 20L drum

EAC means compressor works with an economizer in frigorific system,

NAC means compressor works without an economizer in frigorific system,

Caution ! Always add installation kit code 06NA-660---013--S

1 Ton = 3,5 kW Frigo (SI)



CARRIER

06N Compressors spare parts

Ordering Reference	Description
06NA-660---001--S	OIL SOLENOID VALVE
06NA-660---002--S	TERMINAL JUMPER BAR KIT
06NA-660---003--S	TERMINAL BOX KIT
06NA-660---004--S	VALVE / MUFFLER REPAIR
06NA-660---005--S	SUCTION SCREEN PACKAGE
06NA-660---007--S	ECONOMIZER SCREEN KIT
06NA-660---008--S	DISCHARGE PLATE PACKAGE
06NA-660---009--S	ECONOMIZER PLATE
06NA-660---010--S	SUCTION PLATE PACKAGE
06NA-660---011--S	UNLOADER SOLENOID VALVE KIT
06NA-660---012--S	O-RING SUCTION PACKAGE
06NA-660---013--S	INSTALLATION KIT
06NA-660---015--S	SERVICE TOOL PACKAGE
06NA-660---017--S	SOLENOID VALVE O-RING KIT
06NA-660---018--S	O-RING KIT
06NA-660---019--S	SCHRAEDER ACCESS FITTING KIT
06NA-660---020--S	SAE PLUG KIT
06NA-660---021--S	SAE PLUG KIT
06NA-660---022--S	SAE PLUG KIT
06NA-660---023--S	SAE PLUG KIT
06NA-660---024--S	SAE PLUG KIT



CARRIER

06N Compressors spare parts

Ordering Reference	Description
06NA-660---025--S	O-RING KIT
06NA-660---026--S	TERMINAL PIN KIT
06NA-660---027--S	O-RING KIT
06NA-660---028--S	OIL LINE FILTER KIT
06NA-660---032--S	GEAR KIT
06NA-660---036--S	GEAR KIT 300 CFM
06NA-660---037--S	COVER O-RING KIT
06NA-660---038--S	COVER GASKET SET
06NA-660---040--S	OIL INJECTION LINE
06NA-660---041--S	O-RING KIT
06NA-660---042--S	MOTOR SENSOR PIN KIT
06NZJ23H09	MOTOR
06NZK23H09	MOTOR
06NZM23H09	MOTOR
06NZP23H09	MOTOR
06NZQ23H09	MOTOR
06NZR23H09	MOTOR
06NZS23H09	MOTOR
06NZU23H09	MOTOR
06NZW23H09	MOTOR
10HX-500---582EE-F	SUCTION FLANGE
30GX-404---952--EC	SUCTION VALVE
--BM--12GA-018--EE	BRASS OIL LINE COUPLING
--EN--07EA-510--C	DISCHARGE VALVE



CARRIER

Compressor shipped without oil

Manufactured by Carlyle USA

Ordering reference	Weight (kg)
06TSA155SJ1C	850
06TSA186SJ1C	-
06TTA266SP1C	656
06TTA301SS1C	660
06TTA356SS1C	-
06TT-----W266SM1D-	500
06TT-----W301SM1D-	500
06TT-----W356SP1D-	500
06TUA483SW1C	864
06TUA483SW1C-	950
06TUA483TW1C	1068
06TUA483WW1C	1068
06TUA554SW1C	1068
06TUA554SW1C-	990
06TUA483ST1C	350



CARRIER

Manufactured in China

Ordering reference	Weight (kg)
06TVW680SW1C-	1145
06TVW753SW1C-	1154
06TVW819SW1C-	1160

Note that 06T compressors needs oil contained in the oil separator

Ordering reference:

---P-903SW220-5TTL : Totaline SW220, 5L drum

---P-903SW220-20TTL: Totaline SW220, 20L drum



CARRIER

06T Compressors spare parts

Ordering Reference	Description
00PPG000011701A	GASKET 2,5
00PPG000011702A	GASKET 3
00PSG000766800A	GASKET 4
06TA-660---001--S	SERVICE VALVE
06TA-660---004--S	SHUT OFF VALVE
06TA-660---007--S	MOUNTING KIT
06TA-680---008--S	VALVE
06TSJ95H24	REPLACEMENT MOTOR KIT
06TT-660---001--S	TERMINAL PIN KIT
06TT-660---002--S	TERMINAL PIN SEAL KIT
06TT-660---003--S	TERMINAL PIN KIT SENSOR
06TT-660---004--S	KIT PLUX AND NUTS
06TT-660---011--S	SLIDE VALVE PISTON ASSEMBLY
06TT-660---019--S	SLIDE VALVE PISTON ASSEMBLY
06TT-660---027--S	SLIDE VALVE ASSEMBLY
06TT-660---033--S	DISCHARGE CHECK VALVE KIT
06TT-660---034--S	DISCHARGE CHECK VALVE KIT
06TT-660---035--S	06TS INSTALLATION KIT
06TT-660---036--S	06TT INSTALLATION KIT
06TT-660---037--S	06TU INSTALLATION KIT
06TT-660---038--S	MOTOR COVER GASKET SET
06TT-660---039--S	MOTOR COVER GASKET SET
06TT-660---040--S	MOTOR COVER GASKET SET
06TT-660---042--S	SLIDE VALVE HOUSING GASKET KIT
06TT-660---043--S	SLIDE VALVE HOUSING
06TT-660---044--S	SLIDE VALVE HOUSING GASKET KIT
06TT660050	TERMINAL PIN GREASE KIT
06TT-660---052--S	COMPRESSOR CONNECTION KIT
06TT-660---057--S	SLIDE VALVE PISTON KIT
06TT-660---058--S	06TV COMPRESSOR CONNECTION KIT
06TTP94H24	REPLACEMENT MOTOR KIT
06TTS94H24	REPLACEMENT MOTOR KIT
06TUV96H24	REPLACEMENT MOTOR KIT
2TS1224	06TS SUCTION SCREEN
2TT1308	06TT SUCTION SCREEN
2TU1563	06TU ECONOMIZER LINE SCREEN
32MP-500---354--S	MOTOR TEMPERATURE SENSOR
8TA0059C	O-RING
8TA0142C	SAE PLUG
8TA0868B	COUPLING



CARRIER

06T compressors spare parts

Ordering Reference	Description
8TA0869B	COUPLING DODGE 1-7/8"
8TA0870B	COUPLING
8TA0896B	COUPLING INSERT (RUBBER)
8TB0220	SAE PLUG
8TB0224	O-RING
8TB0233	DOWEL PIN
8TB0398	GEAR LUBE FITTING
8TB0399	GEAR LUBE FITTING
8TB0462	OIL FILTER PLUG
8TB0670	SCREW
8TB0676	06TT ECONOMIZER LINE SCREEN
8TB0702	PRESSURE RELIEF VALVE O-RING
8TB0708	TERMINAL
8TB0711	WASHER STEEL BEVELED
8TB0878	WASHER
8TB0883	INSULATOR BLOCK
8TB0884	SOLENOID VALVE
8TB0923	MOTOR SHAFT SPRING
8TB0928	HEXAGONAL NUT
8TC0047C	LOCKNUT
8TC0048C	LOCKNUT
8TC0053C	GUIDE SEAL ASSEMBLY
8TC0070C	PIN
8TC0109C	HEXAGONAL PLUG
8TC0137C	SPRING-INNER
8TC0166C	SPRING OUTER
8TC0167C	SPRING INNER
8TC0418C	O-RING
8TC1047	SEAL RING
8TD0075D	GUIDE SEAL ASSEMBLY
8TD0124C	O-RING
8TR0357	LUBRIFICATION ORIFICE
8TR0358	FITTING ORIFICE
8TS0618	THRUST DISCHARGE FEMALE BEARING
8TS0709	JOINT TORIQUE MOTEUR
8TS0722	GASKET
8TS0835	GUIDE SEAL SLIDE VALVE PISTON
8TS0836	SEAL RING SLIDE PISTON
8TS1710	06TV OIL COUPLING



CARRIER

06T compressors spare parts

Ordering Reference	Description
8TS1711	REDUCER
8TS1713	THERMOWELL
8TT0605	DISCHARGE FEMALE BEARING
8TT0608	THRUST DISCHARGE MALE BEARING
8TT0609	INLET FEMALE BEARING
8TT0611	DISCHARGE MALE BEARING
8TT0612	INLET MALE BEARING
8TT0710	GASKET
8TT0732	GASKET
8TT0817	GUIDE SEAL
8TT0818	PISTON SEAL
8TT1114	LOCKING RING
8TT1115	LOCKING RING
8TT1121	O-RING DISCHARGE/ROTOR
8TT1123	MALE DISCHARGE LIP SEAL
8TT1124	FEMALE DISCHARGE LIP SEAL
8TT1131	HEXAGONAL HEAD CAP SCREW
8TT1132	SCREW
8TT1134	DOWEL PIN
8TT1185	O-RING
8TT1191	INSULATOR BLOCK
8TT1683	INSULATOR BLOCK
8TU0619	BEARING
8TU0620	BEARING
8TU0621	MALE INLET BEARING
8TU0622	MALE DISCHARGE BEARING
8TU0623	FEMALE INLET BEARING
8TU0624	FEMALE DISCHARGE BEARING
8TU0720	GASKET
8TU0843	GUIDE SEAL
8TU0844	METALLIC GASKET
8TU1337	O-RING
8TU1343	MALE DISCHARGE LIP SEAL
8TU1344	FEMALE DISCHARGE LIP SEAL
8TU1542	06TU SUCTION SCREEN
8TU1609	SCREW CAP
--KK--71EW-223-OEM	O-RING 1.609
--KK--71EW-229--S	O-RING 2.359
--KK--71EW-259--S	O-RING 6.234

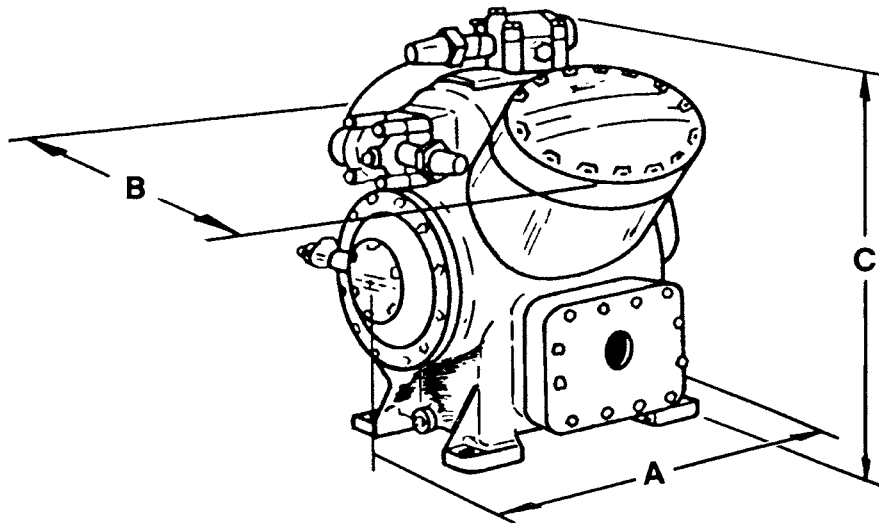
For other codes, please consult us

CARLYLE

5F & 5H Compressors technical datas

PHYSICAL DATA AND DIMENSIONS

DIMENSIONS



PHYSICAL DATA

COMPRESSOR	5F				5H				5H*			
	20	30	40	60	40	60	80	120	46	66	86	126
OPERATING WT	175	215	355	400	610	795	1115	1580	610	795	1115	1580
COMPRESSOR												
Nominal Hp	3-10	5-15	7.5-20	10-30	20-50	30-75	40-100	60-150	40-60	60-100	75-125	125-200
Displ cfm at 1750 rpm	19.9	29.8	39.8	59.6	92.4	138.4	184.7	276.8	115.5	173.0	231.0	346.0
Cylinders	2	3	4	6	4	6	8	12	4	6	8	12
Oil (pt)	5	5.5	12	13	18	21	41	81	18	21	41	81
Bore (in.)	2½				3¼				3¼			
Stroke (in.)	2				2¼				3/16			
Max rpm	1750											
Min rpm	400 (Required for proper lubrication)											
Min rpm, Cap. Control	600	700	800	900	800	900	1100	900	800	900	1100	900
High Side Max Pressure	400 psig											
Low Side Max Pressure	245 psig											
DIMENSIONS (in.)												
A	15¾	18	21½	23½	30½	31½	43¾	47	30½	31½	43¾	47
B	18¾	20¾	19	21	24½	27¼	24½	27¾	24½	27¼	24½	27¾
C	18¾	18	20¾	24½	29	29¾	32	34¾	29	29¾	32	34¾
CONNECTIONS (in.)												
Suction ODF	1½	1¾	1¾	2½	2¾	3¾	3¾	4¾	2¾	3¾	3¾	4¾
Discharge ODF	¾	1¾	1¾	1¾	2¾	2¾	3¾	3¾	2¾	2¾	3¾	3¾

*Increased displacement compressors (5H46,66,86,126) not available for belt drive duty.

5F & 5H OPEN COMPRESSORS / SIGNIFIANCE CHART

References	Service Valves	Pressure Switches	W.C Heads	Replacement	
				Newman	Reman
5H120-A194	YES	YES	NO	5H120-S219	5H120-A219
5H120-S219	YES	NO	NO	-	-
5H120-A219	YES	NO	NO	-	-
5H126-394	YES	YES	NO	5H126-S219	5H126-A219
5H126-S219	YES	NO	NO	-	-
5H126-A219	YES	NO	NO	-	-
5H120-C864	YES	NO	YES	-	-
5H126-C864	YES	NO	YES	-	-
5H120-C149	YES	NO	NO	-	-
5H126-C149	YES	NO	NO	-	-
5H120-C884	NO	NO	NO	-	-

References	W.C Heads	N° of Unloaders	Replacement	
			Newman	Reman
5F30-C644	NO	0	5F30-S644	5F30-A644
5F30-OLD C'CASE	NO	0	-	5F30-A189
5F30-C654	NO	1	5F30-S664	5F30-A664
5F30-C664	NO	2	5F30-S664	5F30-A664
5F30-C864	YES	2	-	-

APPLICATION HIGH AND MEDIUM TEMPERATURE R404 / R507A

Capacity kW	Displacement m ³ /h	Cooling capacity Watts - Evaporating temp.				Model reference
		0°C	-5°C	-7°C	-15°C	
7.4	20.03	18810	15040	14100	11910	5F20
11	42.18	28270	22670	21260	17980	5F30
15	56.33	37740	30280	28410	24030	5F40
23	83.46	56650	45460	42670	36120	5F60
37	130.79	87480	70770	6662	56640	5H40
44	163.48	108052	87790	81640	70260	5H46
55	195.90	131280	106210	99980	85020	5H60
74	244.87	162870	131870	124170	105640	5H66
74	261.43	175090	141670	133380	113430	5H80
92	326.96	217160	175730	165450	14071	5H86
110	390.66	262620	212490	200040	170110	5H120
132	489.74	325750	263670	248280	211190	5H126

APPLICATION LOW TEMPERATURE R404 / R507A

Capacity kW	Displacement m ³ /h	Cooling capacity Watts - Evaporating temp.				Model reference
		-20°C	-25°C	-28°C	-35°C	
5.5	20.03	7220	5470	4630	2700	5F20
7.4	42.18	10860	8180	6890	3990	5F30
11	56.33	14170	11010	9290	540	5F40
18	84.36	21930	16590	14010	8110	5F60
29	130.79	34800	26420	22350	13070	5H40
37	163.48	43170	32770	27720	16180	5H46
44	195.90	52290	39740	33640	19700	5H60
55	244.87	6510	49540	41980	24680	5H66
55	261.43	69790	53060	44930	26340	5H80
74	326.96	86640	65910	55850	32824	5H86
92	390.66	104680	79610	67460	3970	5H120
110	489.74	130100	98990	83880	49290	5H126

APPLICATION HIGH AND MEDIUM TEMPERATURE R134A

Capacity kW	Displacement m ³ /h	Cooling capacity Watts - Evaporating temp.				Model reference
		0°C	-5°C	-7°C	-15°C	
5.5	20.03	11800	9270	8560	7130	5F20
7.4	42.18	17600	13910	12890	10790	5F30
11	56.33	23700	18610	17180	14320	5F40
14.7	84.36	35480	27830	25690	21410	5F60
23	130.79	55930	43760	40340	33550	5H40
29	163.48	69300	54190	49940	41510	5H46
37	195.90	83890	65640	60520	50380	5H60
44	244.87	104260	81690	75370	62800	5H66
44	261.43	111780	87470	80650	67150	5H80
55	326.96	138760	108620	100190	83440	5H86
74	390.66	167970	131470	121240	100940	5H120
92	489.74	208530	163270	150590	125400	5H126

APPLICATION LOW TEMPERATURE R22

Capacity kW	Displacement m ³ /h	Cooling capacity Watts - Evaporating temp.				Model reference
		0°C	-5°C	-10°C	-15°C	
7.4	20.03	19440	15580	12280	9480	5F20
11	42.18	29500	23430	18470	14280	5F30
15	56.33	38880	31240	24730	19220	5F40
23	84.36	58710	47130	37220	28830	5F60
37	130.79	92760	75270	59920	46650	5H40
44	163.48	114790	93040	74050	57720	5H46
55	195.90	139000	112880	89960	70120	5H60
74	244.87	172670	140230	111770	87120	5H66
74	261.43	185230	150730	119790	93340	5H80
92	326.96	229960	186690	148750	115950	5H86
110	390.66	278270	225900	179930	140140	5H120
132	489.74	345390	280450	223460	174140	5H126

PERFORMANCE (contd)

COMPRESSOR RATINGS NOTES

- Compressor capacities are based on 1750 rpm and 15 F subcooling.

5F,H Rating Limits

SAT. SUCT TEMP (F)		SAT. DISCH TEMP (F)	
MIN	MAX	MIN	MAX
-40	50	80	145*
-60	50	80	120

□ R-12, R-22 ■ R-502

*135 F for R-22.

Refer to 5F,H compressor application data (Expanded Ratings) for ratings not shown in Compressor Ratings Tables.

Multiplying Factors for Other rpm

rpm	1450	1160
Capacity	.835	.674
bhp	.798	.602

- Liquid subcooling, greater than (less than) the 15 F incorporated in the ratings increases (decreases) system capacity by 1/2 of 1% for each degree of subcooling. When correcting for subcooling, brake horsepower does not change. Adjusted total heat rejection (tons) equals adjusted capacity + (.212 × bhp).
- Refrigerant temperatures shown are saturation temperatures corresponding to pressures indicated at compressor. Actual gas temperatures are higher because of superheat.
- Capacities are based on actual suction gas temperatures to the compressor of 65 F for R-12; 75 F for R-502. (This assumes superheat is obtained from liquid-suction interchanger or in evaporator.) Capacity corrections for other than rated suction gas temperatures may be obtained from Rating Basis and Capacity Multipliers table. R-22 suction gas superheat (15 F) normally occurs because of expansion valve operation and line losses. Therefore, R-22 ratings can be used without adjustment.
- All compressor power (bhp) ratings are for direct drive. For belt drive applications, belt losses must be included. Normally these belt losses are assumed to add 2 to 3% to the bhp values shown.

CAPACITY CONTROL REDUCTION STEPS

COMPR MODEL	CONTR CYL	CAP. STEPS (% Full Load Cap.)										
		100	87½	83½	75	66½	62½	50	37½	33½	25	
		% Full Load bhp										
		100	90	86	80	74	71	60	50	45	38	
Number of Active Cylinders												
5F20	1	2	—	—	—	—	—	1	—	—	—	—
5F30	1	3	—	—	—	2	—	—	—	1	—	—
5F40	3	4	—	—	3	—	—	2	—	—	1	—
5F60	4	6	—	5	—	4	—	3	—	2	—	—
5H40	3	4	—	—	3	—	—	2	—	—	1	—
5H46	3	4	—	—	3	—	—	2	—	—	1	—
5H60	4	6	—	5	—	4	—	3	—	2	—	—
5H66	4	6	—	5	—	4	—	3	—	2	—	—
5H80	6	8	7	—	—	—	5	—	3	—	2	—
5H86	6	8	7	—	—	—	5	—	3	—	2	—
5H120	8	12	—	10	—	8	—	6	—	4	—	—
5H126	8	12	—	10	—	8	—	6	—	4	—	—



CARRIER

5F & 5H Compressors

Ordering Reference	Capacity (L)	Suction sold connection size (inch)	Discharge sold connection size (inch)	Type	Cylinder	Power R134A (CV)	Power R22 (CV)
-5-F--20-C-654D-S	2,37	1-1/8 ODF	7/8 ODF	NEWMAN	2	5,7	10
-5-F--20-S-674--S	2,37	1-1/8 ODF	7/8 ODF	NEWMAN	2	5,7	10
-5-F--20-S-684--S	2,37	1-1/8 ODF	7/8 ODF	NEWMAN	2	5,7	10
-5-F--30-A-219--S	2,6	1-5/8 ODF	1-3/8 ODF	REMAN	3	8,5	15
-5-F--30-C-664D-S	2,6	1-5/8 ODF	1-3/8 ODF	NEWMAN	3	8,5	15
-5-F--30-S-644--S	2,6	1-5/8 ODF	1-3/8 ODF	NEWMAN	3	8,5	15
-5-F--30-S-664--S	2,6	1-5/8 ODF	1-3/8 ODF	NEWMAN	3	8,5	15
-5-F--40---909--S	5,67	1-5/8 ODF	1-3/8 ODF	NEWMAN	4	11,4	20
-5-F--40-A-219--S	5,67	1-5/8 ODF	1-3/8 ODF	REMAN	4	11,4	20
-5-F--40-S-219--S	5,67	1-5/8 ODF	1-3/8 ODF	NEWMAN	4	11,4	20
-5-F--60---909--S	6,15	2-1/8 ODF	1-5/8 ODF	NEWMAN	6	17,1	25
-5-F--60-A-219--S	6,15	2-1/8 ODF	1-5/8 ODF	REMAN	6	17,1	25
-5-F--60-C-149--S	6,15	2-1/8 ODF	1-5/8 ODF	NEWMAN	6	17,1	25
-5-F--60-S-219--S	6,15	2-1/8 ODF	1-5/8 ODF	NEWMAN	6	17,1	25
-5-H-120-A-204--S	28,85	4-1/8 ODF	4-1/8 ODF	REMAN	12	81,4	125
-5-H-126---404--S	28,85	4-1/8 ODF	4-1/8 ODF	NEWMAN	12	100	150
-5-H-126-A-219--S	28,85	4-1/8 ODF	4-1/8 ODF	REMAN	12	100	150
-5-H--40---909--S	8,51	2-5/8 ODF	2-1/8 ODF	NEWMAN	4	25	40
-5-H--40-A-219--S	8,51	2-5/8 ODF	2-1/8 ODF	REMAN	4	25	40
-5-H--40-S-219--S	8,51	2-5/8 ODF	2-1/8 ODF	NEWMAN	4	25	40
-5-H--46---909--C	8,51	2-5/8 ODF	2-1/8 ODF	NEWMAN	4	40	60
-5-H--46-A-219--S	8,51	2-5/8 ODF	2-1/8 ODF	REMAN	4	40	60
-5-H--46-S-219--S	8,51	2-5/8 ODF	2-1/8 ODF	NEWMAN	4	40	60
-5-H--60-A-219--S	9,93	3-1/8 ODF	3-1/8 ODF	REMAN	6	40	60
-5-H--60-C-109--S	9,93	3-1/8 ODF	3-1/8 ODF	NEWMAN	6	40	60
-5-H--60-C-119--S	9,93	3-1/8 ODF	3-1/8 ODF	NEWMAN	6	40	60
-5-H--60-S-219--S	9,93	3-1/8 ODF	3-1/8 ODF	NEWMAN	6	40	60
-5-H--66---404--S	9,93	3-1/8 ODF	3-1/8 ODF	NEWMAN	6	50	75
-5-H--66-A-219--S	9,93	3-1/8 ODF	3-1/8 ODF	REMAN	6	50	75
-5-H--66-S-219--S	9,93	3-1/8 ODF	3-1/8 ODF	NEWMAN	6	50	75
-5-H--80-A-204--S	19,4	3-1/8 ODF	3-1/8 ODF	REMAN	8	50	75
-5-H--80-A-219--S	19,4	3-1/8 ODF	3-1/8 ODF	REMAN	8	50	75
-5-H--80-S-219--S	19,4	3-1/8 ODF	3-1/8 ODF	NEWMAN	8	50	75
-5-H--86---404--S	19,4	3-1/8 ODF	3-1/8 ODF	NEWMAN	8	75	100
-5-H--86-A-219--S	19,4	3-1/8 ODF	3-1/8 ODF	REMAN	8	75	100
-5-H--86-S-219--S	19,4	3-1/8 ODF	3-1/8 ODF	NEWMAN	8	75	100



CARRIER

5F & 5H Compressors spare parts

Compressors

Ordering Reference	Description
05GA-501---414--S	PISTON
05GA-501---762--S	OIL PLUG
05GA-502---282--S	CARBON ROTOR
05HG-660---004--S	CRANKSHAFT
05HG-660---005--S	CRANKSHAFT
05HG-660---006--S	SEAL
05HG-660---020--S	OIL FILTER
05KA-404---093-OEM	OIL PUMP DRIVE
05KA-404---093--S	OIL PUMP DRIVE
-5-D--40--1372--S	CONNECTING ROD
-5-F--20--1002--S	BEARING (MULT 4)
-5-F--20--1011--S	GASKET (MULT 12)
-5-F--20--1012--S	BEARING
-5-F--20--1022--S	BEARING
-5-F--20--1031--S	PISTON (MULT 6)
-5-F--20--1032--S	GASKET
-5-F--20---103--C	CONNECTING ROD
-5-F--20--1052--S	COVER
-5-F--20--1083--S	GASKET (MULT 50)
-5-F--20--1093--S	GASKET (MULT 12)
-5-F--20--1113--S	GASKET
-5-F--20---112--S	GUIDE
-5-F--20--1132--S	DISC (MULT 2)
-5-F--20--1133--S	BOTTOM PLATE
-5-F--20--1142--S	DISC
-5-F--20--1191--S	INNER SEAT
-5-F--20--1301--S	WASHER (MULT 12)
-5-F--20--1311--S	ADAPTER
-5-F--20--1322--S	GUIDE
-5-F--20---132--S	STRAINER
-5-F--20--1451--S	GASKET (MULT 50)
-5-F--20--1501--S	CLIP
-5-F--20---152--C	SIGHT GLASS
-5-F--20---153--S	ELEMENT
-5-F--20--1631--S	SIGHT GLASS GASKET (MULT 12)
-5-F--20--1701--S	GASKET (MULT 12)
-5-F--20--1703--S	GASKET
-5-F--20--171112S	GASKET (MULT 12)
-5-F--20---172--C	COLLECTOR
-5-F--20--1741--S	WASHER (MULT 6)
-5-F--20--1752--S	SLEEVE
-5-F--20--1761--S	WASHER (MULT 6)
-5-F--20--1782--S	PISTON
-5-F--20--1791--S	SPRING (MULT 12)

For other codes, please consult us



CARRIER

5F & 5H Compressors spare parts

Ordering Reference	Description
-5-F--20--1801--S	SPRING (MULT 12)
-5-F--20--1802--S	SPRING (MULT 6)
-5-F--20--1813--S	GASKET
-5-F--20--1822--S	SPRING (MULT 6)
-5-F--20---212--C	PRESSURE SWITCH
-5-F--20--2263--S	HEAD
-5-F--20--2571--S	PAD
-5-F--20--2653--S	GRILLE
-5-F--20--2751--S	PIN (MULT 6)
-5-F--20--2843--S	WASHER (MULT 12)
-5-F--20--3422--S	HALF BEARING (MULT 4)
-5-F--20--3432--S	BEARING (MULT 4)
-5-F--20--3442--S	BEARING
-5-F--20--3452--S	BEARING
-5-F--20--3462--S	BEARING
-5-F--20--3472--S	BEARING
-5-F--20---394--C	PULLEY
-5-F--20---481--S	RING
-5-F--20---482--S	PISTON
-5-F--20--4942--S	COVER
-5-F--20--5232--S	KEY
-5-F--20--5352--S	FORK
-5-F--20--660001S	GASKET
-5-F--20--660002S	SUCTION VALVE
-5-F--20---676--S	SEAL
-5-F--20---677--S	HEAD
-5-F--20---752--S	UNLOADER KIT
-5-F--20---781--S	LIQUID SIGHT GLASS
-5-F--20---847--S	COUPLING
-5-F--20---861--S	PULLEY PACKAGE
-5-F--20---891--S	PULLEY PACKAGE
-5-F--20---932--S	BEARING PULLER
-5-F--20-A-272--C	PUMP
-5-F--20-A-563--S	POWER CONTROL KIT
-5-F--20-A-752--C	UNLOADER KIT
-5-F--20-B-103--C	EXCHANGER
-5-F--30--1003--S	SLEEVE
-5-F--30--1012--S	BEARING
-5-F--30---132--S	STRAINER
-5-F--30--136101S	GASKET (MULT 12)
-5-F--30--1831--S	GASKET
-5-F--30--1844--S	CRANKSHAFT
-5-F--30---333--S	UNLOADER OIL TUBE
-5-F--30--3442--S	BEARING

For other codes, please consult us

www.carrier-ercd.com



CARRIER

5F & 5H Compressors spare parts

Ordering Reference	Description
-5-F--30--3452--S	BEARING
-5-F--30---394--C	FLYWHEEL
-5-F--30---677--S	BEARING
-5-F--30---847--S	COUPLING
-5-F--30---921--S	PULLEY PACKAGE
-5-F--36--1032--S	GASKET
-5-F--40--1012--S	BEARING
-5-F--40--1022--S	BEARING
-5-F--40---102--S	COVER
-5-F--40--1042--C	GASKET
-5-F--40--1052--S	COVER
-5-F--40--1083--S	GASKET (MULT 12)
-5-F--40--1123--S	TUBE
-5-F--40---114--S	CRANKSHAFT
-5-F--40--1153--S	TUBE
-5-F--40--1203--S	HEAD
-5-F--40---120--S	VALVE PLATE
-5-F--40--1211--S	GASKET (MULT 12)
-5-F--40--1213--S	HEAD
-5-F--40--1233--S	TUBE
-5-F--40---132--S	STRAINER
-5-F--40---172--C	COLLECTOR
-5-F--40--1751--S	WASHER (MULT 6)
-5-F--40--1761--S	BAG OF 6 WASHERS
-5-F--40---237--S	GRILLE
-5-F--40---276--S	SEAL
-5-F--40---2783--S	SPRING (MULT 6)
-5-F--40---307--S	SEAL
-5-F--40--3442--S	BEARING
-5-F--40--3452--S	BEARING
-5-F--40--3462--S	BEARING
-5-F--40--3472--S	BEARING
-5-F--40--3742--S	CASING
-5-F--40---394--S	PULLEY
-5-F--40---401--S	MOTOR MOUTING PACKAGE
-5-F--40---408F--S	FRAME
-5-F--40--4512--S	GASKET
-5-F--40---4FI--A	ELECTRIC UNLOADER KIT
-5-F--40---603--C	COUPLING
-5-F--40---623--C	COUPLING
-5-F--40---677--S	CYLINDER HEAD
-5-F--40---841--S	BELT
-5-F--40---881--S	PULLEY
-5-F--40-A-164--S	COVER

For other codes, please consult us



CARRIER

5F & 5H Compressors spare parts

Ordering Reference	Description
-5-F--40-A-352--S	SUCTION FILTER
-5-F--41--1434--S	COVER
-5-F--41--1703--S	GASKET
-5-F--60--1004--S	HEAD
-5-F--60--1123--S	TUBE
-5-F--60---114--S	CRANKSHAFT
-5-F--60--1153--S	TUBE
-5-F--60--1163--S	TUBE
-5-F--60--1173--S	TUBE
-5-F--60--1233--S	TUBE
-5-F--60---132--S	SUCTION STRAINER
-5-F--60--1681--S	GASKET
-5-F--60---172--S	COLLECTOR
-5-F--60--1831--S	GASKET (MULT 12)
-5-F--60--3792--S	BAG FELT FILTER
-5-F--60---394--C	PULLEY
-5-F--60---401--S	FASTENER SET PACKAGE
-5-F--60---4FI-A	UNLOADER KIT
-5-F--60---613--S	COUPLING
-5-F--60---623--S	COUPLING
-5-F--60--660001S	GASKET
-5-F--61---502--S	GASKET
-5-H-120--1072--C	WASHER (MULT 6)
-5-H-120--1242--C	BEARING
-5-H-120--1242S3S	BEARING
-5-H-120--1279--S	MANIFOLD
-5-H-120--1334--S	OIL FILTER HOUSING
-5-H-120--1354--S	IMPELLER
-5-H-120---150--S	PUMP
-5-H-120--1593--S	SPRING (MULT 6)
-5-H-120--1643--C	SPRING (MULT 6)
-5-H-120--1683--S	SPRING (MULT 6)
-5-H-120---204--S	BEARING
-5-H-120--2113--S	LINE
-5-H-120--2133--S	TUBE
-5-H-120--2173--S	TUBE
-5-H-120--2181--S	CAP
-5-H-120--2191--S	AXLE
-5-H-120---252--S	GRILLE
-5-H-120--3301--S	STRAINER
-5-H-120--3341--S	GASKET
-5-H-120--3361--S	GASKET
-5-H-120--3381--S	VALVE CAP
-5-H-120--3401--S	SEAT

For other codes, please consult us

www.carrier-ercd.com



CARRIER

5F & 5H Compressors spare parts

Ordering Reference	Description
-5-H-120--3411--S	DISC
-5-H-120--3441--S	GROMMET
-5-H-120---351--S	OIL FILTER
-5-H-120--3672--S	BEARING
-5-H-120--3682--S	BEARING
-5-H-120--3821--S	CAP
-5-H-120--4452--S	SUCTION MANIFOLD COVER
-5-H-120--4492--S	GASKET
-5-H-120--4502--S	FERRULE
-5-H-120--4512--S	FERRULE
-5-H-120--4522--S	FERRULE
-5-H-120--4552--S	FILTER
-5-H-120--4602--S	TUBE
-5-H-120--4612--S	TUBE
-5-H-120--4642--S	GASKET (MULT 10)
-5-H-120---4FI-1AS	ELECTRIC UNLOADER PACKAGE
-5-H-120---4FI-AS	ELECTRICAL UNLOADER KIT
-5-H-120---502--S	GASKET
-5-H-120---507--S	CYLINDER HEAD WATER COULING
-5-H-120---524--S	TUBE
-5-H-120---527--S	MOUNTING KIT
-5-H-120---562--S	CRANKSHAFT
-5-H-120---623--C	COUPLING
-5-H-120---732AS	SEAL REPLACEMENT PACKAGE
-5-H-120---732--C	SEAL
-5-H-120---782--S	OIL REGULATOR
-5-H-120---794--S	STRAINER
-5-H-120---813--S	TUBE
-5-H-120---821--S	PULLEY
-5-H-120---833--S	TUBE
-5-H-120---837--S	OIL PUMP KIT
-5-H-120---861--S	BELT
-5-H-120---972--S	TUBE
-5-H-120-A-773--S	PUMP
-5-H-120-B-283--S	OIL COOLER
-5-H-120-B-323--S	COVER
-5-H-121--1703--S	GASKET
-5-H-126---113--S	TUBE
-5-H-126---134--S	TUBE
-5-H-126---562--S	CRANKSHAFT
-5-H-126---623--S	COUPLING
-5-H--40--1001--S	LIQUID SIGHT GLASS
-5-H--40--1002--S	DEMI-COUSSINET (MULT 4)
-5-H--40--1002S3S	BEARING (MULT 4)

For other codes, please consult us



CARRIER

5F & 5H Compressors spare parts

Ordering Reference	Description
-5-H--40--1003--S	SLEEVE
-5-H--40--1011--S	GASKET
-5-H--40--1012--S	BEARING
-5-H--40--1012S3S	BEARING
-5-H--40--1021--S	GLAND
-5-H--40--1022--S	BEARING
-5-H--40--1022S3S	BEARING
-5-H--40--102--S	COVER
-5-H--40--1031--S	BEARING
-5-H--40--1032--S	GASKET
-5-H--40--103--S	CONNECTING ROD
-5-H--40--1042--S	GASKET (MULT 12)
-5-H--40--1051--S	AXLE (MULT 6)
-5-H--40--1052--S	COVER
-5-H--40--1062--S	WASHER (MULT 6)
-5-H--40--1071--S	RING (MULT 4)
-5-H--40--1072--S	WASHER (MULT 6)
-5-H--40--1082--S	WASHER (MULT 12)
-5-H--40--1083--S	GASKET (MULT 30)
-5-H--40--1091--S	RING
-5-H--40--1093--S	GASKET
-5-H--40--1103--S	VALVE PLATE
-5-H--40--1113--S	GASKET (MULT 12)
-5-H--40--1121--S	NUT
-5-H--40--1132--C	DISCHARGE CHECK VALVE.
-5-H--40--1141--C	CAP
-5-H--40--1142--C	SUCTION CHECK VALVE
-5-H--40--1163--S	TUBE
-5-H--40--1171--S	GASKET (MULT 12)
-5-H--40--1181--S	GASKET
-5-H--40--1191--S	GASKET
-5-H--40--1201--S	LOCK WASHER
-5-H--40--1304--S	COVER
-5-H--40--1342--S	TUBE
-5-H--40--1361--S	GASKET (MULT 12)
-5-H--40--1371--S	GASKET (MULT 12)
-5-H--40--1401--S	WASHER (MULT 6)
-5-H--40--1411--S	GASKET (MULT 12)
-5-H--40--1423--S	GASKET (MULT 10)
-5-H--40--1451--S	GASKET (MULT 12)
-5-H--40--1531--S	FERRULE
-5-H--40--1541--S	FERRULE
-5-H--40--1553--S	GUIDE
-5-H--40--1621--S	GASKET (MULT 12)

For other codes, please consult us

www.carrier-ercd.com



CARRIER

5F & 5H Compressors spare parts

Ordering Reference	Description
-5-H-40-163-S	ELEMENT
-5-H-40-1701-S	GASKET (MULT 12)
-5-H-40-1711-S	GASKET (MULT 12)
-5-H-40-1731-S	ROD
-5-H-40-1752-S	SLEEVE
-5-H-40-1782-S	PISTON
-5-H-40-1791-C	SPRING (MULT 12)
-5-H-40-1802-S	SPRING (MULT 6)
-5-H-40-1811-S	WASHER (MULT 6)
-5-H-40-1814-S	FORK
-5-H-40-1822-S	SPRING (MULT 6)
-5-H-40-1943-S	TUBE
-5-H-40-1953-S	TUBE
-5-H-40-1971-S	GRILLE
-5-H-40-1981-S	DISC
-5-H-40-2001-S	GASKET (MULT 12)
-5-H-40-2221-S	RING
-5-H-40-2231-S	AXLE (MULT 6)
-5-H-40-2241-S	SPRING (MULT 12)
-5-H-40-237-S	INTERNAL FILTER
-5-H-40-242-S	PLATE
-5-H-40-2433-S	COVER GASKET
-5-H-40-276A-S	SEAL REPLACEMENT PACKAGE
-5-H-40-276-S	SEAL
-5-H-40-2812-S	SPRING (MULT 6)
-5-H-40-323-S	STRAINER
-5-H-40-3273-S	ADAPTER
-5-H-40-3363-S	WASHER (MULT 6)
-5-H-40-3413-S	SHAFT SEAL COVER PLATE
-5-H-40-3612-S	BEARING (MULT 4)
-5-H-40-3622-S	HALF BEARING 020" (MULT 4)
-5-H-40-3632-S	BEARING
-5-H-40-3642-S	BEARING
-5-H-40-3652-S	BEARING
-5-H-40-3662-S	BEARING
-5-H-40-3692-C	GASKET
-5-H-40-394-C	PULLEY
-5-H-40-3982-S	VALVE CAP
-5-H-40-477-S	SEAL ASSEMBLY
-5-H-40-481-S	COMPRESSION & OIL RING KIT
-5-H-40-482-S	PISTON
-5-H-40-4FI-1AS	ELECTRIC UNLOADER PACKAGE
-5-H-40-502-S	GASKET
-5-H-40-507-C	CYLINDER HEAD WATER COULING

For other codes, please consult us



CARRIER

5F & 5H Compressors spare parts

Ordering Reference	Description
-5-H--40--562--S	CRANKSHAFT
-5-H--40--588-ES	FRAME
-5-H--40--588-GS	FRAME
-5-H--40--588-HS	FRAME
-5-H--40--588-JS	FRAME
-5-H--40--588-KS	FRAME
-5-H--40--588-MS	FRAME
-5-H--40--598--K	COMPRESSOR BASE
-5-H--40--613--C	COUPLING
-5-H--40--653--S	ISOLATOR PACKAGE
-5-H--40--660002S	UNLOADER BYPASS PKG
-5-H--40--677--S	PUMP
-5-H--40--703--C	COVER
-5-H--40--711--S	FASTENER PACKAGE MOTOR
-5-H--40--7252--S	SLEEVE
-5-H--40--7322--S	SPRING (MULT 12)
-5-H--40--772--S	TUBE
-5-H--40--871--S	BELT
-5-H--40-A-274--C	OIL FILTER
-5-H--40-A-372--S	PUMP
-5-H--40-A-564--S	CYLINDER HEAD
-5-H--40-B-283--S	OIL COOLER
-5-H--40-B-303--S	CARBON WASHER
-5-H--40-B-343--S	PUMP
-5-H--41--1019--S	HEAD
-5-H--41--1703--S	GASKET
-5-H--46--1003--S	SLEEVE
-5-H--46--1071--S	RING
-5-H--46--114--S	CRANKSHAFT
-5-H--46--481--S	RING PACKAGE
-5-H--46--482--S	PISTON
-5-H--60--1004--S	HEAD
-5-H--60--1133--S	TUBE
-5-H--60--1143--S	TUBE
-5-H--60--114--S	CRANKSHAFT
-5-H--60--1153--S	TUBE
-5-H--60--1163--S	TUBE
-5-H--60--1203--S	HEAD
-5-H--60--1213--S	HEAD
-5-H--60--132--S	STRAINER
-5-H--60--1342--S	TUBE
-5-H--60--1632--S	GASKET (MULT 12)
-5-H--60--1681--S	GASKET (MULT 12)
-5-H--60--1714--S	FLANGE

For other codes, please consult us

www.carrier-ercd.com



CARRIER

5F & 5H Compressors spare parts

Ordering Reference	Description
-5-H--60--1831--S	GASKET
-5-H--60---394--C	PULLEY
-5-H--60---4032-S	SUCTION FILTER
-5-H--60--4F1-1AS	ELECTRIC UNLOADER PACKAGE
-5-H--60---502--S	GASKET
-5-H--60---507--C	CYLINDER HEAD
-5-H--60---613--C	COUPLING
-5-H--60---623--S	COUPLING
-5-H--60--7192--S	PAD
-5-H-660---005--S	ADAPTER
-5-H-660---006--S	ADAPTER
-5-H--66---562--S	CRANKSHAFT
-5-H--80--1242--C	BEARING
-5-H--80--1242S3S	BEARING
-5-H--80--1632--S	GASKET
-5-H--80--1774--S	ADAPTER
-5-H--80--1794--S	ADAPTER
-5-H--80--1892--S	COVER
-5-H--80---204--S	BEARING
-5-H--80---323--S	STRAINER
-5-H--80--3672--S	BEARING
-5-H--80--3682--S	BEARING
-5-H--80---394--C	PULLEY
-5-H--80--4962--C	GASKET
-5-H--80---502--S	GASKET
-5-H--80---507--S	WATER COOLED CYLINDER HEAD PACKAGE
-5-H--80---562--S	CRANKSHAFT
-5-H--80---613--S	COUPLING
-5-H--80---663--S	COUPLING
-5-H--80---673--S	VIBRATION ISOLATOR PACKAGE
-5-H--80--821--S	PULLEY
-5-H--80--853--S	TUBE
-5-H--81--1551--S	FERRULE
-5-H--86---562--S	CRANKSHAFT



CARRIER

06B Compressors spare parts

Ordering Reference	Description
06BA-400---012--EE	OIL PUMP
06BA-400---013EE-A	CONNECTING ROD
06BA-400---023EE-A	CONNECTING ROD
06BA-400---032--EE	SAFETY VALVE
06BA-400---033EE-A	CONNECTING ROD
06BA-400---072EE-A	FILTER
06BA-400---082EE-A	FILTER
06BA-400---232EE-B	TERMINAL PLATE ASSEMBLY
06BA-400---762--EE	CRANKSHAFT
06BA-500---001--EE	SPRING
06BA-500---011--EE	DISCHARGE CHECK VALVE.
06BA-500---012EE-A	VALVE PLATE GUIDE
06BA-500---031--EE	SUCTION CHECK VALVE
06BA-500---032--EE	PLATE
06BA-500---033EE-A	PUMP BEARING
06BA-500---041--EE	GUIDE RING
06BA-500---042EE-A	SEAT PLATE
06BA-500---052--EE	SEAT PLATE
06BA-500---053--EE	LATERAL CYLINDER HEAD
06BA-500---073--EE	CENTRAL CYLINDER HEAD
06BA-500---081EE-A	KEY
06BA-500---082--EE	COMPRESSOR FOOT
06BA-500---091--EE	ROTOR BRAKE
06BA-500---093EE-A	BOTTOM COVER PLATE
06BA-500---101--EE	ROTOR WASHER
06BA-500---102--EE	PUMP END COVER
06BA-500---111EE-A	OIL SUCTION TUBE NLA
06BA-500---113EE-B	MOTOR END COVER
06BA-500---121--EE	LEVEL PLUG
06BA-500---132EE-A	GASKET
06BA-500---142EE-A	GASKET
06BA-500---152EE-A	GASKET
06BA-500---162EE-A	CENTRAL CYLINDER HEAD GASKET
06BA-500---172EE-A	GASKET
06BA-500---181--EE	PISTON AXLE
06BA-500---182EE-A	GASKET
06BA-500---192--EE	GASKET
06BA-500---201EE-A	ROTOR KEY
06BA-500---212--EE	CLOSING PLATE
06BA-500---231--EE	WASHER



CARRIER

06B Compressors spare parts

Ordering Reference	Description
06BA-500---232EE-A	PISTON
06BA-500---242--EE	RING
06BA-500---252--EE	RING
06BA-500---261--EE	PIN
06BA-500---271--EE	PIN
06BA-500---291--EE	PIN
06BA-500---301--EE	NUT
06BA-500---311--EE	SCREW
06BA-500---321--EE	PIN
06BA-500---331--EE	PIN
06BA-500---341--EE	CONNECTING ROD SCREW
06BA-500---351--EE	GASKET
06BA-500---361--EE	AXLE
06BA-500---391--EE	DISC
06BA-500---412--EE	PISTON
06BA-500---431--EE	SCREW
06BA-500---451--EE	SCREW
06BA-500---512--EE	MODULE
06BA-500---571--EE	CAP
06BA-500---591--EE	ELASTIC RING
06BA-500---601--EE	SCREW
06BA-500---612--EE	SPACER
06BA-500---622--EE	SPACER
06BA-500---641--EE	SPRING
06BA-500---661EE-A	THERMISTOR
06BA-500---722--EE	COPPER WASHER
06BA-500---872--EE	ROTOR KEY
06BA-500---972EE-C	TERMINAL BOX
06BA-500---982EE-C	TERMINAL BOX COVER
06BA-500---992EE-B	TERMINAL BOX GASKET
06BA-501---212--EE	PUMP SPRING
06BA-501---232--EE	GASKET
06BA-501---272EE-A	FILLER PLATE
06BA-501---282EE-A	FILLER PLATE
06BA-501---292--EE	TERMINAL INSULATION
06BA-501---322EE-A	CLOSING PLATE GASKET
06BA-501---332EE-A	GASKET
06BA-501---352EE-A	GASKET
06BA-501---412--EE	SCREW
06BA-501---432--EE	CRANKCASE HEATER CLIP NLA



CARRIER

06B Compressors spare parts

Ordering Reference	Description
06BA-501---532--EE	GASKET
06BA-501---542--EE	GASKET
06BA-501---552--EE	O-RING
06BA-501---592--EE	GASKET
06BA-501---612--EE	CENTER BEARING
06BA-660---092--EE	VALVE PLATE
06BA-660---192--EE	DISCHARGE VALVE
06BA-660---352--EE	CRANKSHAFT
06BP-450---614--EE	MOTOR
06BP-460---012--S	ROTOR
06BP-460---613--S	STATOR
06BP-460---614--EE	MOTOR
06BP-470---624--EE	MOTOR
06DA-403---844-OEM	COUPLING
06EA-500---752--EE	OIL SIGHT GLASS
06EA-501---253-OEM	GASKET
06QA-400---521--EE	CONNECTING ROD
-6-D-40---162--C	VALVE
--AA--12AW-202--EE	SCREW
--AA--12AW-237--EE	SCREW
--AA--12AW-268--E-	SCREW
--AA--12AW-299--E-	SCREW
--AA--12AW-309--E-	SCREW
--AA--12BC-233--E-	SCREW
--AA--12BC-266--EE	SCREW
--AE--12AA-016--EE	SCREW
--AH--12AA-003--EE	WASHER
--AI--12AA-003--EE	WASHER
--AS--12CB-012--EE	NUT
--CA--63AA-051--S	CAP
--CA--64AA-001--S	CAP
--CA--64AM-225--S	PLUG
--CA--64AT-051--S	CAP
--DD--19CA-061--S	PLUG
--EM--99GA-516--C	GASKET
--EM--99GA-520--C	GASKET
--KK--71GW-015--C	O-RING
--KK--71PR-010--S	O-RING
--UD--12AA-003--EE	PLUG
--UD--12AB-002--EE	CAP 3/8" MALE



CARRIER

Electronic expansion valves

Ordering Reference	Type	Capacity (tons)	Connection size (inch)	Step
30GX-434---402--EF	LEXV III	-	1-5/8	15000
30GX-434---412--EE	LEXV III	-	1-5/8	15000
30GX-434---422--EF	LEXV III	-	1-5/8	15000
30GX-434---432--EF	EXV III	-	1-1/8	15000
30GX-434---442--EF	EXV III	115	1-1/8	15000
30GX-434---452--EF	EXV III	-	1-1/8	15000
30GX-434---462--EF	EXV III	-	1-1/8	15000
30GX-434---472--EF	EXV III	-	1-1/8	15000
30HX-415---612--EF	EXV III	-	1-5/8	15000
30HX-415---622--EF	LEXV III	-	1-5/8	15000
30HX-415---632--EF	EXV III	-	1-1/8	15000
30HX-415---642--EF	EXV III	-	1-1/8	15000
30HZ-402---252--EF	LEXV III	-	1-5/8	15000
30HZ-402---262--EF	LEXV III	-	1-5/8	15000
30HZ-402---302--EE	EXV III	20	1-1/8	15000
30HZ-402---312--EF	EXV III	-	1-1/8	15000
30HZ-402---322--EF	EXV III	40	1-1/8	15000
30HZ-402---332--EE	EXV III	50	1-1/8	15000
30HZ-402---342--EE	EXV III	-	1-1/8	15000
30HZ-402---362--EE	EXV III	90	1-1/8	15000
32GB-400---754--C	LEXVI	110	1-1/8	1500
32GB-400---764--C	LEXVI	125	1-5/8	1500
32GB-400---784--C	LEXVI	175	1-5/8	1500
32GB-402---384--C	EXVII	55	1-1/8	1500
32GB-402---394--C	EXVII	75	1-1/8	1500
32GB-402---404--C	EXVII	100	1-1/8	1500
32GB-402---414--C	EXVII	65	1-1/8	1500
32GB-402---424--C	EXVII	60	1-1/8	1500
32GB-402---434--S	EXVII	-	1-1/8	-
32GB-402---504--S	EXVII	-	1-1/8	-
32GB-402---524--S	EXVII	-	1-1/8	-
32GB-402---534--C	EXVII	20	7/8	1500
32GB-402---544--C	EXVII	30	7/8	1500
32GB-402---554--C	EXVII	40	7/8	1500
32GB-402---564--C	EXVII	50	7/8	1500

For other codes, please consult us



CARRIER

Electronic expansion valves

Ordering Reference	Type	Capacity (tons)	Connection size (inch)	Step
32GB-402---574--C	EXVII	50	1-1/8	1500
32GB-402---584--C	EXVII	60	1-1/8	1500
32GB-402---594--C	EXVII	75	1-1/8	1500
32GB-402---604--C	EXVII	90	1-1/8	1500
32GB-402---614--C	EXVII	110	1-1/8	1500
32GB-402---674--S	EXVII	NC	1-1/8	-
32GB-402---704--C	EXVII	80	1-1/8	-
32GB-403---094--S	EXVII	20	7/8	760
32GB-403---104--S	EXVII	30	7/8	760
32GB-403---114--S	EXVII	40	7/8	760
32GB-403---124--S	EXVII	50	7/8	760
32GB-403---134--S	EXVII	60	7/8	760
32GB-403---144--S	EXVII	75	1-1/8	760
32GB-403---154--S	EXVII	90	1-1/8	760
32GB-403---164--S	EXVII	110	1-1/8	760
32GB-403---174--S	EXVII	110	1-1/8	760
32GB-403---184--S	EXVII	NC	1-1/8	760
32GB-403---194--S	EXVII	NC	1-1/8	760
32GB-403---204--S	EXVII	NC	1-1/8	760
32GB-403---224--S	EXVII	20	7/8	760
32GB-403---234--S	EXVII	30	7/8	760
32GB-403---244--S	EXVII	40	7/8	760
32GB-403---254--S	EXVII	50	7/8	760
32GB-403---264--S	EXVII	60	1-1/8	760
32GB-403---274--S	EXVII	75	1-1/8	760
32GB-403---284--S	EXVII	90	1-1/8	760
32GB-403---824--S	EXV III	20	1-1/8	15000
32GB-403---844--S	EXV III	40	1-1/8	15000
32GB-403---854--S	EXV III	50	1-1/8	-
32GB-403---884--S	EXV III	75	1-1/8	15000
32GB-403---894--S	EXV III	90	1-1/8	15000
32GB-403---904--S	EXV III	110	1-1/8	15000
32GB-403---914--S	EXV III	120	1-1/8	15000
32GB-404---034--S	EXV III	NC	1-1/8	-
32GB-404---154--C	LEXV III	110	1-5/8	15000

For other codes, please consult us



CARRIER

Electronic expansion valves

Ordering Reference	Type	Capacity (tons)	Connection size (inch)	Step
32GB-404---164--C-	LEXV III	120	1-5/8	15000
32GB-404---174--C-	LEXV III	130	1-1/8	15000
32GB-404---234--S	EXV III	80	1-1/8	15000
32GB-404---264--S	EXV III	115	1-1/8	15000
32GB-404---424--S	EXV III	50	1-1/8	15000
32GB-404---454--C-	EXV III	100	1-1/8	15000
32GB-404---464--C-	EXV III	65	1-1/8	15000
32GB-404---474--C-	EXV III	60	1-1/8	15000
32GB-404---484--C-	LEXV III	110	1-1/8	15000
32GB-404---504--C-	LEXV III	150	1-1/8	15000
32GB-404---544--C-	LEXV III	125	1-1/8	15000

For other codes, please consult us



PARKER

Expansion valves

Ordering Reference	Type	Capacity (tons)	Connection size (inch)	Step
00PPG000460200A	ESX14A	2	3/8 X 3/8	500
00PPG000460300A	ESX18A	3,5	3/8 X 3/8	500
00PPG000460400A	ESX24B	7	3/8 X 1/2	500



DANFOSS

Electronic expansion valves

Ordering Reference	Power (Watts)	Connection size (inch)	Maximum working pressure (bar)
00PPG000446703A	1394	2 1/8 IN X 2 1/8 IN	34
00PPG000479300A	70	5/8 IN X 5/8 IN ODF/ODM	45,5
00PPG000479400A	144	7/8 IN X 7/8 IN ODF/ODM	45,5
00PPG000481400A	262	7/8 IN X 7/8 IN	45,5



CARRIER

Electronic expansion valves

Max. working pressure: 45.5 bar (660 psig)
 Refrigerant temperature range: -40 - 10°C
 Ambient temperature: -40 - 60°C
 Motor enclosure : IP67

Ordering Reference	Connection size (inch)	Capacity (kW)
--EF--05BD-271--EE	7/8 ODF X 1-1/8 ODF	50
--EF--05BD-273--EE	1-5/8 ODF X 1-5/8 ODF	400
--EF--05BD-331--EE	1-1/8 ODF X 1-1/8 ODF	100
--EF--05BD-333--EE	1-3/8 ODF X 1-3/8 ODF	250
--EF--05BD-391--EE	1-1/8 ODF X 1-1/8 ODF	50
--EF--05BD-451--EE	7/8 ODF X 7/8 ODF	25



ALCO

Complete thermostatic expansion valve (sold connections)

Capacity R22 at + 4°C evaporating temperature with + 38°C condensing temperature

Ordering Reference	Type	Nominal capacity (kW)	Cage assembly code	Power element code
--XA--12AB-005--EE	TCLE 50HW	1,9	X22440-B1B	XB1019HW100-1B
--XA--12AB-010--EE	TCLE 100HW	3,7	X22440-B2B	XB1019HW100-1B
--XA--12AB-200--EE	TCLE 200HW	7,9	X22440-B3B	XB1019HW100-1B
--XA--12AB-501--EE	TCLE 500HW	22,2	X22440-B5B	XB1019HW100-1B
--XA--12AN-001--EE	TCLE 750HW	30,4	X22440-B6B	XB1019HW100-1B
--XA--12AB1001--EE	TCLE 1000HW	41,1	X22440-B7B	XB1019HW-1B
--XA--12AN-003--EE	TCLE 1000HW	41,1	X22440-B7B	XB1019HW-1B
--XA--12AB-022--E-	TERE 22HW	91	X9117-B6B	XC726HW-2B
--XA--12AB-026--EE	TERE 26HW	104	X9117-B7B	XC726HW-2B
--EA--09KB-561--C	TERE 35HW	143	X9117-B8B	XC726HW-1B
--XA--12AB-036--EE	TERE 35HW	143	X9117-B8B	XC726HW-2B
--XA--12AB-035--EE	TERE 35HW	143	X9117-B8B	XC726HW-4B
--EA--09KB-571--C	TERE 45HW	177	X9117-B9B	XC726HW-1B
--XA--12AB-044--EE	TERE 45HW	174	X9117-B9B	XC726HW-2B
--XA--12AB-046--EE	TERE 45HW	174	X9117-B9B	XC726HW-4B
--EA--09KB-595--C	THRE 75HW	295	X9144-B11B	XC726HW
--XA--12AB-076--EE	THRE 75HW	253	X9144-B11B	XC726HW-2B
--EA--09KB-598--C	THRE 100HW	393	X9144-B13B	XC726HW
--XA--12AB-100--EE	THRE 100HW	302	X9144-B13B	XC726HW1001B
--EA--09KB-581--C	TIRE 55HW	216,3	X9166-B10B	XC726HW-1B
--XA--12AB-056--EE	TIRE 55HW	223	X9166-B10B	XC726HW-2B
--XA--12AB-057--EE	TIRE 55HW	223	X9166-B10B	XC726HW-2B
--XA--12AB1800--EE	TJLE 1800HW	-	XC724-B5B	XB1019HW100-1B
--XA--12AB1400--EE	TJLE 1400HW	-	XC724-B4B	XB1019HW100-1B
--XA--12AB-015--EE	TJRE 14HW	58	X11873B4B	XB1019HW-1B
--XA--12AB-019--EE	TJRE 18HW	74	X11873B5B	XB1019HW-1B



ALCO

Thermostatic expansion valves shipped (without body flange assy) with screws, gaskets, cage, power element and bulbe collar

Nominal capacity (kW) R134A to + 4°C (evaporating temperature) + 38°C (condensing temperature)

Ordering Reference	Type	Nominal capacity (kW)	Cage assembly code	Power element code
--XA--12BM-050--EE	TCLE 550NW	24	X22440-B5B	XB1019NW-1B
--XA--12BM-060--E-	TCLE 750NW	32,9	X22440-B6B	XB1019NW-1B
--XA--12BM-070--EE	TCLE 1000NW	44,4	X22440-B7B	XB1019NW-1B
--XA--12BM-111--EE	TERE 21NW	99	X9117-B6B	XC726NW-2B
--XA--12BM-121--EE	TERE 25NW	112	X9117-B7B	XC726NW-2B
--XA--12BM-131--EE	TERE 33NW	155	X9117-B8B	XC726NW-2B
--XA--12BM-141--EE	TERE 42NW	188	X9117-B9B	XC726NW100-2B
--XA--12BM-151--EE	TIRE 52NW	241	X9166-B10B	XC726NW-2B
--XA--12BM-090--EE	TJRE 14NW	62	X11873-B4B	XB1019NW -1B
--XA--12BM-091--EE	TJRE 14NW	62	X11873-B4B	XB1019NW100-2B
--XA--12BM-100--EE	TJRE 17NW	80	X11873-B5B	XB1019NW-1B
--XA--12BM-101--EE	TJRE 17NW	80	X11873-B5B	XB1019NW-2B

VALVES / R134A THERMOSTATIC EXPANSION VALVES



ALCO

Thermostatic expansion valves shipped (without body flange assy) with screws, gaskets, cage, power element and bulbe collar

Nominal capacity (kW) R134A to + 4°C (evaporating temperature) + 38°C (condensing temperature)

Ordering Reference	Type	Nominal capacity (kW)	Cage assembly code	Power element code
--XA--12HA-002--EE	TERE 16MW	71	X9117-B6B	XC726MW
--XA--12HA-007--EE	TERE 19MW	81	X9117-B7B	XC726MW
--XA--12HA-015--EE	TERE 31MW	135	X9117-B9B	XC726NW55-4B
--XA--12HA-006--EE	THRE 55MW	-	X9144-B11B	XC726MW55-2B
--XA--12HA-016--EE	THRE 55MW	197	X9144-B11B	XC726NW55-4B
--XA--12HA-017--EE	THRE 68MW	236	X9144-B13B	XC726MW
--XA--12HA-004--EE	TIRE 45MW	174	X9166-B10B	XC726MW
--XA--12HA-005--EE	TJRE 13MW	57	X11873-B5B	XB1019NW55-2B

For other codes, please consult us



ALCO

Complete thermostatic expansion valve (sold connections)

Capacity R22 at + 4°C evaporating temperature with + 38°C condensing temperature

Ordering Reference	Type	Nominal capacity (kW)	Outlet diameter size (inch)	Inlet diameter size (inch)
--XA--12DM-016--EE	TX6-H16	61.9	1-1/8 ODF	7/8 ODF
--XA--12DM-017--E-	TX6-H17	80.8	1-1/8 ODF	7/8 ODF



DANFOSS

Complete thermostatic expansion valve (sold connections)

Evaporating range -25°C / +10°C
 Maximum working pressure 30 bar
 1/4 SAE external pressure equalization

Ordering Reference	Type	Capacity (tons)	Outlet diameter size (inch)	Inlet diameter size (inch)
--XA--12DF-009--EE	TKEX3-5	5	5/8 ODF	1/2 ODF
--XA--12DF-010--EE	TKEX8-7.5	7.5	7/8 ODF	5/8 ODF
--XA--12DF-014--EE	TKEX8-12	12	1-1/8 ODF	5/8 ODF
--XA--12DF-015--EE	TGEX	-	SOLD ODF	SOLD ODF
--XA--12DF-016--EE	TKEX20-25	25	1-3/8 ODF	7/8 ODF



SPORLAN

Complete thermostatic expansion valve (sold connections)

Ordering Reference	Type	Capacity (kW)	Connection size (inch)	Capillary length (m)
--EA--02SC-362--S	SVE5GA	17,5	5/8 - 5/8 ODF	1,5
--EA--03PC-462--S	PVE11GA	38,5	5/8 - 1-3/8 ODF	1,5
--EA--03PC-503--S	PVE16GA	56	7/8 - 1-3/8 ODF	1,5
--EA--03PC-519--S	PVE20GA	70	7/8 - 1-3/8 ODF	1,5



ALCO

Complete thermostatic expansion valve (sold connections)

Capacity R407C at + 4°C evaporating temperature with + 38°C condensing temperature

Ordering Reference	Type	Nominal capacity (kW)	Outlet diameter size (inch)	Inlet diameter size (inch)
--XA--12DN-013--EE	TX6-N13	25,6	5/8 ODF	1/2 ODF
0150408H48	TX6-N14	35,7	5/8 ODF	7/8 ODF
0150408H49	TX6-N15	45,2	5/8 ODF	7/8 ODF
--XA--12DN-016--EE	TX6-N16	66,9	1-1/8 ODF	7/8 ODF
--XA--12DN-017--EE	TX6-N17	87,3	1-1/8 ODF	7/8 ODF



DANFOSS

Complete thermostatic expansion valve (sold connections)

The rated capacity is based on: evaporating temperature (te) +5°C condensing temperature (tc) +32°C, refrigerant liquid temperature (tl) +28°C, opening superheat OS = 4K

Ordering Reference	Type	Capacity (kW)	Connection size (inch)	Capillary length (m)
--XA--12CA-034--EE	TDEBZ20	70	7/8 - 1-1/8 ODF	3
--XA--12CA-039--EE	TDEZ12,5	44	5/8 - 1-1/8 ODF	1,5
0150408H53	TGEZ	25	7/8 - 5/8	1,500
068H7171	TGEZ	42	1-1/8 - 5/8	1,5
0150408H54	TGEZ	42	7/8 - 5/8	1,500
0150408X55	TGEZ	53	1-1/8 - 5/8	1,500
00000033160040017	TGEZ	53	1-1/8 - 7/8	3
067L2070	TGEZ	62	1-1/8 - 7/8	1,5
067N4097	TGEZ	62	1-1/8 - 7/8	3
--XA--12CA-036--EE	TGEZ	121	1-3/8 - 1-1/8	3



CARRIER

Ball valves (installed in 30XA units)

Sold connection

Ordering Reference	Outlet connection (inch)	Inlet connection (inch)	Maximum working pressure (bar)	Curved valve
00PPG000007000	2-1/8 FEMALE	2-5/8 MALE	48	X
00PPG000006800C	1-1/8 FEMALE	1-1/8 FEMALE	48	X
00PPG000006900	1-5/8 FEMALE	1-5/8 FEMALE	48	X
00PPG000007100	2-5/8 FEMALE	2-5/8 MALE	48	X
00PPG000030401A	2-1/8 FEMALE	2-1/8 FEMALE	48	-
00PPG000030402A	2-5/8 FEMALE	2-5/8 FEMALE	48	-
00PPG000030403A	1-1/8 FEMALE	1-1/8 FEMALE	48	-
00PPG000030404A	7/8 FEMALE	7/8 FEMALE	48	-
00PPG000030405A	3-1/8 FEMALE	3-1/8 FEMALE	48	-
00PPG000030406A	5/8 FEMALE	5/8 FEMALE	48	-
--EP--71BA-233--S	5/8 FEMALE	5/8 FEMALE	48	-
--EP--71BA-283--EE	7/8 FEMALE	7/8 FEMALE	48	-
--EP--71BA-343--EE	1-1/8 FEMALE	1-1/8 FEMALE	48	-
--EP--71BA-393--EE	1-3/8 FEMALE	1-3/8 FEMALE	48	-
--EP--71BA-463--EE	1-5/8 FEMALE	1-5/8 FEMALE	48	-



CASTEL

Ball valves

Ordering Reference	Connection size (inch)	Maximum working pressure (bar)	Straight valve
--XL--12EJ-001--EE	3/8	45	X
--XL--12EJ-003--EE	5/8	45	X
--XL--12EJ-005--EE	7/8	45	X
--XL--12EJ-008--E-	1-5/8	45	X
--XL--12EJ-009--E-	2-1/8	45	X
--XL--12EJ-010--E-	2-5/8	45	X
--XL--12EJ-012--EE	1-5/8	45	X
--XL--12QA-002--EE	1/2 - 1/2	55	X
--XL--12QA-003--EE	1	55	X



DANFOSS

Ball valves

Ordering Reference	Connection size (inch)	Working temperature range (°C)	Maximum working pressure (bar)
00PPG000023501A	1 1/8 IN	-40 - 150 °C	45
00PPG000023502A	1 3/8 IN	-40 - 150 °C	45
00PPG000023503A	1 5/8 IN	-40 - 150 °C	45
00PPG000452201A	3 1/8 IN	-40 - 150 °C	45
--XL--12AJ-001--EE	1/4 IN	-55 - 100 °C	28
--XL--12AJ-003--EE	1/2 IN	-55 - 100 °C	28
--XL--12AJ-004--EE	5/8 IN	-55 - 100 °C	28

For other codes, please consult us

www.carrier-ercd.com



CARRIER

Actuated ball valves and actuator (installed in 30XA units)

Actuated ball valves shipped without actuator is
00PPG000030900A rotation angle 90°, 24V

Sold connections

Ordering Reference	Connection size (inch)	Working pressure (bar)	Maximum working pressure (bar)	Straight valve
00PPG000012500A	2-5/8 FEMALE	-0,9 / + 25	48	X
00PPG000012600A	2-1/8 FEMALE	-0,9 / + 25	48	X

VALVES / COOLING 2 WAYS WATER VALVES



CARRIER

Cooling 2 ways water valves

Ordering Reference	Connection size (inch)
0150404H60	1/2 MALE
0150404X61	3/4
0150425H07	1/2
0150425H09	1
0150425H08	3/4
--XL--12AU-054--EE	1/2



CARRIER

Cooling 3 ways water valves

Ordering Reference	Connection size (inch)
00PPG000023600A	2-1/8
00PPG000023800A	2-5/8
0150404H41	3/4 FEMALE
0150404H42	1 FEMALE
0150404H59	3/4 MALE
0150404H83	1 MALE
0150404H97	1
0150404X33	3/4 FEMALE
0150404X58	1/2 MALE
0150404X64	1/2
0150425H23	1/2
0150425H24	3/4
--XL--12AF-002--EE	3/4
--XL--12CA-021--EE	1/2
--XL--12FA-035--EE	1/2 NPT - 1/2 NPT
XL12FA038EE	1/2
--XL--12FA-047--EE	3/4 NPT- 3/4 NPT
--XL--12FA-049--EE	3/8 NPT- 3/8 NPT



CARRIER

Cooling 4 ways water valves

Valves

Ordering Reference	Connection size (inch)
0150404H40	1/2 MALE
0150404H89	1/2 MALE
0150404H90	3/4 MALE
0150404H91	1/2 MALE
0150404H92	3/4 MALE
0150404X32	1/2 MALE

VALVES / COOLING WATER VALVES ACTUATOR



CARRIER

Cooling water valves actuator

Ordering Reference	Type	Type	Power (Watt)	Voltage
0150404H62	-	22C	2,5	230
0150404X34	ORANGE EA220	-	-	-
0150404H43	ÉTÉ 220	18	-	-
0150404H63	M4450A	3	-	-



CARRIER

4 ways valves (installed in 30RQ) shipped without coil

24V, 50Hz coil code is 00PPG000018800A, model VHV-01AB522AI, 7W

Ordering Reference	Type	Capacity (kW)	Suction sold connection size (mm)	Discharge sold connection size (mm)
00PPG000017400B	VHV3003	60 - 124	28.5	41.2
00PPG000017500B	VHV-4002	115 - 188	41.2	41.7
00PPG000017600A	VHV-5002	145 - 255	41.2	54.4
00PPG000017700B	VHV-6001	230 - 360	41.2	67



RANCO & INVENSYS

4 ways valves shipped without coil

Please contact us for the coil references

Ordering Reference	Type	Capacity (kW)	Capacity (tons)	Suction sold connection size (inch)
0150412X32	V6-414080100	18,99	-	22,36
0150412X46	V12-4220T0200	46,78	-	35,13
--EF--17BG-247--S	L30	19	5,5	3/4
--XL--12CA-003--EE	V10-318140-100	33	9,5	1-1/8
--XL--12CA-004--EE	LB6	70	20	1-3/8
--XL--12CA-010--EE	LB6	180	NC	2-5/8



DANFOSS

Solenoid Valves

Shipped with 220V 50Hz coil (AMP connectors)

You can also adapt these 2 coils :

-XM-12YA-010-EE = 220V, 10W coil

-XM-12ZN-017-EE = 24V, 10W coil

Ordering Reference	Type	Nominal capacity (kW) from +4° to +38°C	Piping diameter size (inch)	Fluid working temperature (°C)
00PPG000008502A	EVRH25S	-	1/8	-40 / +105
00PPG000008504A	EVRH40	-	1-5/8	-40 / +105
00PPG000008507A	EVR6	0,8	3/8	- 40 / + 105
00PPG000008508A	EVRH10	1,9	1/2	- 40 / + 105
00PPG000018200A	EVR15	-	5/8	-
00PPG000445600A	EVRH25	-	1-1/8	-40 / +105
00PPG000467400A	EVR2	3,2	1/4	-40 / +105
00PPG000472701A	EVR10	38,2	5/8	-40 / +105
032F1172	EVR15	18,9	5/8	-
032F1188	EVR10	13,8	1/2	-
032F1189	EVR25	72,8	1 1/8	-
032F1190	EVR25	72,8	1 1/8	-
032F8072	EVR6	0,8	3/8	- 40 / + 105
032F8107	EVR3	0,270	1/4	- 40 / + 105
--XM--12AE-008--EE	S4A	-	1	-
--XM--12AE-009--EE	S4A	-	1 1/4	-
--XM--12BE-009--EE	EVR10	38,2	1/2	-40 / +105
--XM--12BE-010--EE	EVR15	52,3	5/8	-40 / +105
--XM--12BE-012--EE	EVR20	5	7/8	- 40 / + 105
--XM--12BE-016--E-	EVR25	201	1-1/8	-40 / +105
--XM--12BE-029--EE	EVR10	1,9	16 MM	- 40 / + 105
--XM--12BH-002--EE	EVR3	5,5	1/4	- 40 + 105
--XM--12BH-003--EE	EVR6	16,2	3/8	- 40 + 105
--XM--12BH-006--EE	EVR15	50,6	7/8	- 40 + 105
--XM--12BH-007--EE	EVR20	101,3	7/8	- 40 + 105
--XM--12BH-008--EE	EVR20	101,3	1-1/8	- 40 + 105
--XM--12BH-009--EE	EVR25	202,5	1-1/8	- 40 + 105
--XM--12BH-010--EE	EVR25	202,5	1-3/8	- 40 + 105
--XM--12FB-011--EE	EVR32	16	35 MM	- 40 / + 105
--XM--12FB-012--EE	EVR20	-	7/8 X 7/8	- 40 / + 105
--XM--12FB-013--E-	EVR40	25	1-5/8	- 40 / + 105



ALCO

Solenoid Valves

Shipped with 220V 50Hz coil and connector, IP65 protection

You can also adapt these 3 coils :

-XM-12CY-024-EE = 24V coil

-XM12ZA-115-EE = 115V coil

-XM-12ZA-230-EE / 000000000000801064 = 230V coil

Ordering Reference	Type	Nominal capacity (kW) from +4° to +38°C	Piping diameter size (inch)	Seating diameter (inch)
000000000000801162	240RA9T7T	46,3	7/8 ODF	1/2
000000000000801163	240RA12T7T	90,5	7/8 ODF	9/16
--XM--12AH-012--EE	200RB4T3	16,8	3/8 ODF	-
--XM--12EB-290--EE	240RA9T7T	-	7/8 ODF	6,25
--XM--12EB-331--EE	240RA16T9T	103,5	7/8 ODF	3/4



DANFOSS

TQ Valves

Ordering Reference	Expansion valve	Capacity R22 (kW)	Capacity R134A (kW)	Capacity R404A/R507 (kW)
30HX-412---312EE-A	TQ20-4	119	84	89,1
30HX-412---322EE-A	TQ20-5	133	96	102
30HX-412---302EE-A	TQ20-3	89	64,8	68,2
30HX-415---602--EF	TQ20-2	61	44,4	47,3

CARRIER

Suction valves

R22, R134A, R407C and R410A applications (exceptions below)

Maximum working pressure = 20 bar

Maximum working temperature -40°C / 70°C

Ordering reference	Taille (inch)	Maximum working pressure (bars)	Application
00PSG000472500A	4	20	R134A R22 R407C R410A
00PSG000870300A	5	20	R134A R22 R407C R410A R404A
00PSG001283400A	6	20	R134A R22 R407C R410A
00PSG001423100A	4	20	R134A R22 R407C R410A



CARRIER

Safety relief valves

Ordering Reference	Inlet/Outlet diameter (inch)	Release pressure (bar)
00PPG000030800A	3/8 NTP / 1/2 SAE	23
00PPG000030801A	3/8 NTP / 1/2 SAE	34
00PPG000030804A	3/8 NTP / 1/2 SAE	21
3030/44C/160	1/2 NTP / 3/4 G	16
3030/44C/210	1/2 NTP / 3/4 G	21
3030/44C/245	1/2 NTP / 3/4 G	24,5
3030/44C/340	1/2 NTP / 3/4 G	34
3030/66C/150	3/4 NTP / 3/4 G	15
3030/66C/170	3/4 NTP / 3/4 G	17
3030/66C/185	3/4 NTP / 3/4 G	18,5
3030/66C/245	3/4 NTP / 3/4 G	24,5
3030/66C/280	3/4 NTP / 3/4 G	28
3030/88C/245	1 NTP / 1,1/4 G	24,5
3060/34C/320	3/8 NTP / 1/2 SAE	32
3060/45C/165	1/2 NPT / 5/8 SAE	16,5
3060/45C/280	1/2 NPT / 5/8 SAE	28
3060/46C/245	1/2 NPT / 3/4 G	24,5
3060/46C/250	1/2 NPT / 3/4 G	25
3060/46C/300	1/2 NTP / 3/4 G	30
--UM--12AP-013--EE	1 NTP / 1,1/4 G	12,5
--UM--12AQ-014--E-	1/2 NPT / 5/8 SAE	14
--UM--12AQ-019--EE	1/2 NPT / 5/8 SAE	19
--UM--12AQ-020--EE	1/2 NPT / 5/8 SAE	20
--UM--12AQ-021--EE	1/2 NPT / 5/8 SAE	21
--UM--12AQ-023--EE	1/2 NPT / 5/8 SAE	23
--UM--12AQ-025--EE	1/2 NPT / 5/8 SAE	25
--UM--12AQ-030--EE	1/2 NPT / 5/8 SAE	30
--UM--12AQ-032--EE	1/2 NPT / 5/8 SAE	32
--UM--12AQ-045--EE	1/2 NPT / 5/8 SAE	45
--UM--12AQ-047--EE	1/2 NPT / 5/8 SAE	47
--UM--12AQ-185--EE	1/2 NPT / 5/8 SAE	18,5
--UM--12LA-040--E-	1/2 NPT	12,5
--UM--12LA-047--EE	1 MPT / 1 FPT	12,2

For other codes, please consult us

www.carrier-ercd.com



CARRIER

Fuses plugs

Ordering Reference	Connection size (inch)	Application	Melting Point (°C)
--EK--02JA-203--C	1/16 NPT	R22	93 TO 99
--EK--02KK-105--C	1/4 NPT	R22	98 TO 105
--EK--41JK-101--C	1/4 -1/4 NPT/FLARE	R22	98 TO 105
00PPG000018900A	3/8 NPT	R22/R407C/R134A/R410A	95 TO 104



CARRIER

Sold angle valves

R22, R134A and R407C applications

Maximum working pressure = 30 bar

Internal working temperature -20°C to +100°C

Ambient working temperature -20°C to +50°C

Ordering Reference	Connection size (inch)
--EP--12BH-211--S	5/8
--XL--12AL-002--EE	7/8
--XL--12AL-003--EE	1-1/8
--XL--12AL-004--EE	1-3/8
--XL--12AL-005--EE	1-5/8
--XL--12AU-051--EE	1-1/4 ROTALOCK



CASTEL

Screw angle valves

R22, R134A and R407C applications

Maximum working pressure = 30 bar

Internal working temperature -20°C to +100°C

Ambient working temperature -20°C to +50°C

Ordering Reference	Connection size (inch)
--XL--12AA-001--EE	1/4 - 1/4
--XL--12AA-002--EE	1/4 - 3/8
--XL--12AA-003--EE	3/8 - 1/4
--XL--12AA-004--EE	3/8 - 3/8
--XL--12AA-007--EE	1/4 - 1/4
--XL--12AA-008--EE	1/2 - 1/2
--XL--12AA-009--EE	5/8 - 1/2



CARRIER

Sold and screw angle valves

R22, R134A and R407C applications

Maximum working pressure = 30 bar

Internal working temperature -20°C to +100°C

Ambient working temperature -20°C to +50°C

Ordering Reference	Connection size (inch)
--XL--12AU-045--EE	1-1/4 ROTALOCK
--XL--12AU-046--EE	1-1/4 ROTALOCK - 7/8 ODF
--XL--12AU-047--EE	1-3/4 ROTALOCK - 1-1/8 ODF
--XL--12AU-048--EE	1-3/4 ROTALOCK - 1-3/8 ODF
--XL--12AU-049--EE	1-3/4 ROTALOCK - 1-5/8 ODF
--XL--12AU-050--EE	1-1/4 ROTALOCK



CARRIER

Brass piston

Ordering Reference	Internal orifice diameter size (mm)	Identification number
--EA--52PH-040--S	1,016	40
--EA--52PH-042--S	1,066	42
--EA--52PH-046--S	1,191	46
--EA--52PH-049--S	1,249	49
--EA--52PH-052--S	1,321	52
--EA--52PH-055--S	1,397	55
--EA--52PH-061--S	1,549	61
--EA--52PH-063--S	1,613	63
--EA--52PH-065--S	1,651	65
--EA--52PH-067--S	1,702	67
--EA--52PH-070--S	1,778	70
--EA--52PH-073--S	1,854	73
--EA--52PH-076--S	1,93	76
--EA--52PH-078--S	1,983	78
--EA--52PH-080--S	2,05	80
--EA--52PH-084--S	2,149	84
--EA--52PH-086--S	2,184	86
--EA--52PH-088--S	2,25	88
--EA--52PH-090--S	2,298	90
--EA--52PH-093--S	2,382	93
--EA--52PH-098--S	2,489	98



CARRIER

Accurators can replace capillary expansion organ

Brass body, retainer and piston
3/8 flare body connection

Ordering Reference	Description
99CC-501---052--S	PISTON ACCURATOR GASKET
99CC-502---363--S	SINGLE ACCURATOR BODY
99CC-502---443--S	DOUBLE ACCURATOR BODY
--AU--35QA-272--S	RETAINER
--KH--11HH-066--S	ACCURATOR SCREEN
--UA--12AA-002--EE	SHORT NUT 3/8 E036N

ALCO

BRASS BODY FLANGES

Ordering Reference	Description	Type	Inlet diameter (inch)	Outlet diameter (inch)
--EA--09GB-005--C	CORNER PLATE BODY FLANGE	-	1-1/8 ODM 7/8 ODF	7/8 ODF
--EA--09GB-008--C	STRAIGHT BODY FLANGE	-	1-1/8 ODM 7/8 ODF	7/8 ODF
--XA--12AI-001--EE	STRAIGHT BODY FLANGE	9152-PCN 803 286	1-1/8 ODM 7/8 ODF	7/8 ODF
--XA--12FA-002--EE	STRAIGHT BODY FLANGE	-	7/8 ODM	5/8 ODF
--XA--12FA-003--EE	STRAIGHT BODY FLANGE	10332-PCN 803 324	1-1/8 ODM 7/8 ODF	7/8 ODF
--XA--12FA-004--EE	STRAIGHT BODY FLANGE	10331-PCN 803 338	1-1/8 ODM 7/8 ODF	7/8 ODF



LEROY SOMER
Electric motors

Ordering Reference	Shaft diameter size (mm)	Speed	Weight (kg)	Capacity (W)	Voltage (V)	Speed (RPM)	Low speed (RPM)	Hight speed (RPM)
00PPG000478400A	19	-	11	580	360-460	950	-	-
00PPG000478500A	19	-	18	580	360-460	700	-	-
--DK--12AB-001--EE	15,87	1	16,37	400/3/50	930	750	-	-
--DK--12AB-005EE-1	19	1	16	400/3/50	750	750	-	-
--DK--12AB-006--EE	19	1	18	400/3/50	1000	1800	-	-
--DK--12AB-009--EE	19	1	18	400/3/50	750	750	-	-
--DK--12AB-021--EE	19	1	14	400/3/50	1000	1100	-	-
--DK--12AB-028--E-	19	1	20,5	400/3/50	1000	1800	-	-
--DK--12AB-033--E-	19	3	20,5	400/3/50	-	750	300-600	700
--DK--12AB-040--E-	19	1	20,5	400/3/50	750	750	-	-
--DK--12AB-044--EE	19	VARIABLE	17,5	400/3/50	750	750	-	-
--DK--12AB-046--E-	19	VARIABLE	19,5	400/3/50	750	750	-	-
--DK--12AB-050--E-	19	2	23	400/3/50	-	1800	470	937
--DK---12AB-050--EE	/	2	23	-	-	1800	470	937
--DK--12AB-052--EE	19	3	16,9	400/3/50	-	820	360	700
--DK--12AB-055--EE	19	VARIABLE	23,2	400/3/50	1000	1800	-	-
--DK--12AH-001--EE	15,87	1	21,3	400/3/50	1000	1100	-	-

Add 16 attachment screws code 00PPG00000402A-----



GENERAL ELECTRIC

Electric motors

CW : Clockwise

CCW : Anticlockwise

Ordering Reference	Shaft diameter size	Speed	Motor power (W)	Voltage (Volt)	Speed (RPM)	Shaft length size (inch)	Rotation (facing air discharge)
--HC--37ME-720--S	1/2»	-	149	230/3/50	1350/2	2,5	REVERSIBLE
--HC--37VE-651--S	1/2»	-	124	230/3/50	900/2	2	CW
--HC--39CA-228--S	1/2	3	-	230/1/60	1075	2,4/3,7	CCW
--HC--39ME-236--S	1/2»	-	186	230/3/50	1350/2	2,5	CCW
--HC--39ML-704--S	1/2»	-	186	230/3/50	1350/2	2,5	CCW
--HC--39ML-717--C	1/2»	-	186	230/3/50	1350	2,5	CCW
--HC--40GE-462--S	1/2	1	-	460/1/50	1100	1,5	CW
--HC--41AE-192--S	1/3	1	-	208-230/1/50	950	3,2	CCW
--HC--41AE-221--S	1/2	1	-	240/1/60	850	3,5	CCW
--HC--41VL-232--S	1/2»	-	248	230/3/50	900/2	2	CCW
--HC--42GL-208--S	1/2»	-	248	230/3/50	960	3	CCW
--HC--42ME-232--C	1/2»	-	248	230/3/50	900	2,5	CCW
--HC--42SE-232--C	1/2»	-	248	230/3/50	900	3	CW
--HC--43AE-232--S	1/2	4	NC	230/1/60	1100	3,8	CW
--HC--43TL-400--S	1/2»	-	373	400/3/50	1100	2,9	CCW
--HC--43VL-232--S	1/2	1	-	230/1/60	925	2,5	CCW
--HC--43VL-460--S	1/2	1	-	460/1/60	1075	2,7	CCW
--HC--44ME-701--C	1/2»	-	373	230/3/50	900	2	CCW
--HC--44VE-232--C	1/2»	-	373	230/3/50	875	2	CCW
--HC--44VL-702--S	1/2»	-	373	230/3/50	925	2,7	CW
--HC--45AE-195--S	1/2	2	NC	400/1/50	925	3,1	CCW
--HC--46VL-703--S	5/8»	-	560	230/3/50	925	3,9	CCW
--HC--52TE-231--C	5/8»	-	747	230/3/50	900	2,5	CCW
--HD--46VE-202--C	5/8»	-	560	230/3/50	950	3,25	REVERSIBLE
--HD--46VE-206--C	5/8»	-	560	400/3/50	950	3,25	REVERSIBLE
--HD--52AK-652--S	5/8	1	NC	430-460-575/3/60	1140	3,6	REVERSIBLE
--HD--52AK-653--S	5/8»	-	747	400/3/50	950	3,8	REVERSIBLE
--HF--27CA-033--S	3/8	-	26	120V /50-60HZ	-	-	-



FMV Motors

Ordering Reference	Capacity (W)	Voltage (V)	Weight (kg)	Low speed (RPM)	High speed (RPM)	Speed
--DK--12AB-024--EE	470	230/400	10	-	-	-
C025629H12	P1=0,94/0,64	400	17	670	900	2
C025664H01	P1=0,7/0,44	400	11	1050	1300	2
C025665H12	P1=2,6/1,6	400	25	1000	1310	2
C025665G01	P1=2,6/1,7	400	45	1000	1310	2

CARRIER Motors

Ordering Reference	Shaft diameter size (mm)	Speed	Weight (kg)	Capacity (W)	Voltage
D021708H01	12,7	5	2,906	10	230
D021709H01	12,7	5	2,906	20	230
D021710H01	12,7	5	4,238	53	230
D021563H02	12,7	3	4,1816	105	230
D021561H02	12,7	3	2,884	32	230
D021562H02	12,7	3	3,281	43	230
B036428H01	12,7	2	4,2	90	230
B035865H01	12,7	2	3,876	77	230
D021561H01	12,7	3	2,906	22	230
B032774H01	12,7	2	3,2285	42	230
B032776H01	12,7	2	3,9055	84	230
B033098H01	12,7	2	5,339	120	230

For other codes, please consult us

www.carrier-ercd.com

SISME

Motors

CW: Clockwise

CCW: anticlockwise

Ordering Reference	Voltage (V)	Speed (RPM)	Low speed (RPM)	High speed (RPM)	Rotation (facing air discharge)
0352015X39	220/240 - 50HZ/60HZ	800	500	1090	CW
0352015X69	220/240 - 60HZ	1100	950	1350	CCW
0352015X68	220/240 - 50HZ	1100	950	1350	CCW
0352015X43	220/240 - 50HZ/60HZ	-	-	920	-
0352015X58	220/240 - 50HZ/60HZ	620/720	500	900	CW
0352015X74	220/240 - 50HZ/60HZ	-	-	1400	-
0352015X59	220/240 - 50HZ/60HZ	750	500	920	CW
0352015X29	220/240 - 50HZ/60HZ	620/720	500	900	CCW
C024465H01	220/240 - 50HZ	710	660	760	CCW
C024465H02	220/240 - 50HZ	740	670	830	CCW

REGAL MANUFACTURING LIMITED

Motors

Ordering Reference	Shaft diameter size (mm)	Speed	Weight (kg)	Capacity (W)	Voltage	Speed (RPM)
00PPG000464500A	19	2	19	600	360-440	718-497
00PPG000464600A	19	2	21	1400	360-440	971-486
00PPG000464700A	19	1	18	2300	360-440	1137

For other codes, please consult us



CARRIER

FLYING BIRD fan propellers

CW : Clockwise

CCW : Anticlockwise

Ordering reference	Type	Bore (mm)	Total external diameter (mm)	Blades	Rotation (facing air discharge)
30GX-415---402--EE	FLYING BIRD 3	19	804,7	11	CCW
30GH-426---892--EE1	FLYING BIRD 1	19	803,6	15	CW
00PSG000000 101A	FLYING BIRD 4	23	798,6	9	CW

CARRIER

Fan propellers

CW: Clockwise

CCW: anticlockwise

Ordering Reference	Blades	Bore (mm)	Total external diameter (mm)	Rotation (facing air discharge)
--LA--01LA-024--C	3	12,7	609,6	CCW
--LA--01LA-035--C	3	12,7	657,3	CW
--LA--04AA-330--S	3	15,8	762	CW
--LA--04RA-301--C	3	15,8	762	CW
--LA--01AB-200--S	4	12,7	507	CCW
--LA--01AB-201--S	4	12,7	508	CW
--LA--01AA-023--S	4	12,7	508	CW
--LA--01AA-025--S	4	12,7	513	CW
--LA--01AD-028--S	4	15,8	660,4	CW
--LA--01AD-032--S	4	15,8	660,4	CW
--LA--01AD-039--S	4	12,7	558,8	CW
--LA--01EW-032--C	4	15,8	762	CW
--LA--04AA-299--C	4	15,8	762	CW
--LA--01AB-026--S	4	12,7	508	CCW
--LA--01EA-030--C	6	15,75	762	CW



FABRESSE

Fan propellers

CW: Clockwise

CCW: anticlockwise

Ordering Reference	Blades	Bore (mm)	Total external diameter (mm)	Rotation (facing air discharge)
--LA--12AA-006--EE	6	15,8	762	CW
--LA--12AA-007--EE	4	15,8	762	CW
--LA--12AA-008--EE	6	15,8	711	CW
--LA--12LA-002--EE	3	12,7	610	CW
--LA--12LA-003--EE	3	15,8	610	CW
--LA--12LA-016--EE	3	16	610	CW
--LA--01LA-030--C	3	15,8	762	CW
--LA--12AA-001--EE	3	15,8	660	CW
--LA--12AA-004--EE	3	12,7	610	CW



CARRIER

Caps

Ordering Reference	Total external diameter (mm)	Bore (inch)
30GH-522---152--EE	300	-
00PSG000000200A	309.4	-
---P-251--0058--S	89	1/2
---P-251--0051--S	160	1/2
---P-251--0056--S	190	1/2
---P-251--0059--S	89	5/8
---P-251--0057--S	190	5/8
---P-251--0052--S	185	5/8

For other codes, please consult us



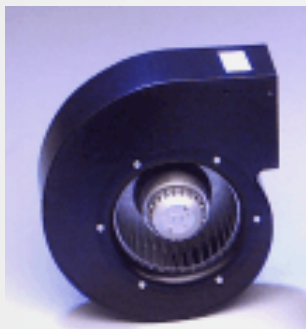
NICOTRA

Fan motors

Ordering Reference	Air Flow (m ³ /h)	Propeller diameter size (mm)	Weight (kg)	Absorption power - 50Hz (kW)	Motor power (W)	Supply voltage (V)	Working temperature (°C)
C024320H01	1120	146	10,9	190	64	230	-20 / +40
C024325H01	2500	198,6	20,4	637	405	230	-20 / +40
C024324H01	2100	198,6	20	600	295	230	-20 / +40
C024321H01	1430	185	14	261	72	230	-20 / +40
C024318H01	840	146	8	121	36	230	-20 / +40
C024322H01	1480	185	14	306	120	230	-20 / +40
C024323H01	2410	185	14	497	180	230	-20 / +40

For other codes, please consult us

www.carrier-ercd.com



ECOFIT

Fan motors

HS: High speed. AS: Average speed. LS: Low speed

Ordering Reference	Propeller diameter size (mm)	External sizes (mm)	Weight (kg)	Absorption power - 50Hz (kW)	Supply voltage (V)	Working temperature on 50Hz (°C)
42BJ514362M-	146X126	206X229X239	3,8	0,228	230	-20 / + 60
42BJ512012M-	160X160	197X226X264	5,7	0,254	230	-20 / + 60
42BJ573312M-	160X150	237X226X246	4,9	0,279	230	-20 / + 40
42BJ513442MB	160X160	192X226X262	6,15	HS: 0,258 AS :0,199 LS : 0,162	230	-20 / + 50
42GM500832M-	160X160	198X226X246	5,45	0,254	230	-20 / + 60
42BJ514382M-	200X180	229X326X391	9,35	0,165	230	-20 / + 60
42GR504002M-	225X63	123X326X372	5	0,131	230	-20 / + 70
42BJ513452MD	200X180	228X326X391	5,6	HS : 0,176 AS :0,154 LS : 0,145	230	-20 / + 50
42BJ513992MA	146X126	206X205X267	3,8	0,225	230	-20 / + 60

EBM

Fan motors

CW: Clockwise

CCW: anticlockwise

Ordering Reference	Air Flow (m ³ /h)	Propeller diameter size (mm)	Total external diameter (mm)	Weight (kg)	Absorption power - 50Hz (kW)	Supply voltage (V)	Rotation (Facing ari discharge)	Working temperature on 50Hz (°C)
42BJ450312MA	930	146	220	3,1	176	230	CCW	60 MAX
42EM504122MB	1255	160	241	5,5	150	230	CW	60 MAX
42GR505152M	395	160	226	3,2	170	230	CW	60 MAX
--DB--12DB-001--EE	340	130	172	1,1	45	230	CCW	50 MAX
42GR500134M	859	225	370	5	134	230	CW	55 MAX



E.M.I. Fan motors

Ordering Reference	Propeller diameter size (mm)	Weight (kg)	Absorption power - 50Hz (kW)	Motor power (W)	Supply voltage (V)	Working temperature on 50Hz (°C)
42EM500252M	1X160X240	6,2	121	48	230	32
42EM500262M	2X133X240	8,3	155	47	230	32
42EM503182M-	1X160X240	6,3	121	48	230	32
42EM503192M-	2X133X240	8,4	155	47	230	32
42EM500272M	2X160X240	11	300	116	230	32
42EM503202M-	2X160X240	11,4	300	116	230	32
42EL500022M	2X133X240	7,3	155	47	230	32
42EL500302M	1X133X240	6,4	125	35	230	32
42EL500522M	2X180X240	10,8	330	110	230	32
42EL500532M	2X180X240	10,8	330	140	230	32
42EL500032M	3X133X176	8,4	300	113	230	32

CARRIER

Fan motors

CW: Clockwise

CCW: anticlockwise

Ordering Reference	Total external diameter (mm)	Motor power (W)	Supply voltage (V)	Rotation (facing air discharge)	Speed
B034447H01	140	450	230	CW	4
B034456H01	120	115	230	CW	4
B034507H01	120	60	220-240	CW	-
D021562H01	95	27	230	CW	3
B034508H01	120	80	230	CW	4
B034510H01	140	290	230	CW	4
C025629G01	850	NC	400	NC	NC

WOODS

Fan assembly

This parts include motor, attachment, fan housing and fan propeller

CW : Clockwise

CCW : Anticlockwise

Ambient working temperature -20°C to +60°C

Ordering Reference	Air flow (m3/hour)	Propeller diameter size (mm)	Total external diameter (mm)	Weight (kg)	Absorption power (kW)	Motor power (W)	Rotation (facing air discharge)	Working temperature (°C)
--NB--12DC-002--E-	7000	560	654	27	0,68	900/120	CCW	-20°C / +60°C
--NB--12DC-003--E-	9000	560	654	36	1,05	1580 / 23	CCW	-20°C / +60°C
--NB--12DC-004--E-	14000	710	804	51	1,57	2730 / 340	CCW	-20°C / +60°C
--NB--12DC-005--E-	17000	710	804	51	2,44	2730 / 340	CCW	-20°C / +60°C
--NB--12DC-006--E-	21000	710	804	94	4,77	5540 / 720	CCW	-20°C / +60°C

SIEMENS

Fan assembly



This parts includes motor, attachment, fan housing and fan propeller

CW : Clockwise

CCW : Anticlockwise

Ambient working temperature -20°C to +60°C

Ordering Reference	Air flow (m3/hour)	Propeller diameter size (mm)	Total external diameter (mm)	Hight speed (RPM)	Low speed (RPM)	Weight (kg)	Absorption power (kW)	Motor power (W)	Rotation (facing air discharge)	Working temperature (°C)
--NB--12DD-001--E-	6984	560	695	1380	685	25	0,21/0,89	150/700	CW	-20°C / +70°C
--NB--12DD-002--E-	9000	560	695	1370	695	29	0,45 / 1,25	220 / 1000	CW	-20°C / +70°C
--NB--12DD-003--E-	14000	710	840	1415	720	42	0,56 / 1,9	500 / 2000	CW	-20°C / +70°C
--NB--12DD-004--E-	16992	710	840	1440	720	50	0,8 / 3,4	900 / 3600	CW	-20°C / +70°C
--NB--12DD-005--E-	21000	710	840	1420	720	67	0,9 / 5,5	1100 / 4700	CW	-20°C / +70°C



WILO IE2 Single hydraulic pumps

Ordering Reference	Type	Technical specification	Spacer	Weight (KG)	L1 max (mm)	In (400V) (A)	Ia (A)	Cos Phi	Power (kW)	Ia (A)	IA/IN	Cos Phi	Eta [%] 100%	Eta [%] 75%	Eta [%] 50%	Weight (KG)
30RA-506---572--EB	SHC12-125/0.75	CONNECTEUR HIRSCHMANN	NO	13,9	396	1,91	11,269	0,82	0,75	-	-	-	-	-	-	-
30RA-507---142--EB	SHC12-136/1.1	CONNECTEUR HIRSCHMANN	NO	15,3	396	2,8	19,32	0,83	1,1	-	-	-	-	-	-	-
30RA-507---152--EB	SHC12-136/1.1	CONNECTEUR HIRSCHMANN	NO	15,3	396	2,8	19,32	0,83	1,1	-	-	-	-	-	-	-
30RA-506---582--EB	SHC20-126/1.5	CONNECTEUR HIRSCHMANN	NO	19,5	434	3,7	25,9	0,83	1,5	-	-	-	-	-	-	-
30RA-506---602--EB	SHC20-134/1.85	CONNECTEUR HIRSCHMANN	NO	21,7	434	5,2	34,32	0,83	2,2	-	-	-	-	-	-	-
30RW-500---012--EB	SHC20-134/1.85	CONNECTEUR HIRSCHMANN	NO	21,7	434	5,2	34,32	0,83	2,2	-	-	-	-	-	-	-
30RW-505---432--EF	LRL205-15/4	CONNECTEUR HIRSCHMANN + PTO	YES, M10*19 (2053837)	46,5	421,5	7,7	73,15	0,87	4	-	-	-	-	-	-	-
30RA-511---552--EF	LRL206-15/5.5	CONNECTEUR HIRSCHMANN + PTO	NO	78	531	10,7	95,23	0,85	5,5	-	-	-	-	-	-	-
00PPG000031100D	IPL65/120(111,5)-2,2/2	2,2	1	90	STD	IPL65/120-2,2/2	YES	381,5	4,4	36,52	8,3	0,89	83,4	82,9	80,5	37
00PPG000031200D	IPL65/130(122)-3/2	3	2	100	STD	IPL65/130-3/2	YES	394	5,8	36,52	9,6	0,88	84,8	84,5	83,1	43
00PPG000004000D	IPL65/140-4/2	4	3	112	STD	IPL65/140-4/2	YES	427,5	7,7	73,15	9,5	0,87	86,1	85,7	84,3	49
00PPG000031300D	IPL80/140(132)-4/2	4	3	112	STD	IPL80/140-4/2	YES	433,5	7,7	73,15	9,5	0,87	86,1	85,7	84,3	52,5
00PPG000031500D	IPL50/155-4/2	4	4	112	STD	IPL50/155-4/2	YES	463	7,7	73,15	9,5	0,87	86,1	85,7	84,3	63,2
00PPG000031400D	IPL80/145-5,5/2	5,5	5	132	STD	IPL80/145-5,5/2	YES	528	10,2	91,8	9	0,87	88,6	86,9	85,2	81,1
00PPG000031600D	IPL65/165-5,5/2	5,5	6	132	STD	IPL65/165-5,5/2	YES	531	10,2	91,8	9	0,87	88,6	86,9	85,2	78,2
00PPG000031700D	IPL65/175(148)-7,5/2	7,5	7	132	STD	IPL65/175-7,5/2	YES	531	13,7	123,3	9	0,9	88,5	87,7	85,9	84,5
00PPG000031800D	IL65/170(163)-11/2	11	8	160	STD	IL65/170-11/2	YES	788	20,5	164	8	0,9	90,5	89,3	87,5	150



WILO

Single hydraulic pumps

Winding class F. IP54 protection. Tropicalization: HR90%.
Wired by DIN plugs

Ordering Reference	Type	Weight (kg)	Voltage (V)	Speed (RPM)	Nominal diameter	Engine protection type
30RA-500---612--EE	LRL 204-12 1,5	34,5	400/3/50	2900	-	-
30RW-500---032--EE	SIL 205-14/4	75	400/3/50	2900	50	IPSOTHERME
30RY-500---002--EE	HYDROSON HY 403-T	9,4	400/3/50	2900	-	-
00PSG000637000A	LRN 208-13/5,5	85	400/3/50	2900	80	IPSOTHERME
--DM--12CA-002--EE	LRL203 - 10 / 0,55	27,5	230 - 400	1450-2900	32	-
--DM--12CA-003--EE	LRL205 - 11 / 0,75	31	230 - 400	1450-2900	50	-
--DM--12CA-004--EE	LRL206 - 12 / 1,5	40,5	230 - 400	1450-2900	65	-



GRUNDFOS

Single hydraulic pumps

Ordering Reference	Type	Weight (Kg)	Voltage (V)	Speed (RPM)	Nominal diameter (mm)	Motor protection type	Nominal pressure (bar)	Water flow rate (L/H)
00PPG000457600B	IN-LINE CIRCULATOR PUMP	24	400-50 HZ	2750	40	THERMAL SWITCH, MUST BE EXTERNALLY PROTECTED	0,9	14000
00PPG000457700A	HORIZONTAL, SINGLE STAGE, COMPOSITE PUMP	12,3	400-50 HZ	2838	25	THERMAL SWITCH, MUST BE EXTERNALLY PROTECTED	1,18	14000
00PPG000457900B	HORIZONTAL, SINGLE STAGE, COMPOSITE PUMP	14,8	400-50 HZ	2892	25	THERMAL SWITCH, MUST BE EXTERNALLY PROTECTED	1,35	18000
00PPG000457800B	HORIZONTAL, SINGLE STAGE, COMPOSITE PUMP	22	400-50 HZ	2863	25	THERMAL SWITCH, MUST BE EXTERNALLY PROTECTED	2,02	28000
00PPG000457800A	HORIZONTAL, SINGLE STAGE, COMPOSITE PUMP	17	400-50 HZ	2865	25	THERMAL SWITCH, MUST BE EXTERNALLY PROTECTED	1,75	22000



ITT

Single hydraulic pumps

Ordering Reference	Weight (kg)	Voltage (V)	Speed (RPM)	Motor protection type	Nominal diameter (inch)	Nominal pressure (bar)	Isolation class
C024526H01	13	230/400	2850	IP55	1-1/4 ; 1	1,45	F
C024525H01	11,5	230/400	2850	IP55	1-1/4 ; 1	2,32	F



WILO IE2 Double hydraulic pumps

Ordering Reference	Type	Technical specification	Spacer	Weight (Kg)	L1 max (mm)	In (400V) (A)	Ia (A)	Cos Phi	Power (kW)	Ia (A)	IA/IN	Cos Phi	Eta [%] 100%	Eta [%] 75%	Eta [%] 50%	Weight (Kg)
30RW-500---052-EF	DIL206-15/5.5	CONNECTEUR HIRSCHMANN + PTO	NO	197	614	10,2	91,8	0,9	5,5	-	-	-	-	-	-	-
30RW-505---442-EF	JRL204-13/2.2	CONNECTEUR HIRSCHMANN + PTO	YES, M10*25 (2053838)	62,5	373	4,13	31,4	0,92	2,2	-	-	-	-	-	-	-
30RW-505---452-EF	JRL205-15/4	CONNECTEUR HIRSCHMANN + PTO	YES, M10*25 (2053838)	88,3	421,5	7,7	73,15	0,9	4	-	-	-	-	-	-	-
30RA-509---372-EB	JRL205-14/3	CONNECTEUR HIRSCHMANN + PTO	NO	76,3	388	5,8	55,68	0,88	3	-	-	-	-	-	-	-
30RA-511---562-EF	JRL206-15/5.5	CONNECTEUR HIRSCHMANN + PTO	NO	154	520,8	10,7	95,23	0,85	5,5	-	-	-	-	-	-	-
00PPG000005100D	DPL65/120(111,5)-2,2/2	2,2	1	90	STD	DPL65/120-2,2/2	YES	3581,5	4,4	36,52	8,3	0,89	83,4	82,9	80,5	71,8
00PPG000032000D	DPL65/120(111,5)-2,2/2	2,2	1	90	DIFFERENT	DPL65/120-2,2/2	YES	381,5	4,4	36,52	8,3	0,89	83,4	82,9	80,5	71,8
00PPG000005200D	DPL65/130(122)-3/2	3	2	100	STD	DPL65/130-3/2	YES	394	5,8	55,68	9,6	0,88	84,8	84,5	83,1	83,8
00PPG000032100D	DPL65/130(122)-3/2	3	2	100	DIFFERENT	DPL65/130-3/2	YES	394	5,8	55,68	9,6	0,88	84,8	84,5	83,1	83,8
00PPG000005300D	DPL65/140-4/2	4	3	112	STD	DPL65/140-4/2	YES	427,5	7,7	73,15	9,5	0,87	86,1	85,7	84,3	95,5
00PPG000032200D	DPL80/140(132)-4/2	4	3	112	DIFFERENT	DPL80/140-4/2	YES	433,5	7,7	73,15	9,5	0,87	86,1	85,7	84,3	99
00PPG000005600D	DPL50/155-4/2	4	4	112	STD	DPL50/155-4/2	YES	463	7,7	73,15	9,5	0,87	86,1	85,7	84,3	107,4
00PPG000032400D	DPL50/155-4/2	4	4	112	DIFFERENT	DPL50/155-4/2	YES	463	7,7	69,3	9,5	0,87	86,1	85,7	84,3	107,4
00PPG000032300D	DPL80/145-5,5/2	5,5	5	132	STD	DPL80/145-5,5/2	YES	547,5	10,2	91,8	9	0,87	88,6	86,9	85,2	159,8
00PPG000032500D	DPL65/165-5,5/2	5,5	6	132	DIFFERENT	DPL65/165-5,5/2	YES	520,8	10,2	91,8	9	0,87	88,6	86,9	85,2	164,8
00PPG000005800D	DPL65/165-5,5/2	5,5	6	132	STD	DPL65/165-5,5/2	YES	520,8	10,2	91,8	9	0,87	88,6	86,9	85,2	164,8
00PPG000032600D	DPL65/175(148)-7,5/2	7,5	7	132	STD	DPL65/175-7,5/2	YES	520,8	13,7	123,3	9	0,9	88,5	87,7	85,9	177,4
00PPG000032700D	DL65/170(163)-11/2	11	8	160	STD	DL65/170-11/2	YES	778	20,5	164	8	0,9	90,5	89,3	87,5	304



WILO

Double hydraulic pumps

Winding class F. IP54 protection. Tropicalization: HR90%

Wired by DIN plugs

For mechanic seals motors package and others parts, upon request

Ordering Reference	Type	Weight (kg)	Voltage (V)	Speed (RPM)	Nominal diameter	Engine protection type	Nominal pressure (bar)
30RA-500---652--EE	JRL 204-12 1,5	65	400/3/50	2900			10
30RA-506---712--EE	JRL 204-13	72	400/3/50	2900			10
30RW-500---052--EE	DIL 206-15/5,5	188	400/3/50	2900	65	IPSOTHERME	16
--DM--12CA-005--EE	JRL203 - 10 / 0,55	52	230 - 400	1450-2900	32		10
--DM--12CA-006--EE	JRL205 - 11 / 0,75	58	230 - 400	1450-2900	50		10
--DM--12CA-007--EE	JRL206 - 12 / 1,5	74	230 - 400	1450-2900	65		10



VICTAULIC

Hydraulic collars

ST75 Collars. Coating galvanized/painted. Bolting Geomet/
Electrogalvanized
Standard EPDM gasket for water or FS-V (Neopren) Flusheal for
use on application
For dimensional drawing please contact us

Ordering Reference	Connection size (inch)	Total external diameter (mm)	Weight (Kg)	Maximum working pressure (bar)
00PPG000469501A	10	273	14,1	55
--BA--12LA-001--EE	1(1/2)	48,3	0,6	34,5
--BA--12LA-002--EE	2	60,3	0,8	34,5
--BA--12LA-003--EE	1(1/4)	42,2	0,6	34,5
--BA--12LA-004--EE	3	76,1	0,9	34,5
--BA--12LA-005--EE	3	88,9	1,6	34,5
--BA--12LA-006--EE	4	114,3	1,9	34,5
--BA--12LA-007--EE	5	141,3	2,6	31
--BA--12LA-008--EE	6	168,3	3,2	31
--BA--12LA-009--EE	8	219,1	5,6	31

VICTAULIC

Victaulic Kit
For Cooler or Condenser

For dimensional drawing please contact us

Hydraulic

Ordering Reference	Description	Connection size (inch)	Weight (Kg)
00PSG000119601A	VICTAULIC CONNECTING SLEEVE TO BE WELDED	4"	150
00PSG000119602A	VICTAULIC CONNECTING SLEEVE TO BE WELDED	5"	150
00PSG000119603A	VICTAULIC CONNECTING SLEEVE TO BE WELDED	6"	150
00PSG000119604A	VICTAULIC CONNECTING SLEEVE TO BE WELDED	3"	150
00PSG000596300A	VICTAULIC CONNECTING SLEEVE TO BE WELDED	6" + 8"	150
00PSG001271800A	VICTAULIC CONNECTION SLEEVE	2"-1/2	150
00PSG001278900A	COOLER OR CONDENSER VICTAULIC TO FLANGE WATER CONNECTIONS	10"	150
00PSG001279000A	VICTAULIC CONNECTING SLEEVE TO BE WELDED	10"	150
30HX-900---032--E-	COOLER OR CONDENSER VICTAULIC TO FLANGE WATER CONNECTIONS	4"	150
30HX-900---042--E-	COOLER OR CONDENSER VICTAULIC TO FLANGE WATER CONNECTIONS	5"	150
30HX-900---052--E-	COOLER OR CONDENSER VICTAULIC TO FLANGE WATER CONNECTIONS	6"	150
30HX-900---062--E-	COOLER OR CONDENSER VICTAULIC TO FLANGE WATER CONNECTIONS	8"	150
30HX-900---102--E-	VICTAULIC CONNECTING SLEEVE TO BE WELDED	8"	150
VICT150-1-1/2-SCR	VICTAULIC TO SCREWED CONNECTIONS	1"-1/2	150
VICT150-1-1/2-WEL	VICTAULIC CONNECTING SLEEVE TO BE WELDED	2"	150
VICT150-2-----SCR	VICTAULIC TO SCREWED CONNECTIONS	2"	150
VICT150-2-----WEL	VICTAULIC CONNECTING SLEEVE TO BE WELDED	2"	150
VICT300-1-1/2-SCR	VICTAULIC TO SCREWED CONNECTIONS	1"-1/2	300
VICT300-1-1/2-WEL	VICTAULIC CONNECTING SLEEVE TO BE WELDED	1"-1/2	300
VICT300-1-1/4-SCR	VICTAULIC TO SCREWED CONNECTIONS	1"-1/4	300
VICT300-2-----SCR	VICTAULIC TO SCREWED CONNECTIONS	2"	300
VICT300-2-----WEL	VICTAULIC CONNECTING SLEEVE TO BE WELDED	2"	300



CARRIER

Flow switch

Ordering Reference	Piping diameter size (inch)	Connection size (inch)	Adjustment margin with increasing flow (liters/hour)	Adjustment margin with decreasing flow (L/H)	Nominal pressure (bar)	Maximum working temperature (°C)	Opening point
00PPG000471400A	1-1/4 - 1-1/2		650-800 / 850-1200	600-900 / 850-1200	10	100	220V/1A - 26VA
--CY--12WA-001-EE	1-1/4	3/4 FEMALE LEFT	990-1280	950-1220	25	110	220V/1A - 26VA
--CY--12WA-003-E-	1-1/2	3/4 FEMALE LEFT	1590-2070	1530-1950	25	110	220V/1A - 26VA
--CY--12WA-005-EE	2-1/2	3/4 FEMALE LEFT	3500-4900	3300-4500	25	110	220V/1A - 26VA
--CY--12WA-007-EE	FROM 2 TO 3	3/4 FEMALE LEFT	1800-2500 / 3600-3450 / 3400-4500	1750-2400 / 2400-3100 / 3150-4050	10	100	220V/1A - 26VA
0170701H15	DN20	3/4 FEMALE LEFT	-	180	10	100	220V/1A - 26VA
0170701H14	DN20	3/4 FEMALE LEFT	-	420	10	100	220V/1A - 26VA
0170701H13	DN32	3/4 FEMALE LEFT	-	910	10	100	220V/1A - 26VA
--HR--12AA-002-EE		1 NPT MALE	-	-	10	120	230V
00PPG000472900A		1/4 NPT MALE	-	-	30	80	24V
00PPG000030500A		1/2 NPT	-	-	25	60	24V



ISOCEL

Taps

Ordering Reference	Gaz thread	Maximum working pressure (bar)	Working temperature (°C)
--XL--12HA-015--EE	1/4 M - 1/4 F	10	-10/ +60
--XL--12HA-016--EE	1/4 F - 1/4 F	10	-10/ +60



CARRIER

Hydraulic valves

Ordering Reference	Inlet/Outlet diameter (inch)	Release pressure (bar)
00PPG000486900A	1/2 MALE GAZ/ 3/4 FEMELLE GAZ	3
0150106H01	1/2» M	3
--UM--12LA-020--EE	3/4 F	4



ISOCEL
Brass tap valves

Ordering Reference	Connection size (inch)	Maximum working pressure (bar)	Working temperature (°C)	Threading type
--XL--12GE-001--EE	2 FEMALE	10	- 10 / + 100	GAZ
--XL--12GE-003--EE	2-1/2	10	- 10 / + 100	-
--XL--12GE-004--EE	3	10	- 10 / + 100	-

HYDRAULIC / EXPANSION TANK



ISOCEL
Expansion tank

Connection 3/4 inch male, fixation collar not shipped with

Ordering Reference	Capacity (L)	Total external diameter (mm)	Total high (mm)
--XW--12PA-004--EE	12	252	334
--XW--12PA-001--EE	8	202	338
--XW--12PA-002--EE	18	302	350
--XW--12PA-003--EE	25	302	448
--XW--12PA-005--EE	35	404	392
--XW--12PA-006--EE	50	404	510



CARRIER

Water filters (integrated strainer)

Ordering Reference	Type	Connection size (inch)	Thread	Maximum working pressure (bar)
--XH--12AB-012--EE	Y-INOX	2	GAZ	16
--XH--12AB-013--EE	Y-INOX	2-1/2	GAZ	16
--XH--12AB-014--E-	Y-INOX	2	GAZ	16
--XH--12AB-015--E-	Y-INOX	1-1/4	GAZ	16
30RA-411---312--EE	STRAIGHT INOX	2-1/2	-	-
30RA-411---382--EF	STRAIGHT INOX	2	-	-



ISOCEL

Stainless steel hydraulic flexibles

Gasket code are:

-UX-12BB-006-EE: external diameter 18mm

-UX-12BB-008-EE: external diameter 24mm

Ordering Reference	Connection size (inch)	Internal diameter (mm)	Lenght (mm)	Maximum working pressure (bar)	Maximum working temperature (°C)
--CF--12GY-120--EE	3/4 F/F	10	1200	15	+100°C
--CF--12GY-100--EE	3/4 F/F	12	1000	20	+100°C
--CF--12GY-050--EE	3/4 F/F	12	500	20	+100°C
--CF--12GY-030--EE	3/4 F/F	12	300	20	+100°C
00PPG000486400A	1/2 F/F	10	800	10	+100°C
00PPG000007401A	1/2 F/M	10	1300	15	+100°C
00PPG000007301A	1/2 F/M	10	800	15	+100°C
00PPG000003303A	F-3/4 M-1/2	10	1300	15	+100°C
00PPG000003302A	F-3/4 M-1/2	10	2000	15	+100°C
00PPG000003301A	F-3/4 M-1/2	10	900	15	+100°C



IFT Flexibles

Ordering Reference	Connection size (inch)	Internal diameter (mm)	Lenght (mm)	Maximum working pressure (bar)
CF12GT065EE	F 1/2" - F 1/2"	12	650	16
CF12GV065EE	F1/2" - F 1/2"	12	650	16
CF12GU100EE	F1/2" - M 1/2"	12	1000	16
CF12GS100EE	F1/2" - M1/2"	12	1000	16
CF12GV095EE	F1/2" - F 1/2"	12	950	16

For other codes, please consult us



SWEP Plate exchangers

Ordering Reference	Number of plates	Heat exchanger thickness (mm)	Weight (kg)	Refrigerant side volume (L)	Water side volume (L)	Max refrigerant side operating pressure (bar)	Max water side operating pressure (bar)	Min/Max refrigerant side temperature (°C)	Min/Max water side temperature (°C)
00PPG000458001A	88	201,1	17,06	4,773	4,884	32	32	-196/145	-30/145
00PPG000458002A	116	263,8	21,82	6,327	6,438	32	32	-196/145	-30/145
00PPG000458201A	68	165,7	37,7	7,95	8,19	32	32	-196/145	-30/145
00PPG000458202A	80	193,2	42,6	9,4	9,64	32	32	-196/145	-30/145
00PPG000458203A	100	239	50,7	11,81	12,05	32	32	-196/145	-30/145
00PPG000458204A	136	321,4	65,2	16,15	16,39	32	32	-196/145	-30/145
00PPG000458206A	202	472,6	91,9	24,1	24,34	32	32	-196/145	-30/145
00PPG000460801A	14	35,7	1,88	0,252	0,294	31	31	-196/155	-196/155
00PPG000460802A	20	49,1	2,3	0,378	0,42	31	31	-196/155	-196/155
00PPG000461001A	20	48,8	4,13	0,738	0,82	31	31	-196/155	-196/155
00PPG000461002A	30	71,2	5,33	1,148	1,23	31	31	-196/155	-196/155
00PPG000461003A	40	93,6	6,53	1,558	1,64	31	31	-196/155	-196/155
00PPG000463401A	46	115	14,8	2,44	2,55	45	31	-196/155	-30/90
00PPG000463402A	54	133	16,4	2,89	3	45	31	-196/155	-30/90
00PPG000463403A	60	146,4	17,5	3,22	3,33	45	31	-196/155	-30/90
00PPG000463404A	72	173,3	19,8	3,89	4	45	31	-196/155	-30/90
00PPG000463405A	86	204,6	22,6	4,66	4,77	45	31	-196/155	-30/90
00PPG000463406A	100	236	25,3	5,44	5,55	45	31	-196/155	-30/90
00PPG000464201A	106	252,7	53,5	12,32	12,4	45	28	-196/135	-30/90
00PPG000464202A	126	298,5	61,9	14,69	14,74	45	28	-196/135	-30/90
00PPG000465701A	72	174,9	40,8	8,44	8,676	45	45	-196/135	-30/90
00PPG000471901A	46	115	14,8	2,44	2,55	45	31	-196/135	-30/90
00PPG000471902A	54	133	16,4	2,89	3	45	31	-196/135	-30/90
00PPG000471903A	60	146,4	17,5	3,22	3,33	45	31	-196/135	-30/90
00PPG000471904A	72	173,3	19,8	3,89	4	45	31	-196/135	-30/90
00PPG000471905A	86	204,6	22,6	4,66	4,77	45	31	-196/135	-30/90
00PPG000471906A	100	236	25,3	5,44	5,55	45	31	-196/135	-30/90
00PPG000480501A	72	174,9	40,8	8,44	8,676	45	45	-196/135	-30/90
00PPG000480502A	82	197,8	45,1	9,64	9,981	45	45	-196/135	-30/90
00PPG000480503A	94	225,3	50,1	11,09	11,327	45	45	-196/135	-30/90

For other codes, please consult us

www.carrier-ercd.com



SWEP Plate exchangers

Ordering Reference	Number of plates	Heat exchanger thickness (mm)	Weight (kg)	Refrigerant side volume (L)	Water side volume (L)	Max refrigerant side operating pressure (bar)	Max water side operating pressure (bar)	Min/Max refrigerant side temperature (°C)	Min/Max water side temperature (°C)
--EU--12CA-040--EE	40	93,6	9,25	2,11	2,22	31	31	-196/155	-196/155
--EU--12CC-020--EE	20	55,8	19	2,2	2,4	31	31	-196/155	-196/155
--EU--12CC-040--EE	40	101,6	27,23	4,6	4,8	31	31	-196/155	-196/155
--EU--12CC-050--EE	50	124,5	31,5	5,8	6	31	31	-196/155	-196/155
--EU--12CC-080--EE	80	193,2	44,2	9,4	9,64	31	31	-196/155	-196/155
--EU--12CD-050--EE	50	125	24	4,3	4,5	31	31	-196/155	-196/155
--EU--12CD-060--EE	60	148,4	27,4	5,2	5,4	31	31	-196/155	-196/155
--EU--12CF-034--EE	34	88	24	3,9	4,1	31	31	-196/155	-196/155
--EU--12CF-050--EE	50	124,5	30,5	5,8	6	31	31	-196/155	-196/155
--EU--12CJ-040--EE	40	101,6	20,6	3,4	3,6	31	31	-196/155	-196/155
--EU--12CO-026--EE	26	62,2	6,6	1,33	1,44	31	28	-196/155	-196/155
--EU--12CO-040--EE	40	93,6	8,94	2,11	2,22	31	28	-196/155	-196/155
--EU--12CO-050--EE	50	116	10,58	2,67	2,78	31	28	-196/155	-196/155
--EU--12CO-060--EE	60	138,4	12,22	3,22	3,33	31	28	-196/155	-196/155
--EU--12CP-026--EE	26	62,2	7,42	1,33	1,44	31	28	-196/155	-196/155
--EU--12CP-030--EE	30	71,2	8,2	1,56	1,67	31	28	-196/155	-196/155
--EU--12CP-036--EE	36	84,6	9,36	1,89	2	31	28	-196/155	-196/155
--EU--12CP-050--EE	50	116	12,08	2,67	2,78	31	28	-196/155	-196/155
--EU--12CP-060--EE	60	138,4	14,02	3,22	3,33	31	28	-196/155	-196/155
--EU--12CR-060--EE	60	147,4	35,71	7	7,23	31	31	-196/155	-196/155
--EU--12CR-070--EE	70	170,3	39,95	8,2	8,4	31	31	-196/155	-196/155
--EU--12CR-090--EE	90	216,1	48,43	10,6	10,85	31	31	-196/155	-196/155
--EU--12CT-050--EE	50	124,5	30,47	5,8	6,02	31	31	-196/155	-196/155
--EU--12CT-060--EE	60	147,4	34,51	7	7,23	31	31	-196/155	-196/155
--EU--12CW-126--EE	126	323,4	107,7	26	26,4	32	10	-30/140	-30/60
--EU--12CW-222--EE	222	558	173	46,2	46,8	32	10	-30/140	-30/60
--EU--12CX-166--EE	166	408,7	122,15	33,3	34,94	32	10	-30/140	-30/60
--EU--12CX-222--EE	222	542,6	158,55	44,66	43,76	32	10	-30/140	-30/60
--LL--01SB-040--EE	34	80,2	7,96	1,78	1,89	31	28	-196/155	-196/155
--LL--01SB-048--EE	66	151,8	15,18	3,55	3,66	31	28	-196/155	-196/155
--LL--01SB-052--EE	84	192,2	18,68	4,55	4,66	31	28	-196/155	-196/155
--LL--01SB-054--EE	100	228	21,78	5,44	5,55	31	28	-196/155	-196/155

For other codes, please consult us



ALPHA LAVAL Plate exchangers

Ordering Reference	Number of plates	Heat exchanger thickness (mm)	Weight (kg)	Refrigerant side volume (L)	Water side volume (L)	Max refrigerant side operating pressure (bar)	Max water side operating pressure (bar)	Min/Max refrigerant side temperature (°C)	Min/Max water side temperature (°C)
00PPG000445501A	16	61	17	1,75	2	45	10	160/130	-30/90
00PPG000445502A	30	100	23	3,5	3,8	45	10	160/130	-30/90
00PPG000445503A	44	139	29	5,25	5,5	45	10	160/130	-30/90
00PPG000445504A	60	185	36	7,25	7,5	45	10	160/130	-30/90
00PPG000466503A	162	359,68	70,5	16	12,64	45	31	196/150	-30/90
00PPG000466504A	210	462,4	90,9	20,8	16,38	45	31	196/150	-30/90
0460106H02	14	85	4,7	/	0,665	32	32	-196/+150	-196/+150
0460106H12	48	130	5,4	/	0,672	50	50	-196/+90	-196/+90
0460106H18	72	166	7,5	/	1,008	50	50	-196/+90	-196/+90
0460106H19	48	126	5,2	/	0,672	50	50	-196/+90	-196/+90
0460106H20	72	162	7,3	/	1,008	50	50	-196/+90	-196/+90
0460106H25	72	45	1,8	/	1,008	50	50	-196/+90	-196/+90
0460106H26	10	48	2	/	0,14	50	50	-196/+90	-196/+90
0460106H27	60	191	13	/	2,85	45	45	-196/+150	-196/+150
0460106H28	68	230	14,8	/	3,23	45	45	-196/+150	-196/+150
B034016H03	46	49	11	/	2,185	30	20	-196/+120	-196/+120
B034016H04	60	191	13,1	/	2,85	32	32	-196/+150	-196/+150
B035447H01	38	52	10,6	/	1,805	48	48	-196/+100	-196/+100
B036087H01	30	122	7,6	/	1,425	45	45	-196/+150	-196/+150
B036087H02	26	113	6,9	/	1,235	32	32	-196/+150	-196/+150
B036087H07	20	100	6,6	/	0,95	32	32	-196/+150	-196/+150
B036087H09	18	94	5,4	/	0,855	32	32	-196/+150	-196/+150



ALPHA LAVAL Plate exchangers

Ordering Reference	Number of plates	Heat exchanger thickness (mm)	Weight (kg)	Refrigerant side volume (L)	Water side volume (L)	Max refrigerant side operating pressure (bar)	Max water side operating pressure (bar)	Min/Max refrigerant side temperature (°C)	Min/Max water side temperature (°C)
B036087H10	38	140	9	-	1,805	45	45	-196/+150	-196/+150
CB60-60HF	60	-	-	-	3,09	40	40	-196/+90	-196/+90
--EU--12CM-110--E-	110	323	106	24,3	23,1	32	10	-50/150	-50/90
--EU--12CN-036--EE	36	95,6	23,4	3,6	3,8	32	10	-30/130	-30/60
--EU--12CN-046--EE	46	119,1	27,8	4,6	4,8	32	10	-30/130	-30/60
--EU--12CN-058--EE	58	147,3	33,1	5,9	6,1	32	10	-30/130	-30/60
--EU--12CN-092--EE	92	227,2	48,1	9,5	9,7	32	10	-30/130	-30/60
--EU--12CN-116--EE	116	283,6	58,6	11,97	12,2	32	10	-30/130	-30/60
--EU--12CN-170--EE	170	494	82	17,64	17,9	32	10	-30/130	-30/60
--EU--12CN-582--EE	82	277	40	-	8,61	32	32	-196/+150	-196/+150
--EU--12CN-584--EE	84	-	-	-	8,82	32	32	-196/+150	-196/+150
--EU--12CN-594--EE	94	305	45,3	-	9,87	32	32	-196/+150	-196/+150
--EU--12CN-610--EE	110	353	55,2	-	11,55	32	32	-196/+150	-196/+150
--EU--12CN-616--EE	116	357	56,2	-	12,18	32	32	-196/+150	-196/+150
--EU--12CN-628--EE	128	385	60,5	-	13,44	32	32	-196/+150	-196/+150
--EU--12CN-648--EE	148	442	72,1	-	15,54	32	32	-196/+150	-196/+150
--EU--12CU-034--EE	34	96,1	9,7	1,5	1,6	32	10	-30/130	-30/60
--EU--12CU-042--EE	42	110,8	11,5	1,9	2	32	10	-30/130	-30/60
--EU--12CU-048--EE	48	125,2	12,9	2,2	2,3	32	10	-30/130	-30/60
--EU--12CU-062--EE	62	158,8	16,1	2,8	2,3	32	10	-30/130	-30/60
--EU--12CU-162--EE	62	158,8	16,1	2,8	2,9	32	10	-30/130	-30/60
--EU--12CV-090--EE	90	209±3	42,6	7,04	7,20	32	10	-30/130	-30/60
--EU--12CV-102--EE	102	235±3	47,2	8,00	8,16	32	10	-30/130	-30/60

For other codes, please consult us



ASPEN SALINA

Peristaltic pumps for condensate removal

Ordering Reference	Pump rating	Water flow rate (L/H)	Size (mm)	Conduit size L x l x mm	Discharge head max	Sound level dB(A)	Weight (kg)
157AS00001	MONO 230/240	6,25	115 X 135 X 77	-	12 M	30	1,4
157AS00002	MONO 230/240	6,25	115 X 135 X 77	-	12M	30	1,4

HYDRAULIC / TANK PUMPS



ASPEN SALINA

Tank pumps to collect condensate water from refrigeration and air conditioning units

Ordering Reference	Pump rating	Water flow rate (L/H)	Size (mm)	Conduit size L x l x mm	Discharge head max	Sound level dB(A)	Weight (kg)
157AS00008	MONO 230/240	288	140 X 235 X 140	-	4.6 M	60	1,7
157AS00009	MONO 230/240	288	170 X 235 X 140	-	4.6 M	60	1,75



ASPEN SALINA

Easy and quick installation

Easy access and pipe management

Ordering Reference	Pump rating	Water flow rate (L/H)	Size (mm)	Discharge head max	Sound level dB(A)	Weight (kg)
157AS00005	MONO 230/240	14	51 X 107 X 39	8 M	23	0,67
157AS000207	MONO 230/240	14	79 X 93 X 44	8 M	23	1,7
157AS00031	MONO 230/240	14	79 X 93 X 44	8 M	23	1,7
157AS00054	MONO 230/240	14	79 X 93 X 44	8 M	23	0,6
157AS00157	MONO 230/240	26	66 X 122 X 44	20 M	35	0,9
157AS00177	MONO 230/240	22,5	115 X 99 X 44	15 M	35	1,8
157AS00207	MONO 230/240	12	115 X 182 X 55	10 M	21	0,7



CARRIER

Oil pumps assembled in 30GX and 30HX units

Ordering Reference	Connection size (inch)	Total high (mm)	Lenght (mm)	Application
--KK--82TA-002--C	3/8 NPT	184	295	R134A
30GX-430---772--EE	1/8 NPT	-	97,5 / 113,5	R134A
30GX-430---782--EE	1/8 NPT	-	97,5 / 113,5	R134A
30HX-410---332--EE	SERTO M24X1,5	-	116,5	R134A

OIL LINE AND PARTS / OIL FILTERS



CARRIER

Oil filters assembled in 30GX/30HX and 30XA units

Ordering Reference	Connection size (inch)	Lenght (mm)	Maximum working pressure (bar)	Application	Working pressure (bar)
30GX-660---004--S	3/4 (16) FEMALE	170	37,5	R22 - R134A (30GX/HX)	-
30GX-417---132--EE	1-1/4	256	-	R134A (30GX/HX)	30
00PPG000012800A	1 SAE (14)	316	-	R22-R134A-R407C-R410A (30XA)	32



CARRIER

Oil level switch assembled in 30GX/30HX and 30XA units

Oil line and parts

Ordering Reference	Description	Connection size (inch)	Application
--HR--12BA-012--EE	OIL LEVEL SWITCH TO SCREW ON OIL SEPARATOR	1/2 NPT	30GX/HX
--HR--12BA-011--E-	FLOAT OIL LEVEL SWITCH INSTALLED OUTSIDE OIL SEPARATOR		30GX/HX
00PPG000011400A	OIL LEVEL SWITCH TO SCREW ON OIL SEPARATOR	5/16	30XA

OIL LINE AND PARTS / OIL LINE



CARRIER

Complete oil line

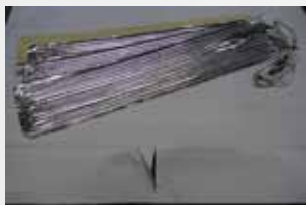
Ordering Reference	Description
30HR-404---113EE1	OIL LINE EGALISTOR FOR 2 COMPRESSORS 06E
30HR-404---203--EE1	OIL LINE EGALISTOR FOR 3 COMPRESSORS 06E

For other codes, please consult us

CARRIER

Heating cables

Ordering Reference	Lenght (m)	Capacity (Watt)	Voltage (V)
--WM--12GA-001--EE	18	420	230
--WM--12GC-001--EE	5,5	220	230
--WM--12GF-002--EE	13	150	230
--WM--12GD-001--EE	7	280	230
--HT--38AZ-120--S	9,2	210	120
30GX-525---832EE-A	17,5	700	400
30GX-525---842--EE	25	1000	400
30GX-584---132--EE	10,4	83	460
30GX-584---142--EE	12,4	100	460



CARRIER

Auto-adhesive heating plate

Ordering reference	Length (m)	Capacity (Watt)	Voltage (V)
--WM--12GB-003--EE	2 X 9	210	230
00PSG000511900A	0,66	6 X 250	400
00PSG000057400	0,790 + 0,790	400	400
00PSG000057500	0,5	650	400
30GK-401---392--EE	5,5	220	400
30GK-401---402--EE	7	280	400
30GX-428---322EE-A	0,66	2X250	400
30GX-428---332EE-A	660	4 X 250	400
30GX-428---342EE-A	0,66	8X250	400
30GX-430---752EE-A	0,22	2X70	400
30GX-430---762--EA	0,26	2X100	400
30GX-430---842--EE	0,66	8X250	460
30RA-501---122EE-A	0,375	85	400
30RA-504---442--EF	0,45	200	400
30RA-506---672--EE	0,5	12,5	24
30RA-506---682--EE	1	25	24
30RA-506---692--EE	1,5	37,5	24
30RA-509---302--EF	1,3	33	400
30RH-500---912--EE	1,875	100	400
30RH-501---252--EE	2,18	120	400
30RH-501---262--EF	2,180 + 0,370	370	400
30RY-500---672--EF	1,48	80	400

Note : When changing heating plate, we recommend to replace the heating contactor



KMP

Moisture liquid indicators to sold on tube

Hexagonal sight glass shipped with plastic protection cap

Ordering Reference	Connection size (inch)	Total high (mm)	Maximum working pressure (bar)	Application
--XS--12AD-001--EE	5/8	22	35	R22-R134A-R407C
--XS--12AD-002--EE	7/8	22	35	R22-R134A-R407C
--XS--12AD-003--EE	1-1/8	22	35	R22-R134A-R407C
--XS--12AD-004--EE	1-5/8	22	35	R22-R134A-R407C
--XS--12AD-005--EE	1-3/8	22	35	R22-R134A-R407C

FILTERS DRIERS AND SHELLS / COPPER TUBE MOISTURE INDICATORS



KMP

Copper tube moisture indicators

Copper tube with sight glass shipped with plastic protection cap

Ordering Reference	Type	Connection size (inch)	Lenght (mm)	Application
--XS--12CA-001--EE	KSG5S	5/8	161	R22-R134A-R407C
--XS--12CA-002--EE	KSG7S	7/8	171	R22-R134A-R407C
--XS--12CA-003--EE	KSG9S	1-1/8	171	R22-R134A-R407C



ALCO

Brass connection moisture indicators

Brass connection sight glass shipped with plastic protection cap

CAUTION ! Remove sight glass head before brazing

Ordering Reference	Connection size (inch)	Maximum working pressure (bar)	Application
--XS--12AB-001--EE	1/4	35	R22
--XS--12AB-002--EE	3/8	35	R22
--XS--12AB-003--EE	1/2	35	R22
--XS--12AB-004--EE	5/8	35	R22
--XS--12AB-005--EE	7/8	35	R22
--XS--12AB-006--EE	1-1/8	35	R22



CARLY

Filters driers shells for cartridges

Ordering Reference	Connection size (inch)	Lenght (mm)	Cartridge quantity	Application
--XW--12DA-024--EE	2-5/8	709	4	R22-R134A-R407C-R410A
--XW--12DA-028--EE	2-5/8	424	2	R22-R134A-R407C-R410A
--XW--12MA-002--EE	1-1/8	525	3	R22-R134A-R407C-R410A
--XW--12MA-006--EE	2-1/8	900	4	R22-R134A-R407C-R410A



KMP / DANFOSS

Filters driers shells for cartridges

Filters driers and shells

Ordering Reference	Connection size (inch)	Lenght (mm)	Cartridge quantity	Application
--XW--12GB-002--EE	7/8	244	1	R22 - R134A
--KH--28ED-161--EE	7/8	267,72	1	R22-R134A-R407C-R410A
--XW--12GB-008--EE	1-1/8	385	2	R22 - R134A
--XW--12GB-010--EE	1-5/8	387	2	R22 - R134A
--KH--28ED-200--S	1-1/8	270,76	1	R22-R134A-R407C-R410A
--KH--28ED-202--EE	1-1/8	267	1	R22-R134A-R407C-R410A
--KH--28ED-240--EE	1-3/8	270	1	R22-R134A-R407C-R410A
--KH--28ED-242--C	1-3/8	409	2	R22-R134A-R407C-R410A
--KH--28ED-280--S	1-5/8	410	2	R22-R134A-R407C-R410A
00PPG000452501A	2/1-8	395,5	2	R22-R134A-R407C-R410A
00PPG000452502A	2-5/8	393,5	2	R22-R134A-R407C-R410A



PARKER

Filters driers shells for cartridges

Shell shipped with internal cartridge support and mechanical filtration

Steel sold connections

Ordering Reference	Connection size (inch)	Lenght (mm)	Cartridge quantity	Application
--XW--12GB-003--EE	1-1/8	246	1	R22-R134A-R407C
--XW--12GB-006--EE	2-1/8	256	1	R22-R134A-R407C
--XW--12GB-016--EE	1-3/8	675	4	R22-R134A-R407C
--XW--12GG-002--EE	1-3/8	246	1	R22-R134A-R407C
--XW--12GG-003--EE	1-5/8	248	1	R22-R134A-R407C
--XW--12GG-004--EE	2-1/8	400	2	R22-R134A-R407C

For other codes, please consult us



EMERSON

Filters driers shells for cartridges

Ordering Reference	Connection size (inch)	Cartridge quantity	Application
---P-505--819213S	1-5/8	4	R22-R134A-R407C-R410A
---P-505--8485--S	5/8	1	R22-R134A-R407C-R410A
---P-505--8489--S	1-1/8	1	R22-R134A-R407C-R410A
---P-505--8967--S	7/8	2	R22-R134A-R407C-R410A
---P-505--8969--S	1-1/8	2	R22-R134A-R407C-R410A
--KH--49EA-040--C	1-1/8	3	R22-R134A-R407C-R410A
--KH--49EA-200--C	1-3/8	4	R22-R134A-R407C-R410A



EMERSON Filters driers

Ordering Reference	Connection size (inch)	Lenght (mm)	Weight (kg)	Application
AM013536	1/2 ODF	157	0,91	R22-R134A-R407C-R410A
AM013540	5/8 ODF	162	0,91	R22-R134A-R407C-R410A
---P-502--8032--S	1/4 SAE	111	0,23	R22-R134A-R407C-R410A
---P-502--8082S-S	1/4 ODF	112	0,45	R22-R134A-R407C-R410A
---P-502--8083S-S	3/8 ODF	137	0,57	R22-R134A-R407C-R410A
---P-502--8084S-S	1/2 ODF	137	0,57	R22-R134A-R407C-R410A
---P-502--8165--S	5/8 SAE	192	0,8	R22-R134A-R407C-R410A
---P-502--8165S-S	5/8 ODF	167	0,8	R22-R134A-R407C-R410A
---P-502--8305S-S	5/8 ODF	235	1,59	R22-R134A-R407C-R410A
---P-502--8305--S	5/8 SAE	262	1,59	R22-R134A-R407C-R410A
---P-504--8164--S	1/2 SAE	177	0,91	R22-R134A-R407C-R410A
---P-504--8083--S	3/8 SAE	151	0,45	R22-R134A-R407C-R410A
---P-504--8084S-S	1/2 ODF	137	0,45	R22-R134A-R407C-R410A
---P-502--8417S-S	7/8 ODF	254	1,59	R22-R134A-R407C-R410A



DANFOSS
Filters driers

Ordering Reference	Connection size (inch)	Lenght (mm)	Weight (Kg)	Application	Maximum working pressure (bar)
00PPG000462101A	5/8	160	0,668	R22-R134A-R407C-R410A	46
00PPG000462102A	7/8	246	1,31	R22-R134A-R407C-R410A	46
00PPG000462103A	7/8	247	1,826	R22-R134A-R407C-R410A	46
00PPG000466201A	1/2	154	0,906	R22-R134A-R407C-R410A	46
00PPG000466202A	5/8	162	0,916	R22-R134A-R407C-R410A	46
00PPG000466203A	7/8	248	1,31	R22-R134A-R407C-R410A	46
023Z0031	1/2	NC	1,391	R22-R134A-R407C-R410A	46
023Z4589	3/4	NC	1,3	R22-R134A-R407C-R410A	46
00PPG000462001A	5/8	146	46	R410A	
00PPG000462002A	7/8	173	46	R410A	
00PPG000462003A	1/2	146	35	R22-R134A-R407C-R410A	
00PPG000462004A	5/8	146	35	R22-R134A-R407C-R410A	
00PPG000462005A	7/8	173	35	R22-R134A-R407C-R410A	

Filters driers and shells

FILTERS DRIERS AND SHELLS / COMPLETE FILTERS DRIERS



KMP
Filters driers shell

Steel sold connections
Maximum working pressure = 35 bars
Working temperature - 45°C to + 75°C

Ordering Reference	Connection size (inch)	Lenght (mm)	Weight (kg)	Application
--XW--12EA-020--EE	5/8	238,4	1.3	R22-R134A-R407C-R410A
--XW--12EA-022--EE	7/8	259.3	1.52	R22-R134A-R407C-R410A

For other codes, please consult us

www.carrier-ercd.com



ALCO / DANFOSS / CARLY

Permanent or temporary application cartridges

42 type : volume 688 cm³

48 type : volume 787 cm³

100 type : volume 1639 cm³

Ordering Reference	Type	Description	Total external diameter (mm)	Lenght (mm)	Application
--KH--29MD-060--S			95	137	R134A
--KH--29MD-048--EE	023U1396		95	138	R134A - R407C- R410A
--XW--12EA-015--EE	11023		150	144	R134A, R22, R407C,R410A,R404A
---P5068-H-100--S	S100		121	165	R22
---P5068-H-48--S	H48		95	140	R22
--XW--12EA-008--EE	CCY 42 HP	PERMANENTE	80,5	148	R22 - R134A
--XW--12EA-009--EE	CCY48HP	PERMANENTE	94	139,5	R22 - R134A
--XW--12EA-010--EE	CCY42N	TEMPORAIRE BURN OUT	80,5	148	R22 - R134A
--XW--12EA-011--EE	CCY48N	TEMPORAIRE BURN OUT	94	139,5	R22 - R134A
--XW--12EA-003--EE	48DN	PERMANENTE	93,5	138	R22-R134A-R407C
00PPG000445000A	/		95	138	R22-R134A-R407C-R410A
--XW--12EA-001--EE	W48	TEMPORAIRE	95		R22-R134A-R407C-R410A
--XW--12EA-002--EE	W100	TEMPORAIRE	121		R22-R134A-R407C-R410A

FILTERS DRIERS AND SHELLS / PERMANENT APPLICATION CARTRIDGES



ALCO / DANFOSS / CARLY

Permanent application cartridges

42 type : volume 688 cm³

48 type : volume 787 cm³

100 type : volume 1639 cm³

Ordering Reference	Type	Description	Total external diameter (mm)
--XW--12EA-004--EE	CCY42F	TEMPORARY	80
--XW--12EA-005--EE	CCY48F	TEMPORARY	95
---P5068-F--48--S	F48	TEMPORARY	95



CARLY

Inox cartridges

Permanent application cartridges

42 type: volume 688cm³

48 type: volume 787cm³

100 type: volume 1 639cm³

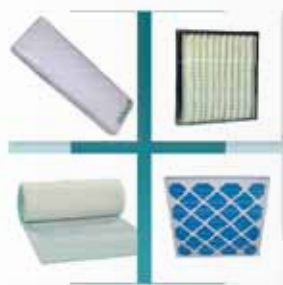
Ordering Reference	Type	Description	Total external diameter (mm)	Lenght (mm)	Application
--XW--12EA-006--EE	CCY421	PERMANENT	80	155	R22-R407C-R134A-R410A
--XW--12EA-007--EE	CCY481	PERMANENT	95	140	R22-R407C-R134A-R410A



DELCHI

Air filters assembled in Delchi split system

Ordering Reference	Size (mm)
51300911500	265 X 455
000000051300912600	328 X 255
0150711X61	423 X 207 X 12
0150711X62	643 X 207 X 12
0150711X63	863 X 205 X 12
0150711X64	1083 X 207 X 12
0150711X85	1025 X 280 X 12
0150711X86	1220 X 330 X 12
10321111001R	387 X 357
42KG5B5013A	285 X 240
42KP5A3013	313 X 278
B033262H01	745 X 255
B033263X01	1050 X 280
C020438H03	372 X 170 X 3
C023554G01	592 X 612
C024160H01	610 X 210
C024161H01	788 X 280
C024162H01	1100 X 300
D017812X01	980 X 220
D019205H01	288 X 243 (262)
D019232H01	288 X 262 (298)
D020894G01	390 X 188
E000299H01	407 X 431
T300912620	328 X 255
T302916500	571 X 215

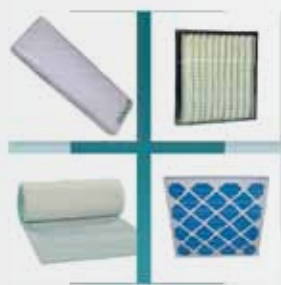


CAMFIL

Prefiltration filters

Efficacy G3

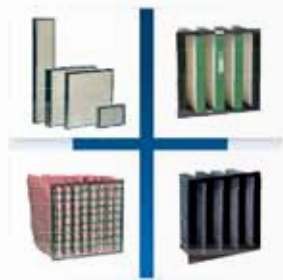
Ordering Reference	Size (mm)	Efficacy
35BD530542M	FRAME	
41MC500222M	360X427	G3
42BJ510022M	240X550X48	G3
42BJ551002M-	240X400	G3
42CE500302M-	490X180	G3
42CE500312M-	570X180	G3
42EL500082M	218X984	G3
42EM500312M	578X208	G3
42EM500322M	978X208	G3
42EM503522M-	230X408	G3
--KH--12AD-005--M	594X594X25	G3
--KH--12AD-006--M	594X287X25	G3
--KH--12AD-008--M	720X585X20	G3
--KH--12AD-017--M	490X770X20	G3
--KH--12AD-019--M	892X287X25	G3
--KH--12AE-003--M	890X630X50	G3
--KH--12AE-004--M	890X940X50	G3
--KH--12AE-006--M	594X287X50	G3
--KH--12AE-018--M	892X592X50	G3
--KH--12AE-019--M	892X287X50	G3
--KH--12AZ-027--M	620X935X25	G3
--KH--12AZ-101--M	480X490X25	G3
--KH--12AZ-107--M	715X680X25	G3
--XF--12DA-005--E-	594X594X50	G3



CAMFIL

Prefiltration filters
Efficacy G4

Ordering Reference	Size (mm)	Efficacy
--KH--12AA-005--M	594X594X50	G4
--KH--12AA-006--M	594X287X50	G4
--KH--12AC-001--M	594X594X25	G4
--KH--12AC-002--M	594X287X25	G4
--KH--12AC-003--M	892X592X25	G4
--KH--12AC-008--M	890X940X25	G4
--KH--12AC-021--M	490X538X23	G4
--KH--12AC-023--M	720X592X23	G4
--KH--12AF-001--M	575X630X75	G4
--KH--12AF-002--M	575X940X75	G4
--KH--12AF-003--M	890X630X75	G4
--KH--12AF-004--M	890X940X75	G4
--KH--12AR-001--M	575X630X75	G4
--KH--12AS-007--M	485X550X50	G4
--KH--12AZ-102--M	480X680X25	G4
--KH--12BA-003--M	490X770X50	G4
--KH--12BA-004--M	720X770X50	G4
--KH--12BA-005--M	720X590X50	G4
14742300	289X289X50	G4
14742400	289X594X50	G4
14743800	594X594X50	G4
42BJ510002M	FRAME	G4
42BJ510012M	240X400X48	G4
42GR501622M	230X350X150	G4
--KH--12AA-003--M	890X630X50	G4



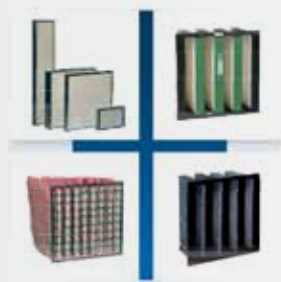
CAMFIL

Comfort filtration

Air treatment.

Efficacy F3 - F5 - F6 - F7 - F8 - F9

Ordering Reference	Size (mm)	Efficacy
41EA-500---552--EE	780X610X100	F3
41EC-500---372--EE	780X585X110	F3
00000000014720017	437X287X48	F5
41PS-501---062--EE	780X690X100	F5
41TB-500---442--EE	945X560X50	F5
42BJ510032M	240X550X48	F5
42BJ510562M	470X240X54	F5
42BJ513392MG	550X316X48	F5
--KH--12AR-002--M	575X940X75	F5
--KH--12AS-005--M	594X594X50	F5
--KH--12AS-006--M	594X287X50	F5
--KH--12AS-008--M	715X595X50	F5
--KH--12AS-010--M	485X780X50	F5
--KH--12AS-012--M	892X287X50	F5
MTA540023M	225X352X48	F5
MTA540752M	395X352X48	F5
42EM502072M	585X212X50	F6
42EM502082M	985X212X50	F6
--KH--12AJ-001--M	592X592X534	F6
--KH--12AJ-002--M	287X592X534	F6
--KH--12AJ-005--M	892X592X534	F6
--KH--12AJ-006--M	892X287X534	F6
--KH--12AJ-012--M	720X572X534	F6
--KH--12AJ-013--M	720X768X534	F6
--KH--12AJ-101--M	592X592X547	F6
--KH--12BO-001--M	592X592X25	F6
00000000013875201	592X592X500	F7
00000000013879904	437X287X520	F7
000000000200004651	287X592X534	F7
000000000200004652	287X287X534	F7
000000000200013378	592X592X290	F7
13879904-437592520	437X592X520	F7
13879904-592287520	592X287X520	F7



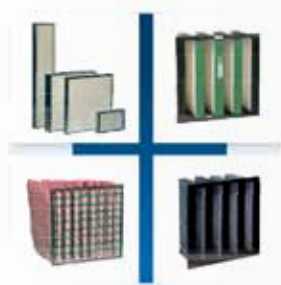
CAMFIL

Comfort filtration

Air treatment

Efficacy F3 - F5 - F6 - F7 - F8 - F9

Ordering Reference	Size (mm)	Efficacy
--KH--12AB-001--M	592X592X534	F7
--KH--12AB-002--M	592X287X534	F7
--KH--12AB-003--M	592X592X635	F7
--KH--12AB-005--M	892X592X534	F7
--KH--12AB-006--M	892X287X534	F7
--KH--12AB-007--M	592X592X292	F7
--KH--12AB-008--M	289X592X292	F7
--KH--12AB-110--M	490X538X534	F7
--KH--12AB-112--M	720X592X534	F7
--KH--12AB-113--M	720X768X534	F7
--KH--12B0-101--M	592X592X25	F7
--KH--12B0-102--M	287X592X25	F7
000000000200004585	592X592X290	F8
000000000200013379	592X292X290	F8
B036874H01	485X715X50	F8
--KH--12AI-001--M	592X592X534	F8
--KH--12AI-006--M	592X287X292	F8
39FZ-466---292--EE	595 X 592 X 290	F9
39FZ-466---302--EE	595 X 287 X 290	F9
B036874H02	350X1460/3X50	F9
--KH--12AI-002--M	287X592X534	F9
--KH--12AI-007--M	892X592X534	F9



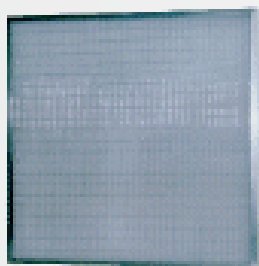
CAMFIL

High efficacy filters

Clean process

High efficacy, H10 - H11 - H12 - H13 - H14 - U15 - U16 - U17

Ordering Reference	Size (mm)	Efficacy
39FZ-462---992--EE	595 X 595 X 290	CARBON
39FZ-463---002--EE	592 X 290 X 290	CARBON
39FZ-588---732--EE	610 X 610 X 292	H13
39FZ-588---742--EE	305 X 610 X 292	H13
--KH--12AM-007--M	FRAME	
--KH--12AP-006--M	295 X 600 X 292	
--KH--12BI-001--M	595X595X292	H13
--KH--12BI-002--M	289X595X292	H13
--KH--12BI-003--M	595X595X292	H10
--KH--12BP-102--M	FRAME	CARBON



LOMBARDA

Air filters

Efficacy G2-G3

Ordering Reference	Size (mm)	Efficacy
0150711X82	413X203X12	G2
0150711X83	483X257X12	G2
0150711X84	633X352X12	G2
0150722X03	422X215X12	G2
0150722X04	642X215X12	G2
0150722X05	862X215X12	G2
0150722X16	568X496X20	G3
0150722X19	580X250X20	G3
0150722X20	725X250X20	G3
0150722X21	1015X250X20	G3



KALTHOFF

Air filters

Efficacy G4-F7

Ordering Reference	Size (mm)	Efficacy
000000000200002532	292X292X48	G4
000000000200002534	596X596X48	G4
000000000200032976	592X287X360	F7
000000000200032977	287X592X360	F7
000000000200032978	592X592X360	F7
000000000200032979	287X287X360	F7
000000000200046888	566X352X92	F7
000000000200046889	866X432X92	F7
000000000200046890	592X592X92	F7
000000000200046891	752X502X92	F7
000000000200046892	866X432X500	F7
000000000200046893	592X592X500	F7
000000000200046894	502X752X500	F7
000000000200046895	592X892X500	F7



CARRIER

Mini high pressure switch

Pressure Switch

Ordering Reference	Type	Connection size (inch)	Opening point (bar)	Setting point (bar)	Application	Differential (bar)	Voltage (V)	Reset
00PPG000022600A		7/16 - 20UNF	21	15	R134A	-	250	-
00PPG000488900A	PS80-01-0008	1/4 SAE FEMALE	29,3	22	R22	-	-	-
--HK--02ZA-442--S	PS80-01-0015	1/4 SAE FEMALE	29,8	22,4	R22	-	-	-
--HK--02ZA-395--C	PS80-03-0018	1/4 SAE-FEMALE	27,2	20,3	R22	-	-	-
--WB--12BG-016--EE	PSC-B6S	7/16 - 20UNF	16	-	R22-R134A-R407C	5 +/-1.5	230	EXTERNAL MANUAL
--WB--12BG-027--EE	PSC-B6S	7/16 - 20UNF	27	-	R22-R134A-R407C	6,2 +/-1,9	230	EXTERNAL MANUAL
--WB--12BG-029--EE	PSC-B6S	7/16 - 20UNF	29	-	R22-R134A-R407C	6,6 +/-2	230	EXTERNAL MANUAL
--WB--12BH-017--EE	PSC-S6S	7/16 - 20UNF	17	-	R22-R134A-R407C	5 +/-1.5	230	INTERNAL MANUAL
--WB--12BH-028--EE	PSC-S6S	7/16 - 20UNF	28	-	R22-R134A-R407C	6,2 +/-1,9	230	INTERNAL MANUAL
--WB--12BH-030--EE	PSC-S6S	7/16 - 20UNF	30	-	R22-R134A-R407C	6,6 +/-2	230	INTERNAL MANUAL
--WB--12BG-022--EE	PSC-B6S	7/16 -20UNF FEMALE	21,8	-	R22-R134A-R407C	5,8 +/-1.8	230	EXTERNAL MANUAL
--WB--12BH-023--EE	PSC-S6S	7/16 -20UNF FEMALE	22,8	-	R22-R134A-R407C	5,8 +/-1.8	230	INTERNAL MANUAL
00PPG000008202A	ACB-1UB540W	7/16 - 20UNF	41,7	33	R410A	-	-	AUTOMATIC
00PPG000008201A	ACB-1UB27W	7/16 -20UNF FEMALE	44,2	34	R410A	-	-	AUTOMATIC

PRESSURE SWITCH / MINI LOW PRESSURE SWITCH



CARRIER

Mini low pressure switch

Ordering Reference	Type	Connection size (inch)	Electrical cable length (mm)	Opening point (bar)	Setting point (bar)	Automatic reset	Application	Voltage (V)
--HK--02ZB-027--C	PS80-02-F0072	1/4 SAE-FEMALE	750	1,9	4,6	X	R22	24 / 125 /230
--HK--02ZB-028--C	PS80-02-F0073	1/4 SAE FEMALE	1200	1,8	4,6	X	R22	24 / 125 /230
--HK--02ZB-038--S	PS80-02-F0074	1/4 SAE FEMALE	1200	0,5	1,5	X	R22	24 / 125 /230
--WA--12MN-006--EE	PS3W1S	7/16 - 20UNF	-	2,41	-	X	R22-R134A-R407C	230
--WA--12MN-009--EE	PS3-AF1	7/16 - 20UNF	-	3	-	X	R22-R134A-R407C	230

For other codes, please consult us



CARRIER

High pressure switch

Application R22

Ordering Reference	Type	Connection size (inch)	Capillary length (m)	Setting point (bar)	Setting range calibration (bar)	Opening point (bar)	Automatic reset	Voltage (V)
--WA--12PH-001--EE	P20EA9681T	1/4 SAE FEMALE	7 - 29	24	X	230	16,9	230
--WA--12PH-002--EE	P20EA9681T	1/4 SAE FEMALE	7 - 29	-	X	230	13,9	230
--WA--12PH-003--EE	P20EA9681S	1/4 SAE FEMALE	-	23	-	230	15,9	230
--WA--12PH-004--EE	P20EA9681T	1/4 SAE FEMALE	7 - 29	25	X	230	17,9	230
--WA--12PH-005--EE	P20EA9681T	1/4 SAE FEMALE	7 - 29	27	X	230	19,9	230
--WA--12PJ-001--EE	P20GA9651U	1/4 SAE FEMALE	7 - 29	26	X	230	-	230
--WA--12PJ-004--EE	P20GA9651U	1/4 SAE FEMALE	7 - 29	19	X	230	-	230
--WA--12PJ-005--EE	P20GA9651U	1/4 SAE FEMALE	7 - 29	21	X	230	-	230
--WA--12PJ-008--EE	P20GA9651U	1/4 SAE FEMALE	7 - 29	24	X	230	-	230
--WA--12PJ-009--EE	P20GA9651U	1/4 SAE FEMALE	7 - 29	28	X	230	-	230
--WA--12PJ-010--EE	P20GA9651U	1/4 SAE FEMALE	7 - 29	29	X	230	-	230

Pressure Switch

PRESSURE SWITCH / HIGH PRESSURE SWITCH



JOHNSON

High pressure switch

Ordering Reference	Connection size (inch)	Opening point (bar)	Application	Setting range calibration (inch)
--WA--12BB-002--EE	1/4 SAE	17	R22	NC
--WA--12BB-003--EE	1/4 SAE	19	R22	NC
--VA--12BF-005--EE	7/16 MALE - 20UNF	22	R22 - R134A	3-30
--VA--12BF-006--EE	7/16 MALE - 20UNF	20	R22 - R134A	3-30
--VA--12BF-008--EE	7/16 MALE - 20UNF	13,8	R22 - R134A	3-30
--VA--12AA-002--EE	7/16-2 OUNF	11	R22 - R134A	3-30
--VA--12AA-003--EE	R 3/8 MÅLE	-	-	0.2 - 4
--WA--12KN-011--EE	-	21,8	-	10-31
0352207X15	-	18	-	14-24

For other codes, please consult us

www.carrier-ercd.com



JOHNSON CONTROL

Double high pressure switch

Ordering Reference	Setting point (bar)	Setting range calibration (bar)	Opening point (bar)	Application
--VA--12BF-001--EE	3 - 30	3 - 30	DBK 19 - SDBK 20,5	R22 - R134A
--VA--12BF-004--EE	3 - 30	3 - 30	DBK 29 - SDBK 30,5	R22 - R134A
--VA--12BF-007--EE	3 - 30	3 - 30	DBK 27 - SDBK 28,5	R22 - R134A

Pressure Switch

PRESSURE SWITCH / LOW PRESSURE SWITCH



CARRIER

Low pressure switch

Application R22

Ordering Reference	Type	Connection size (inch)	Capillary lenght (m)	Setting point (bar)	Setting range calibration (bar)	Opening point (bar)	Automatic reset	Voltage (V)
--WA--12LN-002--EE	P20EA9530FC	1/4 SAE FEMALE	1,22	2,4	0,48 - 10,34	1,5	X	230
--WA--12LN-005--EE	P20EA9530FC	1/4 SAE FEMALE	0,9	2,9	0,48 - 10,34	2	X	230
--WA--12LN-006--EE	P20EA9530FC	1/4 SAE FEMALE	1,22	3,9	0,48 - 10,34	3	X	230
--WB--12LN-003--EE	P20FA9510FC	1/4 SAE FEMALE	0,9	0,5 - 10	0,5 - 10	3	X	230
--WB--12LN-001--EE	P20FA9510FC	1/4 SAE FEMALE	0,9	0,5 - 10	0,5 - 10	0,5	X	230
--WB--12BB-003--EE	P20EA9530FC	1/4 SAE FEMALE	0,9	5,1	0,5 - 10	3	X	230
--WB--12BB-004--EE	P20EA9621D	1/4 SAE FEMALE	1,2	4	0,5 - 10	2,5	X	230
--WB--12BB-005--EE	P20EA9530FC	1/4 SAE FEMALE	0,9	4,6	0,5 - 10	2,5	X	230
--WA--12LN-011--EE	P20EA9530FC	1/4 SAE FEMALE	0,9	3,6	0,5 - 10	0,5	X	230

For other codes, please consult us



DANFOSS
Pressure switch

Ordering Reference	Differential (bar)	Maximum working pressure (bar)	Application
0602008-	1/4 IN FLARE	0,70 - 4,00	17-35
0602051-	1/4 IN FLARE NUT	0,70 - 4,00	17
0602054-	1/4 IN FLARE NUT	4	35
0602058-	1/4 IN FLARE NUT	0,70 - 4,00	17-35
0602059-	1/4 IN FLARE NUT	0,70 - 4,00	17-35



DANFOSS
Oil pressure switch

Pressure Switch

Ordering Reference	Différential (bar)	Maximum working pressure (bar)	Application
060B2007	0,30 - 4,50	17	R22-R134A-R407C-R410A
060B2058	0,41 (FIXED)	17	R22-R134A-R407C-R410A

PRESSURE SWITCH / OIL DIFFERENTIAL PRESSURE SWITCH



CARRIER
Oil differential pressure switch

Ordering Reference	Type	Reverse contact function	Capillary lenght (m)	Breaking capacity at 400V	Power cut differential pressure (bar)	Interlocking differential pressure (bar)
--HK--06UC-006--S	PD11-1011	X	2,133	750 VA	0,27 - 0,41	0,62 - 0,82
30GT-660---018--S						
--HK--06UC-007--C	PD11-1034	X	0,609	750VA	0,27 - 0,41	0,62 - 0,82

For other codes, please consult us



ELIWELL

Electronic thermostats

Sold with sensors, fixings and technical brochures

Thermostats

Ordering Reference	Temperature range (°C)	Accuracy (°C)	Power supply (Vac)	Size (mm)	Maximum load (A)	Maximum consumption (VA)	Sensor	Shell
ID961-16A230VNTC3M	-55 / +99	0,5 / +1	230	32X74	16	3	NTC SIL	PLASTIC
ID961-8A230VNTC15M	-55 / +99	0,5 / +1	230	32X74	8	3	NTC SIL	PLASTIC
ID961-8A230VNTC3M	-55 / +99	0,5 / +1	230	32X74	8	3	NTC SIL	PLASTIC



HONEYWELL

Electronic thermostats

Ordering Reference	Temperature range (°C)	Accuracy (°C)	Power supply (Vac)	Size (mm)	Maximum load (A)	Maximum consumption (VA)	Sensor	Shell
OP12CA021EE	10 TO 30	+/- 0,5	230	83X130X40	4(2)	NC	DOUBLE DIAPHRAGM	IP30
OP12CA023EE	10 TO 30	+/- 0,5	230	83X130X40	4(2)	NC	DOUBLE DIAPHRAGM	IP30
--OP--12CA-030--EE	10 TO 30	+/- 0,5	230	83X130X40	4(2)	NC	DOUBLE DIAPHRAGM	IP30
---T6375-C1029---E	10 TO 30	+/- 0,5	230	83X130X40	4(2)	NC	DOUBLE DIAPHRAGM	IP30



DANFOSS

Thermostats

Ordering Reference	Description	Type	Capillary length (m)	Setting point (°C)	Manual differential (°C)	Specifications
--WG--12RA-005--EE	DEFROST THERMOSTAT	KP73	5	-30 / 10	3,5	AMBIANT WORKING TEMPERATURE RANGE: -40/+65°C. BULB MAXIMUM TEMPERATURE OF +80°C. IP30 PROTECTION. EXTERNAL MANUAL RESET.



PENN

Thermostats

Ordering Reference	Description	Type	Capillary length (m)	Setting point (°C)
--HH--24CZ-020--S	2 STEP THERMOSTAT	A28GA9010	4,5	-7 / +27



HONEYWELL

Thermostats

Ordering Reference	Description	Type	Capillary length (m)	Setting point (°C)	Bulbe diameter / length (mm)	Voltage	Specification
--HH--23AG-085--C	POTENTIOMETRIC THERMOSTAT	T915C1407	6	-10 / +30	12,7 X 101,6	24	STEP CONTROLER MONITOR

For other codes, please consult us

www.carrier-ercd.com

MEAS

Temperature sensors

Thermostats

Ordering Reference	Type	Size (ø x L)	Cable length (m)	Cable material	Exactitude (%)	Protection	Voltage (V)	Maximum pressure (bar)	Working range temperature (°C)
OP12CA036EE	NTC	6X28	2	PVC	±0.2°C SUR 0-70°C	IPX7	NC	NC	-40 / +105
00PPG000470301A	NTC	4.76X58	0,5	PVC	+/- 0.88% À 25°C +/-0.99% À 0°C +/-0.75% À 70°C	IPX7	5	21	-40 / +105
00PPG000470302A	NTC	4.76X58	3,5	PVC	+/- 0.88% À 25°C +/-0.99% À 0°C +/-0.75% À 70°C	IPX7	5	21	-40 / +105
00PPG000470303A	NTC	4.76X58	5,5	PVC	+/- 0.88% À 25°C +/-0.99% À 0°C +/-0.75% À 70°C	IPX7	5	21	-40 / +105
00PPG000470304A	NTC	4.76X58	7,5	PVC	+/- 0.88% À 25°C +/-0.99% À 0°C +/-0.75% À 70°C	IPX7	5	21	-40 / +105
00PPG000470305A	NTC	4.76X58	10	PVC	+/- 0.88% À 25°C +/-0.99% À 0°C +/-0.75% À 70°C	IPX7	5	21	-40 / +105
00PPG000470306A	NTC	4.76X58	15	PVC	+/- 0.88% À 25°C +/-0.99% À 0°C +/-0.75% À 70°C	IPX7	5	21	-40 / +105
00PPG000470307A	NTC	4.76X58	1	PVC	+/- 0.88% À 25°C +/-0.99% À 0°C +/-0.75% À 70°C	IPX7	5	21	-40 / +105
00PPG000470500A	NTC	4.76X76.2	4,1	PVC	+/- 0.68% À 25°C +/-0.88% À 0°C +/-0.99% À 70°C	IPX7	5	21	-40 / +105
00PPG000470600A	NTC	4.76X76.2 CÂBLE COURBÉ	0,33	PVC	+/-0.5°C DE -40 À 0°C +/-0.2°C DE 0 À 70°C +/-0.25°C DE 70 À 80°C +/-0.8°C DE 80°C À 100°C	IPX7	5	21	-40 / +115
00PPG000470700A	NTC	6.35X76.2	/	/	+/- 0.68% À 25°C +/-0.88% À 0°C +/-0.99% À 70°C	IPX7	5	21	-40 / +115
00PPG000470800A	NTC	6.35X25.4	/	/	+/- 0.68% À 25°C +/-0.88% À 0°C +/-0.99% À 70°C	IPX7	5	21	-40 / +115

For other codes, please consult us



SIEMENS

3 Poles Contactors

NO: Normaly open

NF: Normaly closed

Below given values are issued from Siemens catalog, they are absolutely not the values witch are used to select components in CARRIER units

Ordering Reference	Auxiliary contact	Power AC3 / 400V	Coil voltage/frequency
3RT1015-1AB01	1 NO	3	24V / 50-60Hz
3RT1015-1AB02	1 NF	3	24V / 50-60Hz
3RT1015-1AF01	1 NO	3	110V / 50-60Hz
3RT1015-2AB01	1 NO	3	24V / 50-60Hz
3RT1015-2AB02	1 NF	3	24V / 50-60Hz
3RT1016-1AB01	1 NO	4	24V / 50/60Hz
3RT1017-1AB01	1 NO	5,5	24V / 50-60Hz
3RT1017-1AB02	1 NF	5,5	24V / 50-60Hz
3RT1017-2AB01	1 NO	5,5	24V / 50-60Hz
3RT1024-1AB00	-	5,5	24V / 50Hz
3RT1024-1AF00	-	5,5	110V / 50Hz
3RT1024-3AB00	-	5,5	24V / 50Hz
3RT1025-1AB00	-	7,5	24V / 50Hz
3RT1025-3AB00	-	7,5	24V / 50Hz
3RT1026-1AB00	-	11	24V / 50Hz
3RT1026-1AB04	-	11	24 V 50 HZ
3RT1026-1AF00	-	11	110V / 50Hz
3RT1026-3AB00	-	11	24V / 50Hz
3RT1034-1AB00	-	15	24V / 50Hz
3RT1034-1AB04	2NO / 2 NF	15	24V / 50Hz
3RT1034-1AF00	-	15	110V / 50Hz
3RT1034-3AB00	-	15	24V / 50Hz
3RT1034-3AF00	-	15	110V / 50Hz
3RT1035-1AB00	-	18,5	24V / 50Hz
3RT1035-1AB04	-	18,5	24V / 50Hz
3RT1035-1AF00	-	18,5	110V / 50Hz
3RT1035-1AG20	-	18,5	110V / 50Hz
3RT1035-3AB00	-	18,5	24V / 50Hz
3RT1035-3AF00	0	18,5	110V / 50Hz
3RT1036-1AB00	-	22	24V / 50Hz
3RT1036-1BF40	0	22	110V / 50Hz



SIEMENS

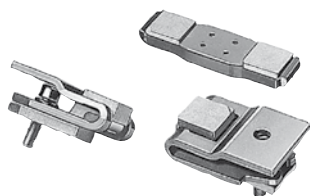
3 Poles Contactors

NO: Normaly open

NF: Normaly closed

Below given values are issued from Siemens catalog, they are absolutely not the values witch are used to select components in CARRIER units

Ordering Reference	Auxiliary contact	Power AC3 / 400V	Coil voltage
3RT1044-1AF00	0,00	30	110V / 50Hz
3RT1044-1AG20	0	30	110V / 50Hz
3RT1044-3AF00	0	30	110V / 50Hz
3RT1045-1AF00	0	37	110V / 50Hz
3RT1045-3AF00	0	37	110V / 50Hz
3RT1054-6AF36	2NO / 2NC	55	110-127V / 40-60Hz
3RT1056-6AF36	2NO / 2 NF	90	110-127 VUC
3RT1064-2AF36	2NO / 2 NF	110	110-127 VUC
3RT1064-6AF36	2NO / 2 NF	110	110-127 VUC
3RT1065-6AF36	2NO / 2 NC	132	110-127V / 40-60Hz
3TF6844-0CF7	4NO / 4NC	335	110-132V / 50-60Hz
3TF6944-0CF7	4NO / 4NC	450	110-132V / 50-60Hz



SIEMENS

Contactors Accessories

Below given values are issued from Siemens catalog, they are absolutely not the values witch are used to select components in CARRIER units

Ordering Reference	Power AC3 / 400V	Description
3RT1954-6A	55	ACCESORIE / MAIN CONTACTS COMPLET SET FOR 3RT1054
3RT1955-6A	75	ACCESORIE / MAIN CONTACTS COMPLET SET FOR 3RT1055
3RT1956-6A	90	ACCESORIE / MAIN CONTACTS COMPLET SET FOR 3RT1056
3RT1964-6A	110	ACCESORIE / MAIN CONTACTS COMPLET SET FOR 3RT1064
3RT1965-6A	132	ACCESORIE / MAIN CONTACTS COMPLET SET FOR 3RT1065



SCHNEIDER

Contactors

NO: Normaly openNF: Normaly closed

Below given values are issued from Schneider catalog, they are absolutely not the values witch are used to select components in CARRIER units

Ordering Reference	Auxiliary contact	Power in 400V (kW)	Terminal	Coil voltage/frequency
LC1K0601B7	1NF	2,2	SCREW	24VCA
LC1K0610B7	1NO	2,2	SCREW	24VCA
LC1K09004B7	-	4	SCREW	24VCA
LC1K0901B7	1NF	4	SCREW	24VCA
LC1K0910B7	1NO	4	SCREW	24VCA
LC1D12B7	1NO / 1 NF	5,5	SCREW	24VCA
LC1D18B7	1NO / 1 NF	7,5	SCREW	24VCA
LC1D25B7	1NO / 1 NF	11	SCREW	24VCA
--CT--12SA-099--EE	1NO / 1 NF	4	SCREW	110V



TELEMECANIQUE

Contactors

NO: Normaly open

NF: Normaly closed

Ordering Reference	Type	Auxiliary contact	Power in 400V (kW)	Coil voltage/frequency
--CT--12DA-099--EE	LC1D09P7	1 NO / 1 NF	4	230V / 50Hz
--CT--12DA-129--EE	LC1D12P7	1 NO / 1 NF	5,5	230V / 50Hz
--CT--12DA-169--EE	LC1D18P7	1 NO / 1 NF	7,5	230V / 50Hz
--CT--12DA-259--EE	LC1D25P7	1 NO / 1 NF	11	230V / 50Hz
--CT--12DA-403--EE	LC1D40P7	1 NO / 1 NF	18,5	230V / 50Hz
--CT--12DA-503--EE	LC1D50P7	1 NO / 1 NF	22	230V / 50Hz
--CT--12DA-603--EE	LC1D65P7	1 NO / 1 NF	30	230V / 50Hz
--CT--12DA-803--EE	LC1D80P7	1 NO / 1 NF	37	230V / 50Hz
--CT--12SB-099--EE	LC1D09B7	1 NO / 1 NF	4	24V / 50Hz
--CT--12SB-129--EE	LC1D12B7	1 NO / 1 NF	5,5	24V / 50Hz
--CT--12SB-169--EE	LC1D18B7	1 NO / 1 NF	7,5	24V / 50Hz
--CT--12SB-259--EE	LC1D25B7	1 NO / 1 NF	11	24V / 50Hz
--CT--12SB-403--EE	LC1D40B7	1 NO / 1 NF	18,5	24V / 50Hz
--CT--12SB-503--EE	LC1D50B7	1 NO / 1 NF	22	24V / 50Hz
--CT--12SB-603--EE	LC1D65B7	1 NO / 1 NF	30	24V / 50Hz
--CT--12SB-803--EE	LC1D80B7	1 NO / 1 NF	37	24V / 50Hz



ABB

Contactors

NO: Normaly ope
NF: Normaly closed

Ordering Reference	Type	Auxiliary contact	Power AC3 / 400V	Coil voltage/frequency
0351801X93	AF26-30-00-13	0 NO / 0 NF	15	100V / 50Hz
0351802H98	A9-30-01	0 NO / 1 NF	-	220V / 50Hz
0351804H30	A30-30-01	0 NO / 1 NF	15	24V / 50Hz
0351804H62	ESB20-20	2 NO MAIN CONTACTS	-	230 V / 50Hz
0351804X19	A9-30-01	0 NO / 1 NF	-	24 V / 50 Hz
--CW--00AL-122--EE	A12-30-10	1 NO / 0 NF	5,5	220 V / 50 Hz
--CW--00AL-160--EE	A40-30-10	1 NO / 0 NF	18,5	220 V / 50 Hz
--CW--00AL-279--EE	A63-30-11	1 NO / 1 NF	30	110 V / 50 Hz
--CW--00AL-725--EE	A16-30-10	1 NO / 0 NF	9	24 V / 50 Hz
--CW--12AL-019--EE	A9.30.10	1 NO	4	220V / 50HZ
--CW--12AL-022--EE	A12.30.10	1 NO	5,5	220V / 50HZ
--CW--12AL-025--EE	A16.30.10	1 NO	7,5	220V / 50HZ
--CW--12AL-034--EE	A26.30.10	1 NO	11	220V / 50HZ
--CW--12AL-040--EE	A30.30.10	1 NO	15	220V / 50HZ
--CW--12AL-060--EE	A30.30.10	1 NO	15	220V / 50HZ
--CW--12AL-064--EE	A50.30.11	-	22	220V / 50HZ
--CW--12AL-079--EE	A63.30.11	-	30	220V / 50HZ
--CW--12AL-090--EE	A75.30.10	-	37	220V / 50HZ
--CW--12AL-619--EE	A9.30.10	1 NO	4	24V / 50HZ
--CW--12AL-622--EE	A12.30.10	1 NO	5,5	24V / 50HZ
--CW--12AL-625--EE	A16.30.10	1 NO	7,5	24V / 50HZ
--CW--12AL-634--EE	A26.30.10	1 NO	11	24V / 50HZ
--CW--12AL-640--EE	A30.30.10	1 NO	15	24V / 50HZ
--CW--12AL-660--EE	A30.30.10	1 NO	15	24V / 50HZ
--CW--12BE-001--EE	A95-30-00	3 NO / 0 NF MAIN CONTACT	45	220V / 50HZ
--CW--12BE-002--EE	A110-30-00	3 NO / 0 NF MAIN CONTACT	55	220 V / 50HZ
--CW--12BE-003--EE	A145-30-11	1 NO / 1 NF	75	220 V / 50HZ
--CW--12BE-005--EE	A185-30-11	1 NO / 1 NF	90	220 V / 50HZ
--CW--12BE-015--EE	A40-30-10	1 NO / 0 NF	18,5	220 V / 50HZ
--CW--12BE-016--EE	A50-30-00	0 NO / 0 NF	22	220 V / 50HZ
--CW--12BE-017--EE	A63-30-00	0 NO / 0 NF	30	220 V / 50HZ
--CW--12BE-018--EE	A75-30-00	0 NO / 0 NF	37	220 V / 50HZ

For other codes, please consult us

www.carrier-ercd.com



ABB

Mini Contactors

NO: Normaly open

NF: Normaly closed

Ordering Reference	Type	Auxiliary contact	Power AC3 / 400V	Voltage (V) / (A)	Coil voltage/frequency
--CW--12AF-602--EA	B6-30-10-01	0 NO / 1 NF	4	8A / 690V (AC-3)	24 V AC / 40...450
--CW--12AF-002--EA	B6-30-01-80	0 NO / 1 NF	4	8A / 690V (AC-3)	230 V AC / 40...450
0351811H21	VB6A-30-01-01	0 NO / 1 NF	4	8A / 690V (AC-3)	24 V AC / 40...450



SIEMENS

Auxiliary contact relays

NO: Normaly open

NF: Normaly closed

Below given values are issued from Siemens catalog, they are absolutely not the values witch are used to select components in CARRIER units

Ordering Reference	Terminal	Contact type
3RH1911-2FA22	CAGE CLAMP	2NO / 2NF
3RH1911-1FA40	SCREW	4NO
3RH1911-1HA01	SCREW	1NF
3RH1911-1HA12	SCREW	1NO / 2NF
3RH1911-1HA22	SCREW	2NO / 2NF
3RH1911-2HA01	CAGE CLAMP	1 NF
3RH1911-2HA12	CAGE CLAMP	1NO / 2NF
3RH1921-1DA11	SCREW (LATERAL)	1NO / 1 NF
3RH1921-1EA11	SCREW	1NO / 1NF
3RH1921-1EA20	SCREW (LATERAL)	2NO
3RH1921-1LA11	SCREW	1NO / 1 NF
3RH1921-1LA20	SCREW	2 NO
3RH1921-2DA11	CAGE CLAMP	1NO / 1NF
3RH1921-2FC22	CAGE CLAMP	2 NO / 2 NF
3RH1921-2HA22	CAGE CLAMP	2 NO / 2 NF
5ST3010	NC	1NF / 1NO



TELEMECANIQUE

Auxiliary contact relays

NO: Normaly open

NF: Normaly closed

Ordering Reference

--CT--12XA-011--EE

--CT--12XA-013--EE

--CT--12XA-022--EE

--CT--12XA-040--EE

Contacts type

1 NO / 1 NF

1 NO / 3 NF

1 NO / 2 NF

4 NO

Electrical Parts



SCHNEIDER

Auxiliary contact relays

NO: Normaly open

NF: Normaly closed

Ordering Reference

LA1KN11

CA2SK20B7

Terminal

SCREW

SCREW

Contacts type

1 NO / 4 NF

2 NO / 0 NF



ABB

Auxiliary contact relays

NO = Normaly Open

NF = Normaly closed

Ordering Reference	Type	Auxiliary contact	Contact type
00000000000871200	CAL18-11	1 NO / 1 NC	INSTANTANEOUS NO NC
--CW--12XA-031--EA	CA5-31E	3 NO/ 1 NF	-
--CW--12XC-001--EE	CAL16-11B	1 NO / 1 NC	INSTANTANEOUS NO NC CONTACT
--CW--12XC-002--EE	CAL16-11C	1 NO / 1 NC	INSTANTANEOUS NO NC CONTACT
--CW--12XL-001--EE	CA5 01	1 NF	-
--CW--12XL-010--EE	CA5 10	1 NO	-
--CW--12XL-901--EE	CC5-01	1 NC	DEFERRED NC CONTACT
--CY--12AK-305--EE	OZXX12	1 NO / 1 NC	-
--CY--12AK-405--EE	OZXX2	2 NO / 2 NC	-



SIEMENS

Starter

NO: Normaly open

NF: Normaly closed

Below given values are issued from Siemens catalog, they are absolutely not the values witch are used to select components in CARRIER units

Ordering Reference	starting / rated values for wiring type	Rated current $I_e/50^\circ\text{C}$ (A)	Power $40^\circ\text{C}/400\text{V}$ (kW)	Supply voltage (V)	Operational Voltage (V)
3RW3346-0EC34	CLASS 10 / INSIDE-DELTA CIRCUIT WITH EXTERNAL BYPASS	80	-	115 V AC	200-460 V AC
3RW4027-2BB04	CLASS 10 / INLINE CIRCUIT	32	15	AC/DC 24 V	200-480 V
3RW4037-2BB04	CLASS 10 / INLINE CIRCUIT	58	30	AC/DC 24 V	200-480 V
3RW3027-1BB04	CLASS 10 / INLINE CIRCUIT	29	15	AC/DC 24 V	200-480 V
3RW4028-1BB04	CLASS 10 / INLINE CIRCUIT	34	18.5	AC/DC 24 V	200-480 V
3RW3036-1BB04	CLASS 10 / INLINE CIRCUIT	42	22	AC/DC 24 V	200-480 V



EATON

Breakers

Breaking capacity 4000A with 400V.
Reverser auxiliary contact placed on the rear

Ordering Reference	Nominal current (A) / 400V	Terminal	Short circuit breaking capacity at 400V (kA)
--FL--12JA-052--EE	52	SCREW	5000A / 480VAC / UL508
--FL--12JA-055--EE	54	SCREW	5000A / 480VAC / UL508
--FL--12JA-060--EE	60	SCREW	5000A / 480VAC / UL508
--FL--12JA-066--EE	65	SCREW	5000A / 480VAC / UL508
--FL--12LA-070--EE	70	SCREW	5000A / 480VAC / UL508
--FL--12JA-076--EE	76	SCREW	5000A / 480VAC / UL508
--FL--12JA-077--EE	77	SCREW	5000A / 480VAC / UL508
--FL--12JA-078--EE	78	SCREW	5000A / 480VAC / UL508
--FL--12JA-080--EE	80	SCREW	5000A / 480VAC / UL508
--FL--12LA-080--EE	80	SCREW	5000A / 480VAC / UL508
--FL--12JA-084--EE	84	SCREW	5000A / 480VAC / UL508
--FL--12JA-088--EE	88	SCREW	5000A / 480VAC / UL508
--FL--12JA-089--EE	89	SCREW	5000A / 480VAC / UL508
--FL--12JA-097--EE	97	SCREW	5000A / 480VAC / UL508
--FL--12HA-012--EE	12	CAGE CLAMP	5000A / 480VAC / UL508
--FL--12HA-015--EE	15	CAGE CLAMP	5000A / 480VAC / UL508
--FL--12JA-015--EE	15	SCREW	5000A / 480VAC / UL508
--FL--12JA-020--EE	20	SCREW	5000A / 480VAC / UL508
--FL--12JA-025--EE	25	SCREW	5000A / 480VAC / UL508
--FL--12JA-030--EE	30	SCREW	5000A / 480VAC / UL508
--FL--12JA-036--EE	36	SCREW	5000A / 480VAC / UL508
--FL--12LA-038--EE	38	SCREW	5000A / 480VAC / UL508
--FL--12JA-041--EE	41	SCREW	5000A / 480VAC / UL508
--FL--12JA-050--EE	50	SCREW	5000A / 480VAC / UL508



SCHNEIDER

Breakers

Below given values are issued from Schneider catalog, they are absolutely not the values witch are used to select the components in CARRIER units

Ordering Reference	Nominal current (A) / 400V	Terminal
000000000000025421	4	SCREW
000000000000025507	32	SCREW
000000000000025508	40	SCREW
000000000000025509	50	SCREW



SIEMENS

3 Poles circuit Breakers

Without auxiliary contact bloc. Below given values are issued from Siemens catalog, they are absolutely not the values witch are used to select components in CARRIER units

Ordering Reference	Rated current $I_n/50^\circ\text{C}$ (A)	instantaneous overcurrent release I_m (A)	Thermal overload release setting current I_r (A)	Terminals
3RV1011-0CA10	0,25	3,3	0,18 - 0,25	SCREW
3RV1011-0DA10	0,32	3,8	0,22 - 0,32	SCREW
3RV1011-0DA20	0,32	3,8	0,22 - 0,32	CAGE CLAMP
3RV1011-0FA10	0,5	6	0,35 - 0,5	SCREW
3RV1011-0GA10	0,63	8,2	0,45 - 0,63	SCREW
3RV1011-0GA20	0,63	7,6	0,45 - 0,63	CAGE CLAMP
3RV1011-0HA20	0,8	10	0,55 - 0,80	CAGE CLAMP
3RV1011-0JA10	1	12	0,70 - 1,00	SCREW
3RV1011-0JA20	1	12	0,70 - 1,00	CAGE CLAMP
3RV1011-0KA10	1,25	16	0,9 - 1,25	SCREW
3RV1011-0KA20	1,25	15	0,9 - 1,25	CAGE CLAMP
3RV1011-1AA10	1,6	21	1,1 - 1,6	SCREW
3RV1011-1AA20	1,6	19	1,1 - 1,6	CAGE CLAMP
3RV1011-1BA10	2	26	1,4 - 2	SCREW
3RV1011-1BA20	2	24	1,4 - 2	CAGE CLAMP
3RV1011-1CA10	2,5	30	1,8 - 2,5	SCREW
3RV1011-1CA20	2,5	30	1,8 - 2,5	CAGE CLAMP
3RV1011-1DA10	3,2	42	2,2 - 3,20	SCREW
3RV1011-1DA20	3,3	42	2,2 - 3,3	CAGE CLAMP
3RV1011-1EA10	4	52	2,8 - 4	SCREW
3RV1011-1FA20	5	60	3,50 - 5,00	CAGE CLAMP
3RV1011-1GA10	6,3	82	4,5 - 6,3	SCREW
3RV1011-1GA20	6,3	82	4,5 - 6,3	CAGE CLAMP
3RV1011-1HA10	8	96	5,5 - 8	SCREW
3RV1011-1HA20	8	96	5,5 - 8	CAGE CLAMP
3RV1011-1JA10	10	120	7 - 10	SCREW
3RV2021-4CA20	22	286	17 - 22	SPRING-L.



SIEMENS

3 Poles circuit Breakers

Without auxiliary contact bloc. Below given values are issued from Siemens catalog, they are absolutely not the values witch are used to select components in CARRIER units

Ordering Reference	Rated current $I_n/50^\circ\text{C}$ (A)	instantaneous overcurrent release I_m (A)	Thermal overload release setting current I_r (A)	Terminals
3RV1011-1KA10	12	156	9 - 12	SCREW
3RV1011-1KA20	12	156	9 - 12	CAGE CLAMP
3RV1021-0CA10	0,25	3	0,18 - 0,25	SCREW
3RV1021-0GA10	0,63	7,6	0,45-0,63	SCREW
3RV1021-1BA15	2	26	1,4-2	SCREW
3RV1021-1EA10	4	48	2,8-4	SCREW
3RV1021-1GA10	6,3	82	4,5-6,3	SCREW
3RV1021-1HA10	8	96	5,5-8	SCREW
3RV1021-1KA10	12	150	9,2-12,0	SCREW
3RV1021-4AA10	16	208	11-16	SCREW
3RV1021-4AA15	16	208	11-17	SCREW
3RV1021-4BA10	20	260	14-20	SCREW
3RV1021-4BA15	20	260	14-20	SCREW
3RV1021-4DA10	25	300	20-25	SCREW
3RV1031-4EA10	32	416	22 - 32	SCREW
3RV1031-4HA10	50	650	40 - 50	SCREW
3RV1041-4KA10	75	975	57 - 75	SPRING-L.
3RV1421-1CA10	2,5	52	1,6-2,5	SCREW
3RV2011-0KA10	1,25	16	0,9 - 1,25	SPRING-L.
3RV2011-1JA20	10	130	7 - 10	SPRING-L.
3RV2011-1KA20	12,5	163	9 - 12,5	SPRING-L.
3RV2021-4AA20	16	208	11 - 16	SPRING-L.
3RV2021-4CA20	22	286	17 - 22	SPRING-L.



ABB Breaker

NO = Normaly Open
NF = Normaly closed

Ordering Reference	Type	Number of poles	Rated Current on 400 Volts	Cross-section of conductors Cu	Rated breaking capacity ultimate Icu kA acc. to IEC/EN 60947-2
0351406H42	S204-C32	4	32	25MM ²	10
0351406H44	S803S-C80	3	80	50MM ² STANDARD 70MM ² FLEXIBLE	50
0351406X40	S203-C63	3	63	25MM ²	10
--CW--12XC-002--EE	CAL16-11C	1 NO / 1 NC	INSTANTANIOUS NO NC CONTACT	-	-
--CW--12XL-001--EE	CA5 01	1 NF	-	-	-
--CW--12XL-010--EE	CA5 10	1 NO	-	-	-
--CW--12XL-901--EE	CC5-01	1 NC	DEFERRED NC CONTACT	-	-
--CY--12AK-305--EE	OZ XK12	1 NO / 1 NC	-	-	-
--CY--12AK-405--EE	OZ XK2	2 NO / 2 NC	-	-	-

CARRIER

Fuses

Ordering Reference	Rated current (A)	Diameter x Height
--FA--12AA-012--EE	0,1	5 X 20
--FA--12AA-015--EE	0,2	5 X 20
--FA--12AA-022--EE	1	5 X 20
FUSE010	1	5X20
--FA--12AA-025--EE	1,6	5 X 20
--FA--12DA-015--EE	2	/ X 18,54
--FA--12AA-005--EE	2	5 X 20
--FA--12AA-026--EE	2,5	5 X 20
--FA--12AA-002--EE	4	5X20
000000000006110282	5	6,3 X 32
--FA--12AA-028--EE	6,3	5 X 20
--FA--12AA-003--EE	8	5X20
A205643	12	14X51
--FB--12AM-020--EE	20	10X38
N205655/R214122J	50	22X58
--FA--12AA-001--EE		

For other codes, please consult us

SCHNEIDER

Fuses

Ordering Reference	Rated current (A)	Diameter x Height
FUSE060	6	5X20
FUSE080	8	5X20
FUSE10A	10	5X20



SIEMENS

Cylindrical fuses

Below given values are issued from SIEMENS catalog, they are absolutely not the values which are used to select the components in CARRIER units

Ordering Reference	Rated current (A)	Diameter x Height
3NW7013	32	10X38
3NW6117-1	40	14X51
3NW6120-1	50	14X51
3NW6110-1	25	14X51
3NW6112-1	32	14X51



SIEMENS

Link fuses

Below given values are issue from SIEMENS catalog - they are absolutely not the values witch are used to select components in CARRIER units

Ordering Reference	Rated current (A)	Size
3NA3136	160	T1
3NA3140	200	T1
3NA3142	224	T1
3NA3144	250	T1
3NA3244	250	T2
3NA3252	315	T2
3NA3254	355	T2
3NA3260	400	T2
3NA3352	315	T3
3NA3365	500	T3
3NA3372	630	T3
3NA3810	25	T000
3NA3812	32	T000
3NA3814	35	T000
3NA3817	40	T000
3NA3820	50	T000
3NA3822	63	T000
3NA3824	80	T00
3NA3830	100	T000
3NA3832	125	T00
3NA3832-8	125	T000
3NA3836	160	T00
3NA6130	100	T1
3ND1836	160	T00
3ND2122	63	T1
3ND2130	100	T1
3ND2132	125	T1
3ND2254	355	T2
3NE3335	560	T2
--FA--12BJ-125--EE	125	T00

For other codes, please consult us



SIEMENS

Fuses switch disconnector

Below given values are issue from SIEMENS catalog - they are absolutely not the values witch are used to select components in CARRIER units

Ordering Reference	Rated current (A)	NH fuse links	Mounting
3NP1123-1CA20	160A	T000	FLOOR MOUNTING
3NP1123-1BB20	160A	T000	FOR 40MM BUSBAR SYSTEM
3NP1123-1BC20	160A	T000	FOR 60MM BUSBAR SYSTEM



SIEMENS

Switch disconnectors without fuse

Below given values are issued from SIEMENS catalog, they are absolutely not the values witch are used to select the components in CARRIER units

Ordering Reference	Rated current (A)	Size	Switch Reference	Shaft Reference	Standard handle Reference	Unlocking handle Reference
3KA7113-3AC00	63A	1	3KA7113-3AA00	3KX7116-2AD00	3KX7112-2AA00	18234
3KA7114-3AC00	80A	2	3KA7114-3AA00	3KX7116-2AD00	3KX7112-2AA00	18235
3KA7115-3AC00	100A	3	3KA7115-3AA00	3KX7116-2AD00	3KX7112-2AA00	18236
3KA7116-3AC00	125A	4	3KA7116-3AA00	3KX7116-2AD00	3KX7112-2AA00	18237
3KA7121-3AC00	160A	2	3KA7121-3AA00	3KX7116-2AD00	3KX7112-2AA00	18234
3KA7122-3AC00	200A	2	3KA7122-3AA00	3KX7116-2AD00	3KX7112-2AA00	18235
3KA7123-3AC00	250A	2	3KA7123-3AA00	3KX7116-2AD00	3KX7112-2AA00	18236
3KA7131-3AC00	315A	3	3KA7131-3AA00	3KX7116-5AD00	3KX7112-4AA00	18237
3KA7132-3AC00	400A	3	3KA7132-3AA00	3KX7116-5AD00	3KX7112-4AA00	18238
3KA7141-3AC00	630A	4	3KA7141-3AA00	3KX7116-5AD00	3KX7112-4AA00	18236
3KA7141-3AC00	630A	4	3KA7141-3AA00	3KX7116-5AD00	3KX7112-4AA00	18237
3KA7151-3AC00	800A	5	3KA7151-3AA00	3KX7116-5AD00	3KX7112-5AA00	18238
3KA7152-3AC00	1000A	5	3KA7152-3AA00	3KX7116-5AD00	3KX7112-5AA00	18239
3LD2213-0TK51	32	-	-	-	3LD9224-1B	-
3LD2514-0TK51	63	-	-	-	3LD9284-1B	-

The ordering references ending by -AC00 are no longer available
To order a complete switch disconnecter please select the 3 references :

- switch
 - shaft
 - standard handle reference
(except for 3LD2213-0TK51 & 3LD2514-0TK51)
- The references can also be ordered individually



SIEMENS

Switch disconnectors with fuse

Below given values are issued from SIEMENS catalog, they are absolutely not the values witch are used to select the components in CARRIER units

Ordering Reference	Rated current (A)	Size	Switch Reference	Shaft Reference	Standard handle Reference	Unlocking handle Reference	NH fuse size
3KA7132-3AC00	250A	3	3KL7132-3AA00	3KX7116-5AD00	3KX7112-4AA00	18242	T1
3KL5530-1AB01	250A	/	/	DELIVERED WITH THE HANDLE	8UC7313-1BB30	-	-
3KL7111-3AC00	32A	1	3KL7111-3AA00	3KX7116-2AD00	3KX7112-2AA00	18234	T000
3KL7112-3AC00	45A	1	3KL7112-3AA00	3KX7116-2AD00	3KX7112-2AA00	18235	T000
3KL7113-3AC00	63A	1	3KL7113-3AA00	3KX7116-2AD00	3KX7112-2AA00	18236	T000
3KL7114-3AC00	80A	1	3KL7114-3AA00	3KX7116-2AD00	3KX7112-2AA00	18237	T000
3KL7121-3AC00	100A	2	3KL7121-3AA00	3KX7116-2AD00	3KX7112-2AA00	18238	T00
3KL7122-3AC00	125A	2	3KL7122-3AA00	3KX7116-2AD00	3KX7112-2AA00	18239	T00 / T0
3KL7123-3AC00	160A	2	3KL7123-3AA00	3KX7116-2AD00	3KX7112-2AA00	18240	T00 / T0
3KL7131-3AC00	200A	3	3KL7131-3AA00	3KX7116-5AD00	3KX7112-4AA00	18241	T1
3KL7141-3AC00	315A	4	3KL7141-3AA00	3KX7116-5AD00	3KX7112-4AA00	18236	T2
3KL7142-3AC00	400A	4	3KL7142-3AA00	3KX7116-5AD00	3KX7112-4AA00	18237	T2
3KL7151-3AC00	630A	5	3KL7151-3AA00	3KX7116-5AD00	3KX7112-5AA00	18238	T3

The ordering references ending by -AC00 are no longer available
To order a complete switch disconnecter please select the 3 references :

- switch
- shaft
- standard handle

(except for 3KL5530-1AB01)

The references can also be ordered individually



SCHNEIDER

Switch disconnectors without fuse

Below given values are issued from Schneider catalog, they are absolutely not the values witch are used to select the components in CARRIER units

Ordering Reference	Rated current (A)	Voltage (V)	Number of poles	Width (m)	Height (m)	Depth (m)
00000000000028908	100	690	3	135	100	45
00000000000028910	125	690	3	135	100	45
00000000000028912	160	690	3	135	100	45
00000000000031102	200	690	3	14	136	86



SCHNEIDER

Handle for Switch disconnectors without fuse

Below given values are issued from Schneider catalog, they are absolutely not the values witch are used to select the components in CARRIER units

Ordering Reference	Switch type	Description
00000000000028941	INS40 - 160	PROLONGED FRONT CONTROL HANDLE
00000000000028962	INS40 - 161	ROTARY CONTROL HANDLE



ABB

Switch disconnectors without fuse

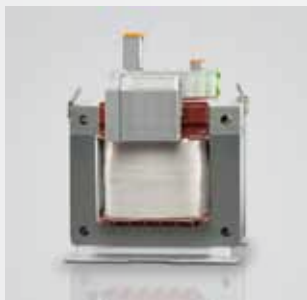
Ordering reference	Type	Rated current (A)	Cable cross section	Section Type	Screw Diameter (for plage)
0351406H59	OT80F3	80	1.5...35 MM ²	CAGE	-
1SCA022718R8510	OT315E03P	315	NA	PLAGE	M10X30
--CY--12AK-150--EE	OT125A3	125	10...70 MM ²	CAGE	-
--CY--12AK-152--EE	OT200E03P	200	-	PLAGE	M8X25
--CY--12AK-153--EE	OT250E03P	250	-	PLAGE	M8X25
--CY--12AK-155--EE	OT400E03P	400	-	PLAGE	M10X30
--CY--12AK-156--EE	OT630E03P	630	-	PLAGE	M12X40

ABB

Switch disconnectors accessories



Ordering reference	Type	Square dimension (mm)	Lenght (mm)	Color
--CY--12AK-206--EE	OHB65J6	6	65	BLACK
--CY--12AK-280--EE	OSP6X210	6	210	-
--CY--12AK-208--EE	OHY125J12	12	125	YELLOW RED



SIEMENS

Voltage transformers

Below given values are issued from SIEMENS catalog, they are absolutely not the values witch are used to select the components in CARRIER units

Ordering Reference	Power (VA)	Primary / secondary(ies) voltage
4AM4342-5AN00-0EA1	400VA	690/115V
4AM46425MK1010-0F0	315VA	400/24V
TAM3496-0BR50-0EN1	100VA	400/24V
TAM3496-0BY00-0EN1	120VA	400/24V
TAM3496-0EL10-0EN1	120VA	400/24V
TAM3496-0EL70-0EN1	60VA	400/24V SEB
TAM3496-0FS30-0EN1	120VA	400/24V
TAM3896-0BQ60-0EN1	180VA	400/230-24V
TAM3896-0BQ70-0EN1	180VA	400/115-24V
TAM3896-0BS80-0EN1	180VA	460/230-24V
TAM3896-0EB40-0EN1	180VA	400/115-24V
TAM3896-0ED70-0EN1	150VA	400/24V
TAM4096-0EC10-0EN1	225VA	400/230-24V
TAM4096-0EV00-0EN1	180VA	400/115-24V
TAM4396-0EH20-0FN1	315VA	690/115-24V
TAM4396-0EH70-0EN1	324VA	400/230-24V
TAM4396-0EM10-0EN1	230VA	400/230-24V
TAM4696-0EJ30-0FN1	380VA	400/115-24V
TAM4696-0EN30-0FN1	380VA	380-460/115-24V
TAM4696-0ER50-0EN1	325VA	400/115-24V
TAM8096-0BD00-0EN1	50VA	400/24V
TAM8196-0AX40-0EN1	315VA	400/115-24V
TAM8196-0BA30-0EN1	315VA	460/115-24V

ISME

Transformers

Ordering Reference	Power (Volt Ampere)	Primary / secondary(ies) voltage
0351901H44	7	230V/12V
0351901H50	7	230V/12V
0351901X41	7	230V/12V
0351901X43	7	230V/12V
0351901X46	7	230V/12V
0351901X29	15	230V/24V



SCHNEIDER

Transformers

Below given values are issued from Schneider catalog, they are absolutely not the values witch are used to select the components in CARRIER units

Ordering Reference	Power (Volt Ampere)	Primary / secondary(ies) voltage	Size
ABL6TS16B	160	230-400V / 24V	106 X 109 X 80
ABL6TS25B	250	230-400V / 24V	120 X 122 X 85
TSM30038	185	400VAC / 24VAC	110X135X180
TSM29146	215	400VAC / 24VAC	110X140X180
TSM29147	255	400 VAC / 24VAC	110X150X180
00PSG001283300D	630	6600V / 400V	-



SIEMENS

3 - Phases busbars

Electrical Parts

Ordering Reference	Mm ²
3RV1915-1AB	45MM FOR 2 CIRCUIT-BREAKERS
3RV1915-1BB	45MM FOR 3 CIRCUIT-BREAKERS
3RV1915-1CB	45MM FOR 4 CIRCUIT-BREAKERS
3RV1915-1DB	45MM FOR 5 CIRCUIT-BREAKERS

For other codes, please consult us



SIEMENS

Thermal overload relays

Below given values are issued from SIEMENS catalog, they are absolutely not the values which are used to select the components in CARRIER units

Ordering Reference	Setting range (A)
3RU1116-0KB0	0,90 - 1,25
3RU1116-1CB0	1,80 - 2,50
3RU1116-1CC1	1,80 - 2,50
3RU1116-1EB0	2,80 - 4
3RU1116-1FC1	3,50 - 5
3RU1116-1GB0	4,50 - 6,30
3RU1116-1GC1	4,50 - 6,30
3RU1116-1HB0	5,50 - 8
3RU1116-1HC1	5,50 - 8
3RU1116-1JB0	7-10
3RU1126-4AB0	11 - 16
3RU1126-4CB0	17 - 22
3RU1136-4EB0	22 - 32
3RU1136-4FB0	28 - 40
3RU1126-4DB0	20 - 25



SIEMENS

Relays

Ordering Reference	Type	Voltage (VAC)
3RP1525-1AP30	TIMING RELAY 1 CO	24/200-240 V AC
3RS1800-2AP00	COUPLING RELAY 1 CO	24V AC/DC 220-240V AC
3RT1926-2CG11	TIMING RELAY BLOCK	24-66V AC/DC
3TX7005-1LB00	COUPLING RELAY	24V
3UG4511-1AP20	VOLTAGE CONTROL	320-500V
3UG4511-2AP20	VOLTAGE CONTROL	320-500V

For other codes, please consult us

www.carrier-ercd.com



TELEMECANIQUE

Thermal overload relays

Manual reset

Maximum current on auxiliary contact = 10A

Ordering Reference	Setting range (A)
--OL--12TV-018--EC	12 - 18
--OL--12TV-021--EC	16 - 24
--OL--12TV-028--EC	23 - 32
--OL--12TV-031--EC	30 - 38
--OL--12TV-044--EC	37 - 50



ABB

Thermal overload relays

Manual reset.

Maximum current on auxiliary contact = 10A

Ordering Reference	Setting range (A)
--OL--12TY-025--EE	18 - 25
--OL--12TY-032--EE	24 - 32
--OL--12TY-042--EE	29 - 42



ABB Relays

Ordering Reference	Type	Coil voltage/frequency	Auxiliary contact	Terminal
K31-E	N31E	48V / 50HZ	3 NO / 1 NC	SCREW
--OK--00TL-122--EE	N22E	220V / 50HZ	2 NO / 2 NC	SCREW
--OK--12TL-031--EE	N31E	220V / 50HZ	3 NO / 1 NC	SCREW
--OK--12TL-040--EE	N40E	230V / 50HZ	4 NO / 0 NC	SCREW
--OK--12TL-044--EE	N44E	220V / 50HZ	4 NO / 4 NC	SCREW
--OK--12TL-622--EE	N22E	24V / 50HZ	2 NO / 2 NC	SCREW



ABB Mini relays

Ordering Reference	Type	Coil voltage/frequency	Auxiliary contact	Terminal
--OK--12SW-103--EE	K6-31Z-01	24 V AC / 40...450	3 NO / 1 NC	SCREW
--OK--12SW-225--EA	K6-22Z-80	230 V AC / 40...450	2 NO / 2 NC	SCREW



SCHNEIDER

Thermal relays

Orderin Reference	Thermal current	Contact Type	Coil voltage/frequency
RSB2A080B7	8 (A)	2NO / 2NF	24 V AC
--OK--12AC-044--EE	10 (A)	2NO / 2NF	28 V DC



CROUZET

Time delay relays

Temperature range: -30°C to +60°C

Ordering Reference	Maximum current at 20°C (A)	Temporizing setting	Voltage (V)
--OJ--12MC-003--EE	0,2	5MIN30S	220V
--OJ--12MA-004--EE	0,7	0,75S	220V



FINDER

Relays

Ordering Reference	Auxiliary contact	Nominal current/ Max current (A)	Nominal voltage/ Max voltage	Nominal load AC1 (VA)	Nominal load AC15 (230 V AC) (VA)	Power engine single phased (230 V AC) kW	Breaking DC1: 30/110/220 (VA)	Minimum switching load	Coil: voltage (Un) (V AC (50/60Hz))	Coil: voltage (Un) (V DC)	Coil: setting range AC/DC
0351801X83	1 NO / 1NC	20/40	250/400	5000	1000	1,1	20/0,8/0,5	1000 (10/10)	6-12-24-48-60-110-120-230-240-400	6-12-24-48-60-110-125-220	(0,8...1,1)UN - (0,85...1,1UN)
0351802X47	3 CONTACTS	16/30	250/400	4000	750	0,8/1,5	16/0,6/0,4	1000 (10/10)	6-12-24-48-60-110-120-230-240-400	6-12-24-48-60-110-125-220	(0,8...1,1)UN - (0,8...1,1UN)
0351804H56	2 CONTACTS	10/20	250/400	2500	500	0,37	10/0,25/0,12	300 (5/5)	6-12-24-48-60-110-120-230-240	6-12-24-48-60-110-125-220	(0,8...1,1)UN - (0,8...1,1UN)
0351804H58	4 CONTACTS	7/15	250/250	1750	350	0,125	7/0,25/0,12	300 (5/5)	6-12-24-48-60-110-120-230-240	6-12-24-48-60-110-125-220	(0,8...1,1)UN - (0,8...1,1UN)



CARRIER

Plastic case capacitors

Ordering Reference	Capacity (μF)	Figure	Voltage (V)	Diameter size x length (mm)
0353101X68	1	1	450	25X51
0353101H59	1	2	450	28X55
0353101X30	1,5	1	450	25X51
0353101H20	1,5	2	450	28X55
0353101X31	2	1	450	25X51
0353101X44	2	1	500	30X63
0353101H25	2	2	450	28X55
0353101H72	2	4	450	28X55
0353101X32	2,5	1	450	25X51
0353101H21	2,5	2	450	28X55
0353101X73	2,5	4	450	28X55
0353101X04	3	1	450	30X51
0353101H34	3	2	450	28X55
0353101H93	3	3	450	30X51
0353101X87	3	4	450	28X55
0353101H05	4	1	450	30X51
0353101H19	4	2	450	28X55
0353101H07	5	1	450	30X71
0353101H53	5	2	450	30X71
0353101H94	5	3	450	30X71



Fig. 1



Fig. 2



Fig. 3

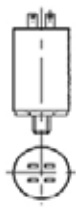


Fig. 4

For other codes, please consult us



CARRIER

Plastic case capacitors

Ordering Reference	Capacity (μF)	Figure	Voltage (V)	Diameter size x length (mm)
0353101X51	6	1	450	30X71
0353101X74	8	2	280	30X71
0353101X52	9	1	450	35X71
0353101X56	10	2	280	30X71
0353101X78	10	4	450	35X71
0353101H17	16	1	450	40X71
0353101X11	20	1	450	45X71
0353101X63	20	4	450	40X92
0353101X12	25	1	450	45X91
0353101X65	25	2	450	45X128
0353101X62	25	4	450	45X92
0353101X13	30	1	450	45X91
0353101X64	30	2	450	45X128
0353101X76	30	4	450	45X92
0353101X14	35	1	450	55X128
0353101X80	35	2	450	55X128
0353101X16	40	1	450	55X128
0353101X89	40	2	450	55X128
0353101X50	45	1	450	55X128
0353101H86	45	2	450	55X128



Fig. 1



Fig. 2



Fig. 3



Fig. 4



CARRIER

Aluminium case capacitors

Ordering Reference	Capacity (μF)	Figure	Voltage (V)	Diameter size x length (mm)
0353102X08	1,5	2	450	30X63
0353102X14	2	2	450	30X63
0353102X09	2,5	1	450	30X63
0353102X07	2,5	2	450	30X63
0353102X02	4	2	450	30X63
0353102H04	5	2	450	30X78
0353102H19	7,5	2	450	35X78
0353102H20	10	2	450	35X78
0353102X13	15	2	450	35X103
0353102X06	16	2	450	40X103
0353102X03	50	2	450	55X128
0353102X15	50	2	450	55X128
0353102H21	55	2	450	35X78
0353102X18	60	2	450	55X122



Fig. 1



Fig. 2



Fig. 3

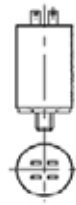


Fig. 4

For other codes, please consult us



CARRIER

Plastic case capacitors

Ordering Reference	Capacity (µF)	Figure	Voltage (V)	Diameter size x length (mm)
0353103H03	1,5	3	450	25X51
0353103H04	2	3	450	25X51
0353103H05	2,50	3	450	25X51
0353103H17	3,5	2	450	30X51
0353103H26	3,5	4	450	30X51
0353103H12	4	3	450	30X51
0353103X15	4	4	450	30X51
0353103H22	4,50	2	450	30X56
0353103H25	5	4	450	30X71
0353103H09	6,3	3	450	30X71
0353103X18	7,00	4	400	32X55
0353103X19	8,00	4	400	32X55
0353103H10	10,00	3	450	35X71
0353103X20	10,00	4	400	30X70



Fig. 1



Fig. 2



Fig. 3



Fig. 4



CARRIER

Capacitors

Ordering Reference	Capacity (μF)	Type	Voltage (V)	Height x diameter size (mm)
---P-291--3553--S	2	SINGLE	370	-
---P-291--0304--S	4	SINGLE	370	-
---P-291--2504--S	4	SINGLE	400	63 X 30
---P-291--0404--S	5	SINGLE	370	-
---P-291--0503R-S	5	SINGLE	370	-
PMF630ALVCS635SM8	6	SINGLE	400	/ X 40
---P-291--0504--S	7.5	SINGLE	370	-
---P-291--0753--S	10	SINGLE	370	-
---P-291--0754--S	10	SINGLE	370	-
PMF1000ALVCS6-35S	10	SINGLE	400	/ X 45
---P-291--1003--S	15	SINGLE	370	-
---P-291--1004--S	25	SINGLE	370	-
---P-291--1503--S	25	SINGLE	370	-
---P-291--2503--S	25 + 5	DUAL	370	-
---P-291--2553--S	35 + 5	DUAL	370	-

For other codes, please consult us

SEDES

Crankcase heater

Ordering Reference	Power (Watt)	Voltage (V)	Total length (mm)	Maximum working temperature (°C)
0351501H54	19 (-0+20%)	240	2565	180
0351501H59	19 (-0+20%)	240	2165	180
0351501H44	25 (+/-10%)	240	2650	180
0351501H50	25 (+/-10%)	240	4850	180
0351501H60	25 (+/-10%)	240	2450	180
0351501H65	28 (+/-10%)	240	2430	180
0351501H66	35 (+/-10%)	240	2950	180



HONEYWELL

Actuators

Ordering Reference	Rotation angle	Contactors	Torque (Nm)	Security function	Modulating 230V	Modulating 24V	Running time (Min)	Open-close 230V	Open-close 24V
--OP--120B-002--EE	LINEAR ACTION 8MM	NO	90	STEM RETRACT WITHOUT POWER	NO	NO	3,5	YES	NO
OP120B004EE	LINEAR ACTION 8MM	NO	90	STEM RETRACT WITHOUT POWER	-	-	6	NO	YES

SERVOMOTORS



Surface m ² registre	Sans fonction de sécurité	Avec fonction de sécurité (ressort de rappel)
< 0,4		TF
< 0,8		LF
< 1	LM	
< 2	NM	
< 4	SM	
< 8	GM	
< 3		AF



SELECTION DES SERVOMOTEURS ET ACCESSOIRES

	Couple		TOR 24V	TOR 230V	Proportionnel 24V	Proportionnel 230V
Sans fonction de sécurité	5 Nm	sans contact	LM 24A	LM 230A	LM 24A SR	LM 230A SR
		avec 1 contact	LM 24A+S1A	LM 230A+S1A	LM 24A SR+S1A	LM 230A SR+S1A
		avec 2 contacts	LM 24A+S2A	LM 230A+S2A	LM 24A SR+S2A	LM 230A SR+S2A
	10 Nm	sans contact	NM 24A	NM 230A	NM 24A SR	NM 230A SR
		avec 1 contact	NM 24A+S1A	NM 230A+S1A	NM 24A SR+S1A	NM 230A SR+S1A
		avec 2 contacts	NM 24A+S2A	NM 230A+S2A	NM 24A SR+S2A	NM 230A SR+S2A
	20 Nm	sans contact	SM 24A	SM 230A	SM 24A SR	SM 230A SR
		avec 1 contact	SM 24A+S1A	SM 230A+S1A	SM 24A SR+S1A	SM 230A SR+S1A
		avec 2 contacts	SM 24A+S2A	SM 230A+S2A	SM 24A SR+S2A	SM 230A SR+S2A
	40 Nm	sans contact	GM 24A	GM 230A	GM 24A SR	X
		avec 1 contact	GM 24A+S1A	GM 230A+S1A	GM 24A SR+S1A	X
		avec 2 contacts	GM 24A+S2A	GM 230A+S2A	GM 24A SR+S2A	X
Avec fonction de sécurité (ressort de rappel)	2 Nm	sans contact	TF 24	TF 230	TF 24 SR	X
		avec 1 contact	TF 24 S	TF 230 S	X	X
	4 Nm	sans contact	LF 24	LF 230	LF 24 SR	X
		avec 1 contact	LF 24 S	LF 230 S	X	X
	15 Nm	sans contact	AF 24	AF 230	AF 24 SR	X
		avec 1 contact	AFR 24 S	AFR 230 S	X	X
		avec 2 contacts	AF 24 S	AF 230 S	AF 24 SR S	X

X = N'existe pas

Reference	Reference
LM24A	TF24
LM230A	TF24-S
LM24A-SR	TF230
LM230ASR	TF230-S
NM24A	TF24-SR
NM230A	LF24
NM24A-SR	LF24-S
SM24A	LF230
SM230A	LF230-S
SM24A-SR	LF24-SR
SM230ASR	AF24
GM24A	AFR24-S
GM230A	AF24-S
GM24A-SR	AF230
S1A	AFR230-S
S2A	AF230-S
	AF24-SR
	AF24-SR-S

SERVOMOTEUR VANNE D'AIR NEUF		
Réf Carrier	Diamètre 125mm	Diamètre 160mm
OP-12NA-055—EE	X	
OP-12NA-056—EE		X

For other codes, please consult us

www.carrier-ercd.com



BELIMO

Damper actuator

Ordering Reference	Rotation angle	Contactor	Torque	Security function	Modulating 230V	Modulating 24V	Running Time	Open-Close 230V	Open-Close 24V
GM230A	95°	OPTION	40NM	NON	X	X	150 SEC.	OUI	X
GM24A	95°	OPTION	40NM	NON	X	X	150 SEC.	X	OUI
GM24A-SR	95°	OPTION	40NM	NON	X	OUI	150 SEC.	X	X
LM230A	95°	OPTION	5 NM	NON	X	X	150 SEC.	OUI	X
LM230ASR	95°	OPTION	5 NM	NON	OUI	X	150 SEC.	X	X
LM24A	95°	OPTION	5 NM	NON	X	X	150 SEC.	X	OUI
LM24A-SR	95°	OPTION	5 NM	NON	X	OUI	150 SEC.	X	X
NM230A	95°	OPTION	10NM	NON	X	X	150 SEC.	OUI	X
NM24A	95°	OPTION	10NM	NON	X	X	150 SEC.	X	OUI
NM24A-SR	95°	OPTION	10NM	NON	X	OUI	150 SEC.	X	X
SM230A	95°	OPTION	20NM	NON	X	X	150 SEC.	OUI	X
SM230ASR	95°	OPTION	20NM	NON	OUI	X	150 SEC.	X	X
SM24A	95°	OPTION	20NM	NON	X	X	150 SEC.	X	OUI
SM24A-SR	95°	OPTION	20NM	NON	X	OUI	150 SEC.	X	X



BELIMO

Spring return actuator

Ordering Reference	Rotation angle	Contactors	Torque	Security function	Modulating 230V	Modulating 24V	Running Time	Open-Close 230V	Open-Close 24V
AF230	95°	X	15NM	OUI	X	X	150 SEC.	OUI	X
AF230-S	95°	2	15NM	OUI	X	X	150 SEC.	OUI	X
AF24	95°	X	15NM	OUI	X	X	150 SEC.	X	OUI
AF24-S	95°	2	15NM	OUI	X	X	150 SEC.	X	OUI
AF24-SR	95°	0	15NM	OUI	X	OUI	150 SEC.	X	X
AF24-SR-S	95°	2	15NM	OUI	X	OUI	150 SEC.	X	X
AFR230-S	95°	1	15NM	OUI	X	X	150 SEC.	OUI	X
AFR24-S	95°	1	15NM	OUI	X	X	150 SEC.	X	OUI
LF230	95°	X	4NM	OUI	X	X	40 - 75 SEC.	OUI	X
LF230-S	95°	1	4NM	OUI	X	X	40 - 75 SEC.	OUI	X
LF24	95°	X	4NM	OUI	X	X	40 - 75 SEC.	X	OUI
LF24-S	95°	1	4NM	OUI	X	X	40 - 75 SEC.	X	OUI
LF24-SR	95°	X	4NM	OUI	X	OUI	150 SEC.	X	X
TF230	95°	X	2NM	OUI	X	X	<75 SEC.	OUI	X
TF230-S	95°	1	2NM	OUI	X	X	<75 SEC.	OUI	X
TF24	95°	X	2NM	OUI	X	X	<75 SEC.	X	OUI
TF24-S	95°	1	2NM	OUI	X	X	<75 SEC.	X	OUI
TF24-SR	95°	X	2NM	OUI	X	OUI	<75 SEC.	X	X



CARRIER

Flotronic 1 Control

Unloaded cards need Carrier Service intervention

Ordering Reference	Description
30GB-509---152--C	HEATER
32GB-500---034--C	RELAY BOARD / CARTE RELAIS RB
32GB-500---044--S	DISPLAY BOARD
32GB-500---254--S	SET POINT BOARD SPB
32GB-500---734--C	EXV BOOSTER BOARD
32GB-660---005--S	MICRO PROCESSOR BOARD MPB / CARTE MICROPROCESSEUR MPB
--DC--99RA-025--C	SENSOR COUPLING
--GB--12JC-016--EE	EXV BOOSTER BOARD TRANSFORMER
--GB--12KM-001--EE	TRANSFORMER 230V/24V
--HH--79NZ-013--C	CONTACT SENSOR
--HK--35AZ-001--C	ELECTRONIC BOARD
--HN--65KZ-027--C	COMPRESSOR PROTECTION SYSTEM CPCS
--HT--01BZ-230--S	TRANSFORMER 230/17-2X9V



CARRIER

Flotronic 2 control

Unloaded cards need Carrier Service intervention

Ordering Reference	Description
30GX-660---006--S	HSIO II HUMAN SENSOR I/O
30HT-512---392--EE	8 IN OPTION MODULE -CEM
CEC0120803-02	PSIO BATTERY
--FA--12AA-022--EE	FUSE
--GB--12JC-017--EE	4 IN X 4 OUT MODULE TRANSFORMER
--HK--35AA-002--C	TRANSDUCER POWER SUPPLY 5VDC
--HK--50AA-001--C	SENSOR MODULE
--HK--50AA-003--C	DSIO MODULE LV 24V
--HK--50AA-004--C	DSIO MODULE EXV DRIVER
--HK--50AA-006--C	MODULE 8 IN
--HK--50AA-007--S	8 OUT OPTION MODULE
--HK--50AA-008--C-	MODULE
--HK--50AA-014--S	COMMUNICATION MODULE
--HK--50AA-021--S	PROCESSOR UC203
--HK--50AA-029--S	MAIN BLANK BASE BOARD
--HK--50AA-031--S	SYNOPTIC
--HK--50AA-033--S	PSIO II MODULE
--HK--50AA-035--S	ELECTRONIC BOARD
--HK--50AA-039--S	ELECTRONIC BOARD
--HK--50RL-004--S	CARD
--HN--65CT-011--C	COMPRESSOR PROTECTION CONTROL BOARD
--HR--53ZK-001--S	SWITCH ON-OFF-CCN
--OK--12AC-025--EE	RELAY 19-24V DC
--OP--12KA-009--EE	STARTER GUARD AM
--WG--12KA-002--EE	SAFETY THERMOSTAT
--WG--12KA-003--EE	THERMOSTAT



CARRIER

Prodialog et Prodialog + (30H et 30G) Control

Unloaded cards need Carrier Service intervention

Unit main boards

Ordering Reference	Description
CEPL130085-01	CARTE PRINCIPALE (NON CHARGÉ)
--OP--12AS-015--EE	CARTE COMPRESSEUR
--OP--12KA-010--EE	CARTE PROTECTION COMPRESSEUR
--OP--12KA-008--EE	CARTE PROTECTION COMPRESSEUR
--HT--08DZ-026--S	TRANSFORMATEUR
--OP--12AS-004--E-	CARTE EXV
32GB-500---422--EE	CARTE EXV
--HN--65CT-011--C	CARTE GCP
--OP--12DA-039--EE	CAPTEUR PRESSION HP
--OP--12DA-040--EE	CAPTEUR PRESSION BP
--HH--79NZ-059--C	SONDE TEMPÉRATURE EAU

Synoptics

Ordering Reference	Description
--OP--12AS-008--EE	SYNOPTIQUE
--OP--12AS-010--EE	SYNOPTIQUE
--OP--12AS-011--EE	SYNOPTIQUE
--OP--12AS-012--EE	SYNOPTIQUE
--OP--12AS-018--EE	SYNOPTIQUE
--OP--12AS-014--EE	SYNOPTIQUE 30G 1 CKT
--OP--12AS-020--EE	SYNOPTIQUE 30H 2 CKT
--OP--12AS-019--EE	SYNOPTIQUE 30G 2 CKT

Unit electronic accessories

Ordering Reference	Description
--OP--12AS-005--E-	CARTE SONDE 4 AI X 2 AO
32GB-500---432--EE	CARTE AUXILIAIRE
32GB-500---442--EE	CARTE AUXILIAIRE
--OP--12AS-007--E-	CARTE COMMUNICATION (A CONFIGURER)
--OP--12AS-006--EE	CARTE REDRESSEUR EXV
32GB-660---012--S	KIT CABLE DETENDEUR EXV
--FA--12DA-015--EE	FUSIBLE
00PSGX01103800A	CARTE ICM
--CY--12RB-017--EE	INTERRUPTEUR M/A
--CY--12RB-018--EE	INTERRUPTEUR M/A
--CB--12DE-016--EE	FENÊTRE PLASTIQUE

For other codes, please consult us



CARRIER

Prodialog et Prodialog + (30H et 30G) Control

Unloaded cards need Carrier Service intervention

Ordering Reference	Description
30GT-409---069--C	TRANSDUCER CABLE
99CM-403---222--EE	TRANSDUCER CABLE 2500 MM
99CM-403---232--EE	TRANSDUCER CABLE 5000MM
99CM-403---242--EE	TRANSDUCER CABLE 6500 MM
99CM-403---252--EE	TRANSDUCER CABLE 12000 MM
99CM-403---632--EE	DGT CABLE 2500MM
99CM-403---642--EE	DGT CABLE 5000 MM
99CM-403---652--EE	DGT CABLE 6500 MM
99CM-403---662--EE	DGT CABLE 8000 MM
99CM-403---672--EE	DGT CABLE 12000 MM
--OP--12DA-057--E-	HP-BP TRANSDUCER



CARRIER

Prodialog + 4 Control

Unloaded cards need Carrier Service intervention

Ordering Reference	Description
32GB-500---062--EF	TIMER BOARD
32GB-500---082--EF	SYNOPTIC
32GB-500---092--EF	SYNOPTIC
32GB-500---102--EF	SYNOPTIC
32GB-500---112--EF	SYNOPTIC
32GB-500---122--EF	SYNOPTIC
32GB-500---132--EF	SYNOPTIC
32GB-500---182--EF	MAIN BOARD 30GX/HX
32GB-500---192--EF	EXV BOARD
32GB-500---372--EE	ELECTRONIC BOARD NRCP2 TO BE LOADED
32GB-500---402--EE	COMPRESSOR BOARD (TO BE LOADED)
32GB-500---472--EE	CONNECTOR



CARRIER

Prodialog Aquasnap (30RA/RH/RB/RQ) Control

Unloaded cards need Carrier Service intervention

Ordering Reference	Description
00PPG000030700A	LP TRANSDUCER
32GB-500---362--EF	COMPRESSOR PROTECTION BOARD
32GB-500---372--EE	NRCP2 BOARD
32GB-500---392--EE	LEI/JBUS BOARD
00PPG000030600A	HP TRANSDUCER
2XG22030--31AANK	SUCTION TEMPERATURE SENSOR A
2XG22045--32AANL	SUCTION TEMPERATURE SENSOR B
2XG22010--33AANK	SUCTION TEMPERATURE SENSOR C
2XG22055---2AANL	INLET WATER SENSOR
2XG22070---1AANL	OUTLET WATER SENSOR
E353X05028AGYABMA	SUCTION A TRANSDUCER CABLE
E353X05045BGYABMA	SUCTION B TRANSDUCER CABLE
E353X05038BGYABMA	SUCTION C TRANSDUCER CABLE
E353X05026ARDABMA	DISCHARGE A TRANSDUCER CABLE
E353X05055BRDABMA	DISCHARGE B TRANSDUCER CABLE
E353X05034CRDABMA	DISCHARGE C TRANSDUCER CABLE
00PSG000072300A	SYNOPTIC
00PSG000072400A	SYNOPTIC
00PSG000072500A	SYNOPTIC



CARRIER

Aquaforce Control

Unloaded cards need Carrier Service intervention

Ordering Reference	Description
32GB-500---382--EE	MAIN BOARD
00PPG000012000A	HP & OIL PRESSURE SWITCH
00PSG000281600A	SYNOPTIC
00PSG000469000A	TCPM REGULATION BOARD
00PPG000012100A	LP TRANSDUCER
32GB-500---422--EE	EXV BOARD
32GB-500---432--EE	AUXILIARY BOARD



SIEMENS

Electronic starters

Ordering Reference	CARRIER Units	Rated current 400 Volts for 40°C temperature	Power (kW)	Control voltage (V)
00000057090020007	-	24A	7,5	-
3RW3026-1BB04	RA/RH	25A	11	24
3RW3027-1BB04	RA/RH	32A	15	24
3RW3036-1BB04	RA/RH	38A	18,5	24
3RW3346-0EC34	-	80A	-	-
3RW4026-1BB04	RAB/RHB/30RW	24A	11	-
3RW4027-1BB04	RAB/RHB/30RW	32A	15	24
3RW4037-1BB04	30RB/RQ	63A	30	24

ELECTRONICS / SPEED VARIATORS



SIEMENS

Speed variators

Fan speed controller 192013-280 (6SE6-- with parameters for 6 poles motor) is used in following cases :

Option 28 with Option 15LS for 30RB/RQ

Option 28 without Option 119 for 30XA

Fan speed controller 192013-281 (6SE6-- with parameters for 8 poles motor) is used in following cases :

Option 28 without option 15LS for 30RB/RQ

Option 28 with option 119 for 30XA

Ordering Reference

192013.280

192013.281



MOTOR MASTER

Speed variators

Ordering Reference	Description
32LT-660---004--C	MOTOR MASTER 208/230V MONO
32LT-660---001--S	32LT SENSOR
32LT-660---005--C	MOTORMASTER 380/400V
32LT-660---006--S	MOTORMASTER 3 PHASES

ELECTRONICS / SPEED VARIATORS



VARIFAN

Speed variators

Ordering Reference	Capacity(Kw)	Application	Voltage (Volt)	Description
30GH-422---242--EE	1.5	PRODIALOG & PRODIALOG PLUS 30GH UNITS	400	-
30GH-422---532--EE	1.5	PRODIALOG & PRODIALOG PLUS 30GH UNITS	230	-
30GH-422---252--EE	1.5	FLOTRONIC I & II 30G/30H UNITS	400	-
--OP--12DA-039--EE	-	-	-	HP TRANSDUCER
-OP--12DA-040--EE	-	-	-	BP TRANSDUCER
--OP--12DA-057--E-	-	-	-	BP-HP TRANSDUCER

For other codes, please consult us



SCHNEIDER

Speed variators

Ordering Reference	Power (kW)	Maximal current 380V/460V (A)	Current 380V (A)	Current 480V (A)
ATV21HU15N4	1,5	3,7	3,2	2,5
ATV21HU22N4	2,2	5,1	4,6	3,6
ATV21HU30N4	3	7,2	6,2	4,9



CARRIER

Kit Aquasmart System Manager V3.0

Ordering Reference	Description
KIT33ASM-01-ONWALL	KIT ASM BACNET ON WALL MOUNTING
KIT33ASM-01-INWALL	KIT ASM BACNET IN WALL MOUNTING

These kits contain:

Touch Pilot: reference 00PSG001347700A

On wall electrical box: reference 00PSG001347800A or,

In wall electrical box: reference 00PSG001347900A

Power supply 230V/24DC : reference 00PSG001350000A

The references can be purchased individually



CARRIER

Kit Aquasmart System Manager V4.0 BACNET

Référence Carrier	Description
KITBACNET-ONWALL	KIT BACNET ON WALL MOUNTING
KITBACNET-INWALL	KIT BACNET IN WALL MOUNTING

These kits contain:

Touch Pilot : reference 00PSG001716900A

On wall electrical box : reference 00PSG001347800A or,

In wall electrical box : reference 00PSG001347900A

Transformateur 230V/24DC : reference 00PSG001350000A

The references can be purchased individually

CARRIER

SD memory card

Required for upgrade V2 to V3 and V3 to V4

Ordering Reference	Upgrade
00PSG001717100A	V2 to V3
00PSG001717200A	V3 to V4



CARRIER

Aquasmart System Manager

Ordering Reference	Description	Language
99QM-803DE-050--EE	AQUASMART SYSTEM MANAGER 32 TC'S VERSION	GERMAN
99QM-803DE-051--EE	AQUASMART SYSTEM MANAGER 64 TC'S VERSION	GERMAN
99QM-803DE-052--EE	AQUASMART SYSTEM MANAGER 128 TC'S VERSION	GERMAN
99QM-803GB-050--EE	AQUASMART SYSTEM MANAGER 32 TC'S VERSION	ENGLISH
99QM-803GB-051--EE	AQUASMART SYSTEM MANAGER 64 TC'S VERSION	ENGLISH
99QM-803GB-052--EE	AQUASMART SYSTEM MANAGER 128 TC'S VERSION	ENGLISH
99QM-803SP-050--EE	AQUASMART SYSTEM MANAGER 32 TC'S VERSION	SPANISH
99QM-803SP-051--EE	AQUASMART SYSTEM MANAGER 64 TC'S VERSION	SPANISH
99QM-803SP-052--EE	AQUASMART SYSTEM MANAGER 128 TC'S VERSION	SPANISH
99QM-803FI-050--EE	AQUASMART SYSTEM MANAGER 32 TC'S VERSION	FINNISH
99QM-803FI-051--EE	AQUASMART SYSTEM MANAGER 64 TC'S VERSION	FINNISH
99QM-803FI-052--EE	AQUASMART SYSTEM MANAGER 128 TC'S VERSION –	FINNISH
99QM-803FR-050--EE	AQUASMART SYSTEM MANAGER 32 TC'S VERSION	FRENCH
99QM-803FR-051--EE	AQUASMART SYSTEM MANAGER 64 TC'S VERSION	FRENCH
99QM-803FR-052--EE	AQUASMART SYSTEM MANAGER 128 TC'S VERSION –	FRENCH
99QM-803GR-050--EE	AQUASMART SYSTEM MANAGER 32 TC'S VERSION	GREECE
99QM-803GR-051--EE	AQUASMART SYSTEM MANAGER 64 TC'S VERSION	GREECE
99QM-803GR-052--EE	AQUASMART SYSTEM MANAGER 128 TC'S VERSION	GREECE
99QM-803NL-050--EE	AQUASMART SYSTEM MANAGER 32 TC'S VERSION	DEUTCH
99QM-803NL-051--EE	AQUASMART SYSTEM MANAGER 64 TC'S VERSION	DEUTCH
99QM-803NL-052--EE	AQUASMART SYSTEM MANAGER 128 TC'S VERSION	DEUTCH
99QM-803IT-050--EE	AQUASMART SYSTEM MANAGER 32 TC'S VERSION	ITALIAN
99QM-803IT-051--EE	AQUASMART SYSTEM MANAGER 64 TC'S VERSION	ITALIAN
99QM-803IT-052--EE	AQUASMART SYSTEM MANAGER 128 TC'S VERSION	ITALIAN
99QM-803PT-050--EE	AQUASMART SYSTEM MANAGER 32 TC'S VERSION	PORTUGUESE
99QM-803PT-051--EE	AQUASMART SYSTEM MANAGER 64 TC'S VERSION	PORTUGUESE
99QM-803PT-052--EE	AQUASMART SYSTEM MANAGER 128 TC'S VERSION	PORTUGUESE
99QM-803SE-050--EE	AQUASMART SYSTEM MANAGER 32 TC'S VERSION	SWEDISH
99QM-803SE-051--EE	AQUASMART SYSTEM MANAGER 64 TC'S VERSION	SWEDISH
99QM-803SE-052--EE	AQUASMART SYSTEM MANAGER 128 TC'S VERSION	SWEDISH

For other codes, please consult us

CARRIER

Electronic boards

Ordering Reference	Description
CES0110021-00	ELECTRONIC BOARD
CES0110053-00-S	ELECTRONIC BOARD
CES0110059-00-S	ELECTRONIC BOARD
CES0110060-00	ELECTRONIC BOARD
CES0110063-02-S	ELECTRONIC BOARD
CES0110065-01	ELECTRONIC BOARD
CES0121319-01	MODULE - STARTER
CES0110068-02	MODULE
CES0130045	DISPLAY BOARD
CES0110031-00	LOGIC ELECTRONIC BOARD

CARRIER

Communication electronic boards

Ordering Reference	Description
00PSG000119100A	CCN TO J-BUS GATEWAY (CCN TRANSLATOR)
00PSG000119200A	CCN TO BACNET GATEWAY (CCN TRANSLATOR)
00PSG000119300A	CCN TO LONTALK® GATEWAY (CCN TRANSLATOR)
00PSG000119400A	ENERGY MANAGEMENT MODULE EMM
00PSG000120000A	BOILER CONTROL BOARD
00PSG000456300B	CCN TO J-BUS GATEWAY + BASE
00PSG000596400A	SENSOR KIT FOR LEAD/LAG APPLICATION
00PSG001022800A	REMOTE USER INTERFACE HMI
00PSGX01103800A	HN67LM100C REPLACEMENT
30RA-900---092--EE	CCN/JBUS GATEWAY
30RA-900---102--EE	ADDITIONAL HEATING STAGES CONTROL BOARD
30RW-900---002--E-	PRO-DIALOG FAN CONTROL MODULE (SIO)
33CN-ETHER	CCN TO ETHERNET CONVERTER
33CNTRAN485	CCN TO BACNET GATEWAY + BASE
33CNTRANLON	CCN TO LON GATEWAY +BASE

For other codes, please consult us



CARRIER
SAE Flare Nuts

Ordering Reference	Connection size (inch)	Copper tube diameter size (inch)
--UA--12AA-101--EE	1/4	1/4
--UA--12AA-102--EE	3/8	3/8
--UA--12AA-105--EE	1/2	1/2
--UA--12AA-106--EE	5/8	5/8

BRASS FITTINGS / SAE FLARE REDUCING NUTS



CARRIER
SAE Flare reducing nuts

Ordering Reference	Piping diameter size (inch)	Connection size (inch)
--UA--12AA-110--EE	1/4	3/8 SAE FLARE
--UA--12AA-111--EE	1/4	1/2 SAE FLARE
--UA--12AA-112--EE	3/8	1/2 SAE FLARE
--UA--12AA-113--EE	3/8	5/8 SAE FLARE
--UA--12AA-114--EE	1/2	5/8 SAE FLARE
--UA--12AA-115--EE	1/2	3/4 SAE FLARE
--UA--12AA-116--EE	5/8	3/4 SAE FLARE



CARRIER

Coupling

Ordering Reference	Connection size (inch)	Type
--UA--12AB-002--EE	1/4 M-SAE FLARE / 1/4 F-NPT	MALE FLARE / FEMALE NPT
--UC--12AA-001--EE	1/4 NPT / 1/4 SAE FLARE	MALE NPT / MALE FLARE
--UC--12AA-002--EE	1/8 NPT / 1/4 SAE FLARE	MALE NPT / MALE FLARE
--UC--12AA-003--EE	1/8 NPT / 3/8 SAE FLARE	MALE NPT / MALE FLARE
--UC--12AA-004--EE	1/4 NPT / 3/8 SAE FLARE	MALE NPT / MALE FLARE
--UC--12AA-005--EE	1/4 NPT / 1/2 SAE FLARE	MALE NPT / MALE FLARE
--UC--12AA-007--EE	3/8 NPT / 1/4 SAE FLARE	MALE NPT / MALE FLARE
--UC--12AA-008--EE	3/8 NPT / 3/8 SAE FLARE	MALE NPT / MALE FLARE
--UC--12AA-009--EE	3/8 NPT / 1/2 SAE FLARE	MALE NPT / MALE FLARE
--UC--12AA-012--EE	1/2 NPT / 1/4 SAE FLARE	MALE NPT / MALE FLARE
--UC--12AA-013--EE	1/2 NPT / 3/8 SAE FLARE	MALE NPT / MALE FLARE
--UC--12AA-015--EE	1/2 NPT / 5/8 SAE FLARE	MALE NPT / MALE FLARE
--UC--12AA-019--EE	3/4 NPT / 5/8 SAE FLARE	MALE NPT / MALE FLARE
--UC--12AA-020--EE	3/4 NPT / 3/4 SAE FLARE	MALE NPT / MALE FLARE
--UC--12BB-001--EE	1/4	MALE FLARE / FEMALE TO SOLD
--UC--12BB-002--EE	3/8	MALE FLARE / FEMALE TO SOLD
--UC--12BB-003--EE	1/2	MALE FLARE / FEMALE TO SOLD
--UC--12BB-004--EE	5/8	MALE FLARE / FEMALE TO SOLD
--UC--12BB-005--EE	3/4	MALE FLARE / FEMALE TO SOLD
--UC--12BB-006--EE	1	MALE FLARE / FEMALE TO SOLD

For other codes, please consult us



CARRIER

90° Elbows

Ordering Reference	Connection size (inch)	Type
--UB--12AA-001--EE	1/8 NPT - 1/4 SAE FLARE	MALE NPT / MALE FLARE
--UB--12AA-002--EE	1/4 NPT - 1/4 SAE FLARE	MALE NPT / MALE FLARE
--UB--12AA-008--E-	3/8 NPT - 3/8 SAE FLARE	MALE NPT / MALE FLARE
--UB--12AA-009--EE	3/8 NPT - 1/2 SAE FLARE	MALE NPT / MALE FLARE



CARRIER

Tees

Ordering Reference	Connection size (inch)	Type
--UB--12BA-001--EE	1/4 M-FLARE / 1/8 M-NPT 1/4 M-FLARE	MALE FLARE / MALE NPT / MALE FLARE TEES
--UB--12BA-002--EE	1/4 M-FLARE / 1/4 M-NPT 1/4 M-FLARE	MALE FLARE / MALE NPT / MALE FLARE TEES
--UB--12BB-001--EE	1/4 M-FLARE	EQUAL TEES SAE FLARE
--UB--12BD-003--EE	1/4 M-SAE FLARE / 1/4 F-NPT / 1/4 M-SAE FLARE	MALE FLARE / FEMALE NPT / MALE FLARE TEES

For other codes, please consult us



CARRIER

Plugs

Ordering Reference	Connection size (inch)	Type
--UA--12BA-002--EE	3/8 M-FLARE	FEMALE SAE FLARE
--UA--12BA-001--EE	1/4 M-FLARE	FEMALE SAE FLARE
--UA--12BA-003--EE	1/2 M-FLARE	FEMALE SAE FLARE
--UA--12BA-004--EE	5/8 M-FLARE	FEMALE SAE FLARE
--UD--12AA-003--EE	1/8 M-NPT	MALE NPT



CARRIER
Copper seal caps

Ordering Reference	Connection size (inch)
--AH--12MB-002--EE	3/8
--AH--12MB-004--EE	5/8
--AH--12MB-005--EE	3/4

Brass Fittings

BRASS FITTINGS / COPPER GASKETS



CARRIER
Copper gaskets

Ordering Reference	Connection size (inch)
--AH--12MA-002--EE	3/8
--AH--12MA-004--EE	5/8
--AH--12MA-005--EE	3/4

For other codes, please consult us



CARRIER
Female to female

Ordering Reference	Connection size (inch)
--UG--12AA-010--EE	3/16
--UG--12AA-002--EE	5/16
--UG--12AA-009--EE	1/4
--UG--12AA-003--EE	3/8
--UG--12AA-004--EE	1/2
--UG--12AA-005--EE	5/8
--UG--12AA-011--EE	3/4
--UG--12AA-006--E-	7/8
--UG--12AA-007--E-	1-1/8
--UG--12AA-001--EE	1-3/8
--UG--12AA-008--EE	1-5/8
--UG--12AA-014--EE	2-5/8
--UG--12AA-013--EE	2-1/8
--UG--12AA-015--EE	3-1/8



CARRIER

Female to female reducing copper coupling

Ordering Reference	Connection size (inch)
--UG--12CA-025--EE	1/4 - 3/16
--UG--12CA-026--EE	5/16 - 1/4
--UG--12CA-027--EE	3/8 - 5/16
--UG--12CA-001--EE	3/8 - 1/4
--UG--12CA-029--EE	1/2 - 1/4
--UG--12CA-002--EE	1/2 - 3/8
--UG--12CA-028--EE	1/2 - 5/16
--UG--12CA-003--E-	5/8 - 3/8
--UG--12CA-004--EE	5/8 - 1/2
--UG--12CA-006--EE	3/4 - 1/2
--UG--12CA-007--EE	3/4 - 5/8
--UG--12CA-005--EE	3/4 - 3/8
--UG--12CA-010--EE	7/8 - 5/8
--UG--12CA-030--EE	7/8 - 3/8
--UG--12CA-011--EE	7/8 - 3/4
--UG--12CA-016--EE	1-1/8 - 1
--UG--12CA-012--EE	1-1/8 - 1/2
--UG--12CA-014--EE	1-1/8 - 3/4
--UG--12CA-013--EE	1-1/8 - 5/8
--UG--12CA-015--EE	1-1/8 - 7/8
--UG--12CA-018--EE	1-3/8 - 3/4
--UG--12CA-017--EE	1-3/8 - 5/8
--UG--12CA-019--EE	1-3/8 - 7/8
--UG--12CA-032--EE	1-5/8 - 1-1/8
--UG--12CA-031--EE	1-5/8 - 1-3/8
--UG--12CA-033--EE	1-5/8 - 5/8
--UG--12CA-021--E-	1-5/8 - 7/8
--UG--12CA-024--EE	2-1/8 - 1-5/8



CARRIER

Female to female reducing copper coupling

Ordering Reference	Connection size (inch)
--UG--12CA-022--EE	2-1/8 - 1-1/8
--UG--12CA-023--EE	2-1/8 - 1-3/8
--UG--12CA-034--EE	2-1/8 - 7/8
--UG--12CA-035--EE	2-1/8 - 5/8
--UG--12CA-036--EE	2-5/8 - 2-1/8
--UG--12CA-037--EE	2-5/8 - 1-5/8
--UG--12CA-038--EE	2-5/8 - 1-3/8
--UG--12CA-039--EE	2-5/8 - 1-1/8
--UG--12CA-040--EE	3-1/8 - 2-5/8
--UG--12CA-041--EE	3-1/8 - 2-1/8
--UG--12CA-042--EE	3-1/8 - 1-5/8



CARRIER

Male to female reducing copper coupling

Ordering Reference	Connection size (inch)
--UG--12BA-006--EE	3/8 - 1/4
--UG--12BA-007--EE	1/2 - 1/4
--UG--12BA-003--EE	1/2 - 3/8
--UG--12BA-004--EE	5/8 - 1/2
--UG--12BA-008--EE	5/8 - 3/8
--UG--12BA-010--EE	3/4 - 1/2
--UG--12BA-011--EE	3/4 - 3/8
--UG--12BA-009--EE	3/4 - 5/8
--UG--12BA-013--EE	7/8 - 1/2
--UG--12BA-012--EE	7/8 - 3/4
--UG--12BA-014--EE	7/8 - 3/8
--UG--12BA-005--EE	7/8 - 5/8
--UG--12BA-016--EE	1-1/8 - 1/2
--UG--12BA-015--EE	1-1/8 - 3/4
--UG--12BA-001--EE	1-1/8 - 5/8
--UG--12BA-002--E-	1-1/8 - 7/8
--UG--12BA-017--EE	1-3/8 - 1-1/8
--UG--12BA-019--EE	1-3/8 - 5/8
--UG--12BA-018--E-	1-3/8 - 7/8
--UG--12BA-021--EE	1-5/8 - 1-1/8
--UG--12BA-020--EE	1-5/8 - 1-3/8
--UG--12BA-023--EE	1-5/8 - 5/8
--UG--12BA-022--E-	1-5/8 - 7/8
--UG--12BA-026--E-	2-1/8 - 1-1/8
--UG--12BA-028--EE	2-1/8 - 5/8
--UG--12BA-027--EE	2-1/8 - 7/8
--UG--12BA-032--EE	2-5/8 - 1-1/8
--UG--12BA-031--EE	2-5/8 - 1-3/8
--UG--12BA-030--EE	2-5/8 - 1-5/8
--UG--12BA-029--EE	2-5/8 - 2-1/8
--UG--12BA-040--EE	3-1/8 - 1-3/8
--UG--12BA-035--EE	3-1/8 - 1-5/8
--UG--12BA-034--EE	3-1/8 - 2-1/8
--UG--12BA-033--EE	3-1/8 - 2-5/8



CARRIER

45° female to female copper elbows

Ordering Reference	Connection size (inch)
--UL--12BA-001--EE	3/16
--UL--12BA-002--EE	1/4
--UL--12BA-003--EE	5/16
--UL--12BA-004--EE	3/8
--UL--12BA-005--EE	1/2
--UL--12BA-007--EE	5/8
--UL--12BA-009--EE	3/4
--UL--12BA-010--EE	7/8
--UL--12BA-012--EE	1
--UL--12BA-013--EE	1-1/8
--UL--12BA-015--EE	2-1/8
--UL--12BA-016--EE	2-5/8
--UL--12BA-017--EE	1-3/8
--UL--12BA-019--EE	1-5/8
--UL--12BA-020--EE	3-1/8

COPPER FITTINGS / 45° MALE TO FEMALE COPPER ELBOWS



CARRIER

45° male to female copper elbows

Ordering Reference	Connection size (inch)
--UL--12FA-001--EE	3/8
--UL--12FA-002--EE	1/2
--UL--12FA-003--EE	5/8
--UL--12FA-004--EE	3/4
--UL--12FA-005--EE	7/8
--UL--12FA-006--EE	1-1/8
--UL--12FA-007--EE	1-3/8
--UL--12FA-008--EE	1-5/8
--UL--12FA-009--EE	2-1/8
--UL--12FA-010--EE	2-5/8
--UL--12FA-011--EE	3-1/8
--UL--12FA-012--EE	1/4

For other codes, please consult us

www.carrier-ercd.com



CARRIER

90° short radius female to female copper elbows

Copper Fittings

Ordering Reference	Connection size (inch)
--UL--12AA-001--EE	1/2
--UL--12AA-003--EE	3/8
--UL--12AA-004--EE	5/8
--UL--12AA-005--EE	3/4
--UL--12AA-006--EE	7/8
--UL--12AA-009--EE	1-1/8
--UL--12AA-010--EE	2-5/8
--UL--12AA-011--EE	1-3/8
--UL--12AA-012--EE	1-5/8
--UL--12AA-015--EE	3-1/8

COPPER FITTINGS / 90° SHORT RADIUS MALE TO FEMALE COPPER ELBOWS



CARRIER

90° short radius male to female copper elbows

Ordering Reference	Connection size (inch)
--DE--21BB-701--C-	2-1/8
--UL--12CA-002--EE	5/8
--UL--12CA-003--EE	7/8
--UL--12CA-005--EE	1-3/8
--UL--12CA-006--EE	1-5/8
--UL--12CA-009--E-	3-1/8
--UL--12CA-010--EE	3/4
--UL--12CA-013--EE	1/4
--UL--12CA-014--EE	3/8

For other codes, please consult us



CARRIER

90° long radius female to female copper elbows

Ordering Reference	Connection size (inch)
--UL--12AD-001--EE	5/16
--UL--12AD-002--EE	1/4
--UL--12AD-003--EE	7/16
--UL--12AD-004--EE	3/8
--UL--12AD-005--EE	1/2
--UL--12AD-006--EE	5/8
--UL--12AD-007--EE	3/4
--UL--12AD-008--EE	7/8
--UL--12AD-009--EE	1-1/8
--UL--12AD-010--E-	1-3/8
--UL--12AD-011--EE	1-5/8
--UL--12AD-012--EE	2-1/8
--UL--12AD-013--EE	2-5/8
--UL--12AD-014--EE	3-1/8

COPPER FITTINGS / 90° LONG RADIUS MALE TO FEMALE COPPER ELBOWS



CARRIER

90° long radius male to female copper elbows

Ordering Reference	Connection size (inch)
--UL--12EA-001--EE	1/4
--UL--12EA-002--EE	3/8
--UL--12EA-004--EE	1/2
--UL--12EA-006--EE	5/8
--UL--12EA-008--EE	3/4
--UL--12EA-011--EE	1
--UL--12EA-012--EE	1-1/8
--UL--12EA-014--EE	1-3/8
--UL--12EA-016--EE	1-5/8
--UL--12EA-017--EE	2-1/8
--UL--12EA-018--EE	2-5/8



CARRIER

90° long radius male to female copper elbows

Ordering Reference	Connection size (inch)
--UL--12DA-002--EE	1/4
--UL--12DA-003--EE	3/8
--UL--12DA-004--EE	5/8
--UL--12DA-005--EE	3/4
--UL--12DA-006--E-	7/8
--UL--12DA-007--EE	1
--UL--12DA-008--EE	1-1/8
--UL--12DA-009--EE	1-3/8
--UL--12DA-010--E-	1-5/8
--UL--12DA-011--E-	2-1/8
--UL--12DA-012--EE	2-5/8
--UL--12DA-013--EE	3-1/8



CARRIER

Equals copper tees

Ordering Reference	Connection size (inch)
--UH--12AA-001--E-	1-1/8
--UH--12AA-003--EE	3/16
--UH--12AA-004--EE	5/16
--UH--12AA-005--EE	3/8
--UH--12AA-006--EE	1/2
--UH--12AA-007--E-	5/8
--UH--12AA-008--EE	3/4
--UH--12AA-009--EE	7/8
--UH--12AA-010--EE	1-3/8
--UH--12AA-011--EE	1
--UH--12AA-012--EE	1-5/8
--UH--12AA-013--EE	2-1/8
--UH--12AA-014--EE	2-5/8



CARRIER

Reducing copper tees

Copper Fittings

Ordering Reference	Connection size (inch)
--UH--12AB-008--EE	5/16 - 5/16 - 3/8
--UH--12AB-009--EE	5/16 - 5/16 - 1/4
--UH--12AB-011--EE	5/16 - 1/4 - 1/4
--UH--12AB-010--EE	5/16 - 1/4 - 5/16
--UH--12AB-035--EE	5/8 - 5/8 - 3/8
--UH--12AB-034--EE	5/8 - 5/8 - 1/2
--UH--12AB-032--EE	5/8 - 5/8 - 7/8
--UH--12AB-033--EE	5/8 - 5/8 - 3/4
--UH--12AB-120--EE	5/8 - 5/8 - 1-1/8
--UH--12AB-004--EE	5/8 - 3/8 - 3/8
--UH--12AB-041--EE	5/8 - 3/8 - 5/8
--UH--12AB-042--EE	5/8 - 3/8 - 1/2
--UH--12AB-040--EE	5/8 - 1/2 - 3/8
--UH--12AB-036--EE	5/8 - 1/2 - 5/8
--UH--12AB-039--EE	5/8 - 1/2 - 1/2
--UH--12AB-052--EE	7/8 - 7/8 - 3/8
--UH--12AB-050--EE	7/8 - 7/8 - 5/8
--UH--12AB-053--EE	7/8 - 7/8 - 1/4
--UH--12AB-051--EE	7/8 - 7/8 - 1/2
--UH--12AB-049--EE	7/8 - 7/8 - 3/4
--UH--12AB-003--EE	7/8 - 7/8 - 1-1/8
--UH--12AB-054--EE	7/8 - 5/8 - 7/8
--UH--12AB-055--EE	7/8 - 5/8 - 5/8
--UH--12AB-056--EE	7/8 - 5/8 - 1/2
--UH--12AB-126--EE	7/8 - 3/4 - 7/8
--UH--12AB-127--EE	7/8 - 3/4 - 3/4
--UH--12AB-057--EE	7/8 - 1/2 - 7/8
--UH--12AB-058--EE	7/8 - 1/2 - 5/8
--UH--12AB-059--EE	7/8 - 1/2 - 1/2
--UH--12AB-017--EE	3/8 - 5/16 - 5/16

For other codes, please consult us



CARRIER

Reducing copper tees

Ordering Reference	Connection size (inch)
--UH--12AB-016--EE	3/8 - 5/16 - 3/8
--UH--12AB-001--EE	3/8 - 3/8 - 5/8
--UH--12AB-013--EE	3/8 - 3/8 - 5/16
--UH--12AB-015--EE	3/8 - 3/8 - 3/16
--UH--12AB-014--EE	3/8 - 3/8 - 1/4
--UH--12AB-012--EE	3/8 - 3/8 - 1/2
--UH--12AB-018--EE	3/8 - 1/4 - 3/8
--UH--12AB-019--EE	3/8 - 1/4 - 1/4
--UH--12AB-122--EE	3/4 - 5/8 - 5/8
--UH--12AB-121--EE	3/4 - 5/8 - 3/4
--UH--12AB-123--EE	3/4 - 5/8 - 1/2
--UH--12AB-047--EE	3/4 - 3/4 - 7/8
--UH--12AB-043--EE	3/4 - 3/4 - 5/8
--UH--12AB-045--EE	3/4 - 3/4 - 3/8
--UH--12AB-048--EE	3/4 - 3/4 - 1-1/8
--UH--12AB-044--EE	3/4 - 3/4 - 1/2
--UH--12AB-046--EE	3/4 - 1/2 - 5/8
--UH--12AB-124--EE	3/4 - 1/2 - 3/4
--UH--12AB-125--EE	3/4 - 1/2 - 1/2
--UH--12AB-007--EE	1/4 - 3/16 - 1/4
--UH--12AB-006--EE	1/4 - 1/4 - 3/8
--UH--12AB-116--EE	1/4 - 1/4 - 3/16
--UH--12AB-030--EE	1/2 - 1/4 - 1/2
--UH--12AB-026--EE	1/2 - 5/16 - 1/2
--UH--12AB-024--EE	1/2 - 3/8 - 3/8
--UH--12AB-025--EE	1/2 - 3/8 - 1/4
--UH--12AB-023--EE	1/2 - 3/8 - 1/2
--UH--12AB-119--EE	1/2 - 1/4 - 3/8
--UH--12AB-031--EE	1/2 - 1/4 - 1/4
--UH--12AB-117--EE	1/2 - 1/2 - 7/8



CARRIER

Reducing copper tees

Copper Fittings

Ordering Reference	Connection size (inch)
--UH--12AB-002--EE	1/2 - 1/2 - 5/8
--UH--12AB-118--EE	1/2 - 1/2 - 5/16
--UH--12AB-020--EE	1/2 - 1/2 - 3/8
--UH--12AB-021--EE	1/2 - 1/2 - 3/16
--UH--12AB-022--EE	1/2 - 1/2 - 1/4
--UH--12AB-068--EE	1-1/8 - 7/8 - 7/8
--UH--12AB-069--EE	1-1/8 - 7/8 - 5/8
--UH--12AB-128--EE	1-1/8 - 7/8 - 3/4
--UH--12AB-067--E-	1-1/8 - 7/8 - 1-1/8
--UH--12AB-070--EE	1-1/8 - 7/8 - 1/2
--UH--12AB-072--EE	1-1/8 - 5/8 - 7/8
--UH--12AB-131--EE	1-1/8 - 5/8 - 5/8
--UH--12AB-071--EE	1-1/8 - 5/8 - 1-1/8
--UH--12AB-130--EE	1-1/8 - 3/4 - 3/4
--UH--12AB-129--EE	1-1/8 - 3/4 - 1-1/8
--UH--12AB-062--E-	1-1/8 - 1-1/8 - 7/8
--UH--12AB-064--EE	1-1/8 - 1-1/8 - 5/8
--UH--12AB-066--EE	1-1/8 - 1-1/8 - 3/8
--UH--12AB-063--EE	1-1/8 - 1-1/8 - 3/4
--UH--12AB-060--EE	1-1/8 - 1-1/8 - 1-5/8
--UH--12AB-061--EE	1-1/8 - 1-1/8 - 1-3/8
--UH--12AB-065--EE	1-1/8 - 1-1/8 - 1/2
--UH--12AB-084--EE	1-3/8 - 7/8 - 7/8
--UH--12AB-133--EE	1-3/8 - 7/8 - 5/8
--UH--12AB-082--EE	1-3/8 - 7/8 - 1-3/8
--UH--12AB-083--EE	1-3/8 - 7/8 - 1-1/8
--UH--12AB-134--EE	1-3/8 - 5/8 - 1-3/8
--UH--12AB-076--EE	1-3/8 - 1-3/8 - 7/8
--UH--12AB-077--EE	1-3/8 - 1-3/8 - 5/8
--UH--12AB-073--EE	1-3/8 - 1-3/8 - 2-1/8

For other codes, please consult us



CARRIER

Reducing copper tees

Ordering Reference	Connection size (inch)
--UH--12AB-074--EE	1-3/8 - 1-3/8 - 1-5/8
--UH--12AB-075--E-	1-3/8 - 1-3/8 - 1-1/8
--UH--12AB-132--EE	1-3/8 - 1-3/8 - 1/2
--UH--12AB-080--EE	1-3/8 - 1-1/8 - 7/8
--UH--12AB-081--EE	1-3/8 - 1-1/8 - 5/8
--UH--12AB-078--EE	1-3/8 - 1-1/8 - 1-3/8
--UH--12AB-079--EE	1-3/8 - 1-1/8 - 1-1/8
--UH--12AB-101--EE	1-5/8 - 7/8 - 7/8
--UH--12AB-138--EE	1-5/8 - 7/8 - 5/8
--UH--12AB-100--EE	1-5/8 - 7/8 - 1-5/8
--UH--12AB-136--EE	1-5/8 - 7/8 - 1-3/8
--UH--12AB-137--EE	1-5/8 - 7/8 - 1-1/8
--UH--12AB-139--EE	1-5/8 - 5/8 - 1-5/8
--UH--12AB-088--EE	1-5/8 - 1-5/8 - 7/8
--UH--12AB-089--EE	1-5/8 - 1-5/8 - 5/8
--UH--12AB-085--EE	1-5/8 - 1-5/8 - 2-1/8
--UH--12AB-086--EE	1-5/8 - 1-5/8 - 1-3/8
--UH--12AB-087--EE	1-5/8 - 1-5/8 - 1-1/8
--UH--12AB-094--EE	1-5/8 - 1-3/8 - 7/8
--UH--12AB-095--EE	1-5/8 - 1-3/8 - 5/8
--UH--12AB-090--E-	1-5/8 - 1-3/8 - 1-5/8
--UH--12AB-091--EE	1-5/8 - 1-3/8 - 1-3/8
--UH--12AB-093--EE	1-5/8 - 1-3/8 - 1-1/8
--UH--12AB-099--EE	1-5/8 - 1-1/8 - 7/8
--UH--12AB-135--EE	1-5/8 - 1-1/8 - 5/8
--UH--12AB-096--EE	1-5/8 - 1-1/8 - 1-5/8
--UH--12AB-097--EE	1-5/8 - 1-1/8 - 1-3/8
--UH--12AB-098--EE	1-5/8 - 1-1/8 - 1-1/8
--UH--12AB-146--EE	2-1/8 - 7/8 - 2-1/8
--UH--12AB-147--EE	2-1/8 - 5/8 - 2-1/8



CARRIER

Reducing copper tees

Copper Fittings

Ordering Reference	Connection size (inch)
--UH--12AB-105--EE	2-1/8 - 2-1/8 - 7/8
--UH--12AB-106--EE	2-1/8 - 2-1/8 - 5/8
--UH--12AB-140--EE	2-1/8 - 2-1/8 - 2-5/8
--UH--12AB-102--EE	2-1/8 - 2-1/8 - 1-5/8
--UH--12AB-103--EE	2-1/8 - 2-1/8 - 1-3/8
--UH--12AB-104--EE	2-1/8 - 2-1/8 - 1-1/8
--UH--12AB-111--EE	2-1/8 - 1-5/8 - 7/8
--UH--12AB-141--EE	2-1/8 - 1-5/8 - 5/8
--UH--12AB-107--EE	2-1/8 - 1-5/8 - 2-1/8
--UH--12AB-108--EE	2-1/8 - 1-5/8 - 1-5/8
--UH--12AB-109--EE	2-1/8 - 1-5/8 - 1-3/8
--UH--12AB-110--EE	2-1/8 - 1-5/8 - 1-1/8
--UH--12AB-142--EE	2-1/8 - 1-3/8 - 7/8
--UH--12AB-143--EE	2-1/8 - 1-3/8 - 5/8
--UH--12AB-112--EE	2-1/8 - 1-3/8 - 2-1/8
--UH--12AB-113--EE	2-1/8 - 1-3/8 - 1-5/8
--UH--12AB-114--EE	2-1/8 - 1-3/8 - 1-3/8
--UH--12AB-115--EE	2-1/8 - 1-3/8 - 1-1/8
--UH--12AB-144--EE	2-1/8 - 1-1/8 - 2-1/8
--UH--12AB-145--EE	2-1/8 - 1-1/8 - 1-1/8
--UH--12AB-164--EE	2-5/8 - 7/8 - 2-5/8
--UH--12AB-152--EE	2-5/8 - 2-5/8 - 7/8
--UH--12AB-153--EE	2-5/8 - 2-5/8 - 5/8
--UH--12AB-148--EE	2-5/8 - 2-5/8 - 2-1/8
--UH--12AB-149--EE	2-5/8 - 2-5/8 - 1-5/8
--UH--12AB-150--EE	2-5/8 - 2-5/8 - 1-3/8
--UH--12AB-151--EE	2-5/8 - 2-5/8 - 1-1/8
--UH--12AB-159--EE	2-5/8 - 2-1/8 - 7/8
--UH--12AB-160--EE	2-5/8 - 2-1/8 - 5/8
--UH--12AB-154--EE	2-5/8 - 2-1/8 - 2-5/8

For other codes, please consult us



CARRIER

Reducing copper tees

Ordering Reference	Connection size (inch)
--UH--12AB-155--EE	2-5/8 - 2-1/8 - 2-1/8
--UH--12AB-156--E-	2-5/8 - 2-1/8 - 1-5/8
--UH--12AB-157--EE	2-5/8 - 2-1/8 - 1-3/8
--UH--12AB-158--EE	2-5/8 - 2-1/8 - 1-1/8
--UH--12AB-161--EE	2-5/8 - 1-5/8 - 2-5/8
--UH--12AB-162--EE	2-5/8 - 1-3/8 - 2-5/8
--UH--12AB-163--EE	2-5/8 - 1-1/8 - 2-5/8
--UH--12AB-181--EE	3-1/8 - 7/8 - 3-1/8
--UH--12AB-170--EE	3-1/8 - 3-1/8 - 7/8
--UH--12AB-171--EE	3-1/8 - 3-1/8 - 5/8
--UH--12AB-165--EE	3-1/8 - 3-1/8 - 2-5/8
--UH--12AB-166--EE	3-1/8 - 3-1/8 - 2-1/8
--UH--12AB-167--EE	3-1/8 - 3-1/8 - 1-5/8
--UH--12AB-168--EE	3-1/8 - 3-1/8 - 1-3/8
--UH--12AB-169--EE	3-1/8 - 3-1/8 - 1-1/8
--UH--12AB-172--EE	3-1/8 - 2-5/8 - 3-1/8
--UH--12AB-173--EE	3-1/8 - 2-5/8 - 2-5/8
--UH--12AB-174--EE	3-1/8 - 2-5/8 - 2-1/8
--UH--12AB-175--EE	3-1/8 - 2-1/8 - 3-1/8
--UH--12AB-176--EE	3-1/8 - 2-1/8 - 2-5/8
--UH--12AB-177--EE	3-1/8 - 2-1/8 - 2-1/8
--UH--12AB-178--EE	3-1/8 - 1-5/8 - 3-1/8
--UH--12AB-179--EE	3-1/8 - 1-3/8 - 3-1/8
--UH--12AB-180--EE	3-1/8 - 1-1/8 - 3-1/8



CARRIER

Copper bars

Conform to NF EN 12735-1 norm

Copper

Ordering Reference	Connection size (inch)	Thickness (mm)	Lenght (m)	Weight (kg)
---P-801--0004EE1	1/4	0,8	4	0,5
---P-801--0006EE1	3/8	0,8	4	0,79
---P-801--0008EE1	1/2	1	4	1,32
---P-801--0010EE1	5/8	1	4	1,67
---P-801--0012EE1	3/4	1	4	2,03
---P-801--0014EE1	7/8	1	4	2,39
---P-801--0018EE1	1-1/8	1	4	3,10
---P-801--0022EE1	1-3/8	1,24	4	4,70
---P-801--0026EE1	1-5/8	1,24	4	5,58
---P-801--0034EE1	2-1/8	1,65	4	9,71
---P-801--0042EE1	2-5/8	2,10	4	15,25
---P-801--0080EE1	3-1/8	2,50	4	21,62

COPPER / NAKED COPPER ROLLS



CARRIER

Naked copper rolls

Conform to NF EN 12735-1 norm

Ordering Reference	Connection size (inch)	Thickness (mm)	Lenght (m)	Weight (kg)
---P-802--0004EE1	1/4	0,80	15	1,87
---P-802--0005EE1	5/16	0,80	15	2,40
---P-802--0006EE1	3/8	0,80	15	2,94
---P-802--0008EE1	1/2	1	15	4,93
---P-802--0010EE1	5/8	1	15	6,27
---P-802--0012EE1	3/4	1	15	7,61
---P-802--0014EE1	7/8	0,89	15	8

For other codes, please consult us



CARRIER

1 tube insulated copper rolls
M1 Certified

---P-800--0000--EE : adhesive tape (50 meters X 50mm)
You can tear it up with your hand
Water and UV protection

Ordering Reference	Connection size (inch)	Thickness (mm)	Lenght (m)
---P-800--0004--EE	1/4	0,8 TO 1	25
---P-800--0006--EE	3/8	0,8 TO 1	25
---P-800--0008--EE	1/2	0,8 TO 1	25
---P-800--0010--EE	5/8	0,8 TO 1	25
---P-800--0012--EE	3/4	0,8 TO 1	25

COPPER / 2 TUBES INSULATED COPPER ROLLS



CARRIER

2 tubes insulated copper rolls
M1 Certified

---P-800--0000--EE : adhesive tape (50 meters X 50mm)
You can tear it up with your hand
Water and UV protection

Ordering Reference	Connection size (inch)	Thickness (mm)	Lenght (m)
---P-800--2001--EE	1/4 - 3/8	0,8 TO 1	20
---P-800--2002--EE	1/4 - 1/2	0,8 TO 1	20
---P-800--2003--EE	1/4 - 5/8	0,8 TO 1	20
---P-800--2004--EE	3/8 - 5/8	0,8 TO 1	20
---P-800--2005--EE	3/8 - 1/2	0,8 TO 1	20



ARMAFLEX

Tube insulation

-----960--EE1 = exchangers insulation

Sold per meter (nominal thickness = 19 millimeter, width = 1.50 meter)

---P-904CA-520--EE = Armaflex 520 glue (1 liter) adapted to this kind of insulation

Ordering Reference	Type	Piping diameter size (inch)	Thickness (mm)	Lenght (m) in one box
---P-809MH1027--EE	H-28A	1-1/8	13,5	78
---P-809MH1015--EE	H-015A	5/8	13	136
---P-809MH1017--EE	H-018A	3/4	13	118
---P-809MH1022--EE	H-22A	7/8	13	98
---P-809MH1034--EE	H-35A	1-3/8	14	58
---P-809MH1042--EE	H-42A	1-5/8	14,5	48
---P-809MH1054--EE	H-54A	2-1/8	14,5	34



COPELAND

COPELAND Compressors oils

Ordering reference	Type	Capacity (L)	APPLICATION
RL32-3MAF-1TTL	ESTER RL32-3MAF	1	R134A, R407C, R410A
RL32-3MAF-5TTL	ESTER RL32-3MAF	5	R134A, R407C, R410A

OILS / MANEUROP COMPRESSORS OILS



MANEUROP

MANEUROP Compressors oils

Ordering reference	Type	Capacity (L)	Application	Use
7754024	160SZ	2	R407C - R134A	SZ / SH
7754023	160SZ	1	R407C - R134A	SZ / SH
7754018	160PZ	2	R407C	MTZ



CARRIER

Totaline Mineral Oils

Totaline oils are offering the performance advantages :

- Long lubricant life
- Multi language packaging
- Good miscibility with HFC refrigerants

Ordering reference	Type	Capacity (L)
-----477--EE	MINERAL ENERGOL LPT32	20
-----470EE-1	MINERAL ENERGOL LPT32	5
---P-903AR30020-EE	ENERGOL LPT68	20
-----150-5-TTL	ENERGOL LPT 150	5
-----15020-TTL	ENERGOL LPT 150	20

OILS / TOTALINE ESTER OILS



CARRIER

Totaline Ester Oils

Totaline oils are offering the performance advantages :

- Long lubricant life
- Multi language packaging
- Good miscibility with HFC refrigerants

Ordering reference	Type	Capacity (L)
---P-903EAL32-5EE	ESTER SW32	5
---P-903EAL32-20EE	ESTER SW32	20
---P-903EST68-5TL	ESTER 68	5
---P-903EST68-20TL	ESTER 68	20
---P-903SW68-5TTL	ESTER SW68	5
---P-903SW68-20TTL	ESTER SW68	20
---P-903SW-100-5EE	ESTER SW100	5
---P-903SW-100--EE	ESTER SW100	20
---P-903SW220-5TTL	ESTER SW220	5
---P-903SW220-20TTL	ESTER SW220	20

MSDS available upon request



VERNOLAB

Oil Test

Complete Kit :

Oil test are shipped with identification stickers, addressed envelopes and oil analysis reports

Analyse type : Spectrometry, TAN, viscosity and water content

Samples to be sent to laboratory and visualisation of the results on the laboratory website (5 days maximum delay)

Ordering reference	Type	Quantity
TEST-VERNOLAB-EXP	ENGLISH VERSION	SOLD INDIVIDUALLY
TEST-VERNOLAB-FR	FRENCH VERSION	SOLD INDIVIDUALLY



PARTS ACIDITY & OIL TESTS

Ordering reference	Type	Description
TT1-001	TOTALINE KIT R22	ALL IN ONE KIT : TOTALTEST + 2 TUBES
TT1-002	TOTALINE KIT R22-R410A	ALL IN ONE KIT : INSTRUMENT + 2 TUBES
TT2-001	TOTALINE TUBES X 6	6 REPLACEMENT TUBES R22
TT2-002	TOTALINE TUBES X 6	6 REPLACEMENT TUBES R410A
AA-UNIVERSAL-KIT	ACID ALERT	ACID ALERT TEST KIT



Coated Silver brazing alloy Cadmium free

For steel-brass / cooper-brass / cooper-cooper / steel-steel with stripper

Range of fusion following norm ISO 17672 : 2010
Cadmium Free

Thin, flexible & sold coating without odors & residue

For specific needs consult us

Reference	% Silver	Range of fusion in °C	Diameter (mm)	Packaging
556SNES200	56%	620 - 655	2	200G
545SNES200	45%	640 - 680	2	200G
540SNES200	40%	650 - 710	2	200G
534SNES200	34%	630 - 730	2	200G
530SNES200	30%	665 - 755	2	200G
520SIES	20%	776 - 815	2	500G
534SNES	34%	630 - 730	2	500G
540SNES	40%	650 - 710	2	500G
545SNES	45%	640 - 680	2	500G



Bared Silver brazing Cadmium free

For steel-brass / cooper-brass / cooper-cooper / steel-steel with stripper

Range of fusion following norm ISO 17672 : 2010
Cadmium Free

Using powder stripper is necessary
(Reference : SUPERFLUX NT)

For specific needs consult us

Reference	% Silver	Range of fusion in °C	Diameter (mm)	Packaging
545SNB200	45%	640 - 680	2	200G
540SNB200	40%	650 - 710	2	200G
534SNB200	34%	630 - 730	2	200G
530SNB200	30%	665 - 755	2	200G
556SNB200	56%	620 - 655	2	200G

Pour toute autre référence, nous consulter



Silver Cooper Phosphorus brazing Rods



For Cooper-Cooper without powder stripper
 For brass & bronze, necessity to use powder stripper
 (Reference SUPERFLUX NT)
 Range of fusion following norm EN ISO 17672 : 2010

For specific needs consult us

Reference	% Silver	Range of fusion in °C	Diameter (mm)	Packaging
102B200	2%	640 - 820	2	200G
105B200	5%	644 - 815	2	200G
115B200	15%	650 - 800	2	200G

Superflux powder stripper packaging 200G - Reference:
 SUPERFLUX NT

The Stop fire gel avoids the heat spread all around the brazing
 Packaging 1L - Reference :
 M005010



REFRIGERANT RECOVERY UNIT



Tools

BENEFITS & FEATURES :

- Recovers all commonly used CFC, HCFC, including R410A
- Oil-less compressor
- Economical recovery workhorse
- Compact & light weight
- 500 psi high pressure safety Cut-Off switch
- Oil-filled pressure gauge
- Easy to Use
- Self purge valves
- Corrosion proff & durable molded case
- Accessories included : Filter drier, connection hose, power supply plug

TREC-05002A

REFRIGERANT CLASS		
Cat.III	Cat. IV	Cat. V
R-12	R-22	R-402A
R-134A	R-401A	R-404A
R-401C	R-401B	R-407A
R-406C	R-402B	R-407B
R-500	R-407C	R-410A
-	R-407D	R-507
-	R-408A	-
-	R-409A	-
-	R-411A	-
-	R-412A	-
-	R-502	-
-	R-R09	-

MODEL	TREC-05002A		
MOTOR	1/2 HP		
POWER	220-240V 50HZ		
MAX CURRENT	4 A		
MOTOR SPEED	1450 RPM		
COMPRESSOR	OIL-LESS, AIR COOLED, PISTON STYLE		
HIGH PRESSURE CUT-OFF	38.5 BAR (558 PSI)		
REFRIGERANT CLASS	CAT.III	CAT. IV	CAT. V
VAPOR RECOVERY RATE (KG/MIN)	0.23	0.25	0.26
LIQUID RECOVERY RATE (KG/MIN)	1.57	1.81	1.85
PUSH/PULL RECOVERY RATE (KG/MIN)	4.64	5.57	6.22
OPERATING TEMPERATURE	0°C - 40°C		
DIMENSIONS (LXWXH)	500 X 220 X 340 MM		
NET WEIGHT	16 KG		

For other codes, please consult us



VACUUM PUMPS



BENEFITS & FEATURES :

- Standard Flow Rates : 1,5CFM - 12 CFM
- Portability : small design, easy to carry & use
- Security : thermal protection in the motor
- Reliability : force-feed lubrication for more reliability
- Suitable for all voltage



Model Nomenclature

TVAC X X XXX

CFM of machine up to one place of decimal

S = Single Stage
D = Dual Stage

- 1 = 115V 60Hz
- 2 = 220V 50Hz
- 3 = 208 ~ 230V 60Hz
- 4 = Dual Hertz , Dual Voltage

TVAC
Totaline Vacuum Pump

MODELS & SPECIFICATIONS

Single Voltage

1.5CFM~3CFM



Part No.	Unit	TVAC2D015	TVAC3D018	TVAC2D025	TVAC3D030
Frequency	Hz	50	60	50	60
Flow Rate	CFM	1.5	1.8	2.5	3
	l/min	42	50	70	84
Ultimate Vacuum	Pa	3 x10 ⁻¹		3 x10 ⁻¹	
	microns	25		25	
Stage		2		2	
Power	HP	1/4		1/3	
Inlet Port	Flare	1/4"		1/4"	
Oil Capacity	ml	200		250	
Dimensions	mm	308 x 124 x 230		315 x 124 x 240	
Weight	kg	7.5		8.6	

3.5CFM~5CFM



Part No.	Unit	TVAC2D035	TVAC3D040	TVAC2D045	TVAC3D050
Frequency	Hz	50	60	50	60
Flow Rate	CFM	3.5	4	4.5	5
	l/min	100	114	128	142
Ultimate Vacuum	Pa	3 x10 ⁻¹		3 x10 ⁻¹	
	microns	25		25	
Stage		2		2	
Power	HP	1/3		1/2	
Inlet Port	Flare	1/4" & 3/8"		1/4" & 3/8"	
Oil Capacity	ml	350		330	
Dimensions	mm	335 x 138 x 250		335 x 138 x 250	
Weight	kg	11.2		11.4	

6CFM~12CFM



Part No.	Unit	TVAC2D060	TVAC3D070	TVAC2D080	TVAC3D090	TVAC2D100	TVAC3D120
Frequency	Hz	50	60	50	60	50	60
Flow Rate	CFM	6	7	8	9	10	12
	l/min	170	198	226	254	283	340
Ultimate Vacuum	Pa	3 x10 ⁻¹		3 x10 ⁻¹		3 x10 ⁻¹	
	microns	25		25		25	
Stage		2		2		2	
Power	HP	3/4		1		1	
Inlet Port	Flare	1/4" & 3/8"		1/4" & 3/8"		1/4" & 3/8"	
Oil Capacity	ml	700		590		590	
Dimensions	mm	400 x 145 x 270		400 x 145 x 270		400 x 145 x 270	
Weight	kg	16.5		16.7		16.7	

Dual Voltage



Part No.	Unit	TVAC4D015		TVAC4D025		TVAC4D035		TVAC4D045	
Frequency	Hz	50	60	50	60	50	60	50	60
Flow Rate	CFM	1.5	1.8	2.5	3	3.5	4	4.5	5
	l/min	42	50	70	84	100	114	128	142
Ultimate Vacuum	Pa	3 x10 ⁻¹		3 x10 ⁻¹		3 x10 ⁻¹		3 x10 ⁻¹	
	microns	25		25		25		25	
Stage		2		2		2		2	
Power	HP	1/4		1/3		1/3		1/2	
Inlet Port	Flare	1/4"		1/4"		1/4" & 3/8"		1/4" & 3/8"	
Oil Capacity	ml	200		250		350		330	
Dimensions	mm	308 x 124 x 230		315 x 124 x 240		335 x 138 x250		335 x 138 x 250	
Weight	kg	8.4		8.6		11.2		11.4	



Part No.	Unit	TVAC4D060		TVAC4D080		TVAC4D100	
Frequency	Hz	50	60	50	60	50	60
Flow Rate	CFM	6	7	8	9	10	12
	l/min	170	198	226	254	283	340
Ultimate Vacuum	Pa	3 x10 ⁻¹		3 x10 ⁻¹		3 x10 ⁻¹	
	microns	25		25		25	
Stage		2		2		2	
Power	HP	3/4		1		1	
Inlet Port	Flare	1/4" & 3/8"		1/4" & 3/8"		1/4" & 3/8"	
Oil Capacity	ml	700		590		590	
Dimensions	mm	400 x 145 x 270		400 x 145 x 270		400 x 145 x 270	
Weight	kg	16.5		16.7		16.7	

Model Nomenclature

TVAC X X XXX

CFM of machine up to one place of decimal

S = Single Stage
D = Dual Stage

1 = 115V 60Hz
2 = 220V 50Hz
3 = 208 ~ 230V 60Hz
4 = Dual Hertz , Dual Voltage

TVAC
Totaline Vacuum Pump



Charging Scales

Electronic charging scale with LCD display
 Compact & light-weight (2.5kg)
 Programmable & field-calibratable
 Supplied in a carrying pouch
 Capacity : 100 kg
 Resolution : 2 g

Ref :
 REF-METER



Compact Charging Scales

Electronic charging scale with LCD display
 Easy to carry & storage
 Supplied in a carrying pouch
 Capacity : 100 kg
 Resolution : $\pm 10g$ at 25°C

Ref :
 TIF9030



TOTALINE DIGITAL MULTIMETER

Ref:
MT-DMM830L

	Range	Accuracy
DC VOLTAGE	200MV/2V/200V/600V	±5% ~ ±8%
AC VOLTAGE	200V/600V	±1.2%
DC CURRENT	200µA/2MA/20MA/200MA/10A	±1.0% ~ ±3.0%
RESISTANCE	200Ω/2KΩ/20KΩ/200KΩ/2MΩ	±0.8% ~ ±1.0%

Special Functions	MT-DMM830L	MT-DMM38
TEMP (-20°C ~ 1000°C)		√
DATA HOLD	√	√
DIODE TEST	√	√
BUZZER	√	√
TRANSISTOR HFE TEST	√	√
BACK LIGHT	√	



TOTALINE DIGITAL MULTIMETER

Ref:
MT-DMM38

Power : 6x1.5v

LCD size : 64x42

Standard accessories : Interface cable, Test lead, Manual, Battery

Special functions : Measure, Diode test, Duty cycle, Back light

	Range	Accuracy
DV VOLTAGE	50MV/500MV/5V/50V/500V/1000V	± (0.5% +40)
AC VOLTAGE	50MV/500MV/5V/50V/500V/1000V	± (0.03% +10)
DC CURRENT	500µA/5000µA/50MA/5A/10A	± (0.75% +20)
AC CURRENT	500µA/5000µA/50MA/5A/10A	±(0.15% +15)
RESISTANCE	500Ω/5KΩ/50KΩ/500KΩ/5MΩ	(±0.1% +10)
CAPACITANCE	50NF/500NF/5µF/50µF	(±1% +8)
LINE FREQUENCY	5HZ ~ 200KHZ	± (0.006% +4)
PULSE FREQUENCY	5HZ ~ 2MHZ	± (0.006% +4)
DUTY CYCLE	5% ~ 95%	± (2% +5)
DIODE	0 ~ 2.5V	± (1% +8)

For other codes, please consult us



TOTALINE INFRARED THERMOMETER

Ref:
MT-ITH6520

- Single dot laser targeting, back light
- Ambient temperature measurement
- Display selection
- MAX, MIN, AVG value selectable
- Hold function
- Low battery indication

	Specifications
MEASUREMENT RANGE	-50°C ~ 500°C
TAMB MEASUREMENT	0°C ~ 50°C
OVER RANGE INDICATION	«OL»
FIELD OF VIEW	8 : 1
TARGET TYPICAL DISTANCE	1.5 METER
EMISSIVITY	0.95
AUTO POWER OFF	20 SECONDS



TOTALINE INFRARED THERMOMETER

Ref:
MT-ITH6530

- Laser-On indicator / Holding indicator / Low power indicator
- First temp display / Average temp display / 2nd temp display
- Max/Min indicator

	Specifications
MEASUREMENT RANGE	-20°C ~ 50°C ±2.5°C 50°C ~ 537°C ±(1%+1°C)
EMISSIVITY	0.95
RESOLUTION	0.3°C
DISTANCE SPOT RATIO	12 : 1
SPECTRAL RESPONSE	8 - 14 μm
EMISSITRY	0.95
ALARM TEMP RANGE	30°C ~ 535°C

For other codes, please consult us

www.carrier-ercd.com



TOTALINE CLAMP METER

Ref:
MT-CLM310C

	Range	Accuracy
DC VOLTAGE	1000V	±(1%+2)
AC VOLTAGE	750V	±(1%+2)
AC CURRENT	200mA/20A/1000A	±(2%+5)
RESISTANCE	200Ω/2KΩ	±(1%+3)
TEMPERATURE	-40°C ~ 750°C	±(1%+3) ONLY FOR MT-CLM310C

Special Functions	MT-CLM310	MT-CLM310C
DIODE TEST	√	√
BACK LIGHT	√	√
CONTINUITY BUZZER	√	√
MAX DISPLAY	1999	1999



TOTALINE THERMOCOUPLE CALIBRATOR

Ref:
MT-TCC710

Measure & simulate Thermocouple

	Specifications
THERMOCOUPLE	TYPE J/K/T/E/R/S/B/N
RANGE	-10MV ~ 75MV
RESOLUTION	0.01MV
ACCURACY	±(0.025% +1 COUNT)
POWER	6 X 1.5V



LA JUSTE PRESSION

Gauges

Ordering Reference	Application	Use	Graduations scale (bar)	Red line limit (bar)	Gauge diameter	Coupling type	Coupling diameter
--DN--12AB-003--EE	R12	-	18	-	80	SAE	1/4
--DN--12AC-001--EE	R502	SUCTION	8	-	80	SAE	1/4
--DN--12AC-002--EE	R502	DISCHARGE	30	25	80	SAE	1/4
--DN--12AD-004--EE	R500	DISCHARGE	30	23	80	SAE	1/4
--DN--12CA-001--EE	R22	BP	16	-	80	SAE	1/4
--DN--12CA-002--EE	R22	HP	30	21	80	SAE	1/4
--DN--12CA-003--EE	R22	DISCHARGE	32	-	80	SAE	1/4
--DN--12DA-001--EE	R22	BP	32	17,1	80	SAE	1/4
--DN--12DA-002--EE	R22	HP	32	25	80	SAE	1/4
--DN--12DB-002--EE	R134A/R22	BP	30	16	80	SAE	1/4
--DN--12DB-003--EE	R134A/R22	BP	30	18	80	SAE	1/4
--DN--12DB-010--EE	R134A/R22	HP	45	30	80	SAE	1/4
--DN--12EA-009--EE	R22	HP	4 MPA	-	80	SAE	1/4
--DN--12EA-010--EE	R22	BP	1,6 MPA	-	80	SAE	1/4
--DN--12EA-016--EE	R22	-	30	-	80	SAE	1/4
--DN--12EA-017--EE	R22	-	45	-	80	SAE	1/4



WIKA
Gauges

Tools

Ordering Reference	Application	Use	Graduations scale (bar)	Red line limit (bar)	Gauge diameter	Coupling type	Coupling diameter
--DN--12DC-001--EE	R22	BP	30	14	63	BACK	7/16-20 UNF
--DN--12DC-003--EE	R22	BP	30	18	63	BACK	7/16-20UNF
--DN--12DC-004--EE	R22	BP	30	16,8	63	BACK	7/16-20UNF
--DN--12DC-005--EE	R22	HP	45	30	63	BACK	7/16-20UNF
--DN--12DC-008--EE	R22	HP	45	24,5	63	BACK	7/16-20UNF
--DN--12DC-009--EE	R134A	HP-BP	30	14	63	BACK	7/16-20UNF
--DN--12DC-010--EE	R134A	BP	30	16	63	BACK	7/16-20UNF
--DN--12DC-011--EE	R134A	HP	45	30	63	BACK	7/16-20UNF
--DN--12DC-012--E-	R134A	HP	45	24,5	63	BACK	7/16-20UNF
--DN--12DC-015--EE	R407C	BP	30	14,5	63	BACK	7/16-20UNF
--DN--12DC-016--EE	R407C	HP	45	30	63	BACK	7/16-20UNF
--DN--12DC-018--EE	R407C	BP	30	16	63	BACK	7/16-20UNF
--DN--12DC-019--EE	R407C	BP	30	17,4	63	BACK	7/16-20UNF
--DN--12DC-021--EE	R407C	HP	45	24,5	63	BACK	7/16-20UNF
--DN--12DC-023--EE	R134A	HP	45	12,7	63	BACK	7/16-20UNF
--DN--12DC-025--EE	R134A	BP	30	17	63	BACK	7/16-20UNF
--DN--12DC-027--EE	R407C	BP	30	19	63	BACK	7/16-20UNF
--DN--12DC-028--EE	R22	BP	30	19	63	BACK	7/16-20UNF
--DN--12DD-025--EE	R22-R137A/R407C	-	45	25	63	BACK	7/16-20UNF
--DN--12EA-037--EE	R22	-	-	24,5	63	BACK	7/16-20UNF
--DN--12EA-052--EE	-	-	-	-	63	VERTICAL	G1/4B

For other codes, please consult us



CARRIER

Fin combs

Ordering Reference	Description
--PA---1---001--EE	SET OF 6 PLASTIC COMB
---P-167--0017--S	SET OF 3 FINS COMBS
---P-167--0001--S	FIN COMB HANDLE

TOOLS / PAINT SPRAYS



CARRIER

Paint sprays

Ordering Reference	Capacity (L)	Color
-----627--EE	NC	ANTI RUST - GREEN
BLANC 9010	0,4	WHITE 9010
--PH--12PB-001--EE	0,4	BLUE 5012
--PH--12PE-001--EE	0,4	GREY 9007
--PH--12PF-001--E-	0,4	LIGHT GREY 7035
--PH--12PG-001--EE	0,4	GREY 7037
--PH--12PJ-001--EE	0,4	GREEN EDF-AFNOR
--PH--23GH-017--S	0,4	GREEN (US)
--PH--23GL-012--S	0,4	GREEN (US)



CARRIER

Cooler and condenser brushes

Ordering Reference	Brush diameter size (inch)	Brush lenght (mm)
--KC--21AH-151--S	1/2	63,5
--KC--21AH-005--S	5/8	63,5
--KC--21AH-105--S	3/4	63,5

For other codes, please consult us

00PPG00003301A	130	00PPG000457900B	119	00PPG000471902A	131	3KA7114-3AC00	186	3NE3335	184
00PPG00003302A	130	00PPG000458001A	131	00PPG000471903A	131	3KA7115-3AA00	186	3NP1123-1BB20	185
00PPG00003303A	130	00PPG000458002A	131	00PPG000471904A	131	3KA7115-3AC00	186	3NP1123-1BC20	185
00PPG00004000D	117	00PPG000458201A	131	00PPG000471905A	131	3KA7116-3AA00	186	3NP1123-1CA20	185
00PPG000005100D	121	00PPG000458202A	131	00PPG000471906A	131	3KA7116-3AC00	186	3NW6110-1	183
00PPG000005200D	121	00PPG000458203A	131	00PPG000472701A	91	3KA7121-3AA00	186	3NW6112-1	183
00PPG000005300D	121	00PPG000458204A	131	00PPG000472900A	125	3KA7121-3AC00	186	3NW6117-1	183
00PPG000005600D	121	00PPG000458206A	131	00PPG000478400A	103	3KA7122-3AA00	186	3NW6120-1	183
00PPG000005800D	121	00PPG000459200A	22	00PPG000478500A	103	3KA7122-3AC00	186	3NW7013	183
00PPG000006800C	84	00PPG000459300A	21	00PPG000479300A	77	3KA7123-3AA00	186	3RH1911-1FA40	173
00PPG000006900	84	00PPG000459300A	22	00PPG000479400A	77	3KA7123-3AC00	186	3RH1911-1HA01	173
00PPG000007000	84	00PPG000459400A	21	00PPG000480501A	131	3KA7131-3AA00	186	3RH1911-1HA12	173
00PPG000007100	84	00PPG000459400A	22	00PPG000480502A	131	3KA7131-3AC00	186	3RH1911-1HA22	173
00PPG000007301A	130	00PPG000459500A	21	00PPG000480503A	131	3KA7132-3AA00	186	3RH1911-2FA22	173
00PPG000007401A	130	00PPG000459500A	22	00PPG000481400A	77	3KA7132-3AC00	186	3RH1911-2HA01	173
00PPG000008201A	158	00PPG000459600A	21	00PPG000486400A	130	3KA7132-3AC00	187	3RH1911-2HA12	173
00PPG000008202A	158	00PPG000459600A	22	00PPG000486900A	127	3KA7141-3AA00	186	3RH1921-1DA11	173
00PPG000008502A	91	00PPG000460200A	77	00PPG000486900A	127	3KA7141-3AC00	186	3RH1921-1EA11	173
00PPG000008504A	91	00PPG000460300A	77	00PPG000489900A	158	3KA7151-3AA00	186	3RH1921-1EA20	173
00PPG000008507A	91	00PPG000460400A	77	00PSG000057400	140	3KA7151-3AC00	186	3RH1921-1LA11	173
00PPG000008508A	91	00PPG000460801A	131	00PSG000057500	140	3KA7152-3AA00	186	3RH1921-1LA20	173
00PPG000011400A	138	00PPG000460802A	131	00PSG000072300A	213	3KA7152-3AC00	186	3RH1921-2DA11	173
00PPG000011701A	54	00PPG000461001A	131	00PSG000072400A	213	3KL5530-1AB01	187	3RH1921-2FC22	173
00PPG000011702A	54	00PPG000461002A	131	00PSG000072500A	213	3KL7111-3AA00	187	3RH1921-2HA22	173
00PPG000012000A	214	00PPG000461003A	131	00PSG000119100A	222	3KL7111-3AC00	187	3RP1525-1AP30	193
00PPG000012100A	214	00PPG000461400A	20	00PSG000119200A	222	3KL7112-3AA00	187	3RS1800-2AP00	193
00PPG000012500A	86	00PPG000461400A	22	00PSG000119300A	222	3KL7112-3AC00	187	3RT1015-1AB01	167
00PPG000012600A	86	00PPG000461500A	20	00PSG000119400A	222	3KL7113-3AA00	187	3RT1015-1AB02	167
00PPG000012800A	137	00PPG000461500A	22	00PSG000119601A	124	3KL7113-3AC00	187	3RT1015-1AF01	167
00PPG000017400B	89	00PPG000461600A	20	00PSG000119602A	124	3KL7114-3AA00	187	3RT1015-2AB01	167
00PPG000017500B	89	00PPG000461600A	22	00PSG000119603A	124	3KL7114-3AC00	187	3RT1015-2AB02	167
00PPG000017600A	89	00PPG000461700A	20	00PSG000119604A	124	3KL7121-3AA00	187	3RT1016-1AB01	167
00PPG000017700B	89	00PPG000461700A	22	00PSG000120000A	222	3KL7121-3AC00	187	3RT1017-1AB01	167
00PPG000018200A	91	00PPG000461800A	20	00PSG000281600A	214	3KL7122-3AA00	187	3RT1017-1AB02	167
00PPG000018900A	96	00PPG000461800A	22	00PSG000456300B	222	3KL7122-3AC00	187	3RT1017-2AB01	167
00PPG000022600A	158	00PPG000461900A	20	00PSG000469000A	214	3KL7123-3AA00	187	3RT1024-1AB00	167
00PPG000023501A	85	00PPG000461900A	22	00PSG000472500A	94	3KL7123-3AC00	187	3RT1024-1AF00	167
00PPG000023502A	85	00PPG000462001A	147	00PSG000511900A	140	3KL7131-3AA00	187	3RT1024-3AB00	167
00PPG000023503A	85	00PPG000462002A	147	00PSG000596300A	124	3KL7131-3AC00	187	3RT1025-1AB00	167
00PPG000023600A	87	00PPG000462003A	147	00PSG000596400A	222	3KL7132-3AA00	187	3RT1025-3AB00	167
00PPG000023800A	87	00PPG000462004A	147	00PSG000637000A	118	3KL7141-3AA00	187	3RT1026-1AB00	167
00PPG000030401A	84	00PPG000462005A	147	00PSG000766800A	54	3KL7141-3AC00	187	3RT1026-1AB04	167
00PPG000030402A	84	00PPG000462101A	147	00PSG000870300A	94	3KL7142-3AA00	187	3RT1026-1AF00	167
00PPG000030403A	84	00PPG000462102A	147	00PSG001022800A	222	3KL7142-3AC00	187	3RT1026-3AB00	167
00PPG000030404A	84	00PPG000462103A	147	00PSG001271800A	124	3KL7151-3AA00	187	3RT1034-1AB00	167
00PPG000030405A	84	00PPG000463401A	131	00PSG001279000A	124	3KL7151-3AC00	187	3RT1034-1AB04	167
00PPG000030406A	84	00PPG000463402A	131	00PSG001279000A	124	3KX7112-2AA00	186-187	3RT1034-1AF00	167
00PPG000030500A	125	00PPG000463403A	131	00PSG001283400A	94	3KX7112-4AA00	186-187	3RT1034-3AB00	167
00PPG000030600A	213	00PPG000463404A	131	00PSG001423100A	94	3KX7112-5AA00	186-187	3RT1034-3AF00	167
00PPG000030700A	213	00PPG000463405A	131	00PSG001482000A	14	3KX7116-2AD00	186-187	3RT1035-1AB00	167
00PPG000030800A	95	00PPG000463406A	131	00PSG001482000A	17	3KX7116-5AD00	186-187	3RT1035-1AB04	167
00PPG000030801A	95	00PPG000464201A	131	00PSG001482000A	18	3LD2213-0TK51	186	3RT1035-1AF00	167
00PPG000030804A	95	00PPG000464202A	131	00PSG001482100A	14	3LD2514-0TK51	186	3RT1035-1AG20	167
00PPG000031100D	117	00PPG000464500A	106	00PSG001482100A	17	3LD9224-1B	186	3RT1035-3AB00	167
00PPG000031200D	117	00PPG000464600A	106	00PSG001482100A	18	3LD9284-1B	186	3RT1035-3AF00	167
00PPG000031300D	117	00PPG000464700A	106	00PSG001482200A	14	3NA3136	184	3RT1036-1AB00	167
00PPG000031400D	117	00PPG000465701A	131	00PSG001482200A	17	3NA3140	184	3RT1036-1BF40	167
00PPG000031500D	117	00PPG000466201A	147	00PSG001482200A	18	3NA3142	184	3RT1044-1AF00	168
00PPG000031600D	117	00PPG000466202A	147	00PSG001482300A	14	3NA3144	184	3RT1044-1AG20	168
00PPG000031700D	117	00PPG000466203A	147	00PSG001482300A	17	3NA3244	184	3RT1044-3AF00	168
00PPG000031800D	117	00PPG000466503A	133	00PSG001482300A	18	3NA3252	184	3RT1045-1AF00	168
00PPG000032000D	121	00PPG000466504A	133	00PSG001482400A	14	3NA3254	184	3RT1045-3AF00	168
00PPG000032100D	121	00PPG000467400A	91	00PSG001482400A	17	3NA3260	184	3RT1054-6AF36	168
00PPG000032200D	121	00PPG000469501A	123	00PSG001482400A	18	3NA3352	184	3RT1056-6AF36	168
00PPG000032300D	121	00PPG000470301A	166	00PSG001482500A	14	3NA3365	184	3RT1064-2AF36	168
00PPG000032400D	121	00PPG000470302A	166	00PSG001482500A	17	3NA3372	184	3RT1064-6AF36	168
00PPG000032500D	121	00PPG000470303A	166	00PSG001482500A	18	3NA3810	184	3RT1065-6AF36	168
00PPG000032600D	121	00PPG000470304A	166	00PSG001717100A	219	3NA3812	184	3RT1926-2CG11	193
00PPG000032700D	121	00PPG000470305A	166	00PSG001717200A	219	3NA3814	184	3RT1954-6A	168
00PPG0000445000A	148	00PPG000470306A	166	00PSG001033800A	210	3NA3817	184	3RT1955-6A	168
00PPG000445501A	133	00PPG000470307A	166	00PSGX011033800A	222	3NA3820	184	3RT1956-6A	168
00PPG000445502A	133	00PPG000470500A	166	1SCA022718R8510	189	3NA3822	184	3RT1964-6A	168
00PPG000445503A	133	00PPG000470600A	166	2TS1224	54	3NA3824	184	3RT1965-6A	168
00PPG000445504A	133	00PPG000470700A	166	2TT1308	54	3NA3830	184	3RT1965-6A	168
00PPG000445600A	91	00PPG000470800A	166	2TU1563	54	3NA3832	184	3RU1116-0KBo	193
00PPG000446703A	77	00PPG000470903A	14	2XG22010--33AANK	213	3NA3832-8	184	3RU1116-1CBo	193
00PPG000452201A	85	00PPG000470903A	17	2XG22030--31AANK	213	3NA3836	184	3RU1116-1EB0	193
00PPG000452501A	144	00PPG000470903A	18	2XG22045--32AANK	213	3NA6130	184	3RU1116-1FC1	193
00PPG000452502A	144	00PPG000471003A	14	2XG22055---2AANK	213	3ND1836	184	3RU1116-1GB0	193
00PPG000457600B	119	00PPG000471003A	17	2XG22070---1AANK	213	3ND2122	184	3RU1116-1GC1	193
00PPG000457700A	119	00PPG000471003A	18	3KA7113-3AA00	186	3ND2130	184	3RU1116-1HB0	193
00PPG000457800A	119	00PPG000471400A	125	3KA7113-3AC00	186	3ND2132	184	3RU1116-1HC1	193
00PPG000457800B	119	00PPG000471901A	131	3KA7114-3AA00	186	3ND2254	184	3RU1116-1JB0	193

3RU1126-4AB0	193	-5-F--20---132--S	62	-5-F--30--3452--S	64	-5-H--40--4Fl-1AS	68	-5-H--40--1802--S	68
3RU1126-4CB0	193	-5-F--20---152--C	62	-5-F--30--136101S	63	-5-H--40---102--S	67	-5-H--40--1811--S	68
3RU1126-4DB0	193	-5-F--20---153--S	62	-5-F--30-A-219--S	61	-5-H--40---103--S	67	-5-H--40--1814--S	68
3RU1136-4EB0	193	-5-F--20---172--C	62	5F30-C644	58	-5-H--40---163--S	68	-5-H--40--1822--S	68
3RU1136-4FB0	193	-5-F--20---212--C	63	5F30-C654	58	-5-H--40---237--S	68	-5-H--40--1943--S	68
3RV1011-oCA10	179	-5-F--20---394--C	63	5F30-C664	58	-5-H--40---242--S	68	-5-H--40--1953--S	68
3RV1011-oDA10	179	-5-F--20---481--S	63	5F30-C664D-S	61	-5-H--40---276A-S	68	-5-H--40--1971--S	68
3RV1011-oDA20	179	-5-F--20---482--S	63	5F30-C864	58	-5-H--40---276--S	68	-5-H--40--1981--S	68
3RV1011-oFA10	179	-5-F--20---676--S	63	5F30-OLD C CASE	58	-5-H--40---323--S	68	-5-H--40--2001--S	68
3RV1011-oGA10	179	-5-F--20---677--S	63	-5-F--30-S-644--S	61	-5-H--40---394--C	68	-5-H--40--2221--S	68
3RV1011-oGA20	179	-5-F--20---752--S	63	-5-F--30-S-664--S	61	-5-H--40---477--S	68	-5-H--40--2231--S	68
3RV1011-oHA20	179	-5-F--20---781--S	63	-5-F--36--1032--S	64	-5-H--40---481--S	68	-5-H--40--2241--S	68
3RV1011-oJA10	179	-5-F--20---847--S	63	-5-F--40---4Fl-A	64	-5-H--40---482--S	68	-5-H--40--2433--S	68
3RV1011-oJA20	179	-5-F--20---861--S	63	-5-F--40---102--S	64	-5-H--40---502--S	68	-5-H--40--2812--S	68
3RV1011-oKA10	179	-5-F--20---891--S	63	-5-F--40---114--S	64	-5-H--40---507--C	68	-5-H--40--3273--S	68
3RV1011-oKA20	179	-5-F--20---932--S	63	-5-F--40---120--S	64	-5-H--40---562--S	69	-5-H--40--3363--S	68
3RV1011-1AA10	179	-5-F--20--1002--S	62	-5-F--40---132--S	64	-5-H--40---588-ES	69	-5-H--40--3413--S	68
3RV1011-1AA20	179	-5-F--20--1011--S	62	-5-F--40---172--C	64	-5-H--40---588-GS	69	-5-H--40--3612--S	68
3RV1011-1BA10	179	-5-F--20--1012--S	62	-5-F--40---237--S	64	-5-H--40---588-HS	69	-5-H--40--3622--S	68
3RV1011-1BA20	179	-5-F--20--1022--S	62	-5-F--40---276--S	64	-5-H--40---588-JS	69	-5-H--40--3632--S	68
3RV1011-1CA10	179	-5-F--20--1031--S	62	-5-F--40---307--S	64	-5-H--40---588-KS	69	-5-H--40--3642--S	68
3RV1011-1CA20	179	-5-F--20--1032--S	62	-5-F--40---394--S	64	-5-H--40---588-MS	69	-5-H--40--3652--S	68
3RV1011-1DA10	179	-5-F--20--1052--S	62	-5-F--40---401--S	64	-5-H--40---598-K	69	-5-H--40--3662--S	68
3RV1011-1DA20	179	-5-F--20--1083--S	62	-5-F--40---408F-S	64	-5-H--40---613--C	69	-5-H--40--3692--C	68
3RV1011-1EA10	179	-5-F--20--1093--S	62	-5-F--40---603--C	64	-5-H--40---653--S	69	-5-H--40--3982--S	68
3RV1011-1FA20	179	-5-F--20--1113--S	62	-5-F--40---623--C	64	-5-H--40---677--S	69	-5-H--40--7252--S	69
3RV1011-1GA10	179	-5-F--20--1132--S	62	-5-F--40---677--S	64	-5-H--40---703--C	69	-5-H--40--7322--S	69
3RV1011-1GA20	179	-5-F--20--1133--S	62	-5-F--40---841--S	64	-5-H--40---711--S	69	-5-H--40--660002S	69
3RV1011-1HA10	179	-5-F--20--1142--S	62	-5-F--40---881--S	64	-5-H--40---772--S	69	-5-H--40-A-219--S	61
3RV1011-1HA20	179	-5-F--20--1191--S	62	-5-F--40---909--S	61	-5-H--40---871--S	69	-5-H--40-A-274--C	69
3RV1011-1JA10	179	-5-F--20--1301--S	62	-5-F--40--1012--S	64	-5-H--40---909--S	61	-5-H--40-A-372--S	69
3RV1011-1KA10	180	-5-F--20--1311--S	62	-5-F--40--1022--S	64	-5-H--40--1001--S	66	-5-H--40-A-564--S	69
3RV1011-1KA20	180	-5-F--20--1322--S	62	-5-F--40--1042--C	64	-5-H--40--1002--S	66	-5-H--40-B-283--S	69
3RV1021-oCA10	180	-5-F--20--1451--S	62	-5-F--40--1052--S	64	-5-H--40--1002S3S	66	-5-H--40-B-303--S	69
3RV1021-oGA10	180	-5-F--20--1501--S	62	-5-F--40--1083--S	64	-5-H--40--1003--S	67	-5-H--40-B-343--S	69
3RV1021-1BA15	180	-5-F--20--1631--S	62	-5-F--40--1123--S	64	-5-H--40--1011--S	67	-5-H--40-S-219--S	61
3RV1021-1EA10	180	-5-F--20--1701--S	62	-5-F--40--1153--S	64	-5-H--40--1012--S	67	-5-H--41--1019--S	69
3RV1021-1GA10	180	-5-F--20--1703--S	62	-5-F--40--1203--S	64	-5-H--40--1012S3S	67	-5-H--41--1703--S	69
3RV1021-1HA10	180	-5-F--20--1741--S	62	-5-F--40--1211--S	64	-5-H--40--1021--S	67	-5-H--46---114--S	69
3RV1021-1KA10	180	-5-F--20--1752--S	62	-5-F--40--1213--S	64	-5-H--40--1022--S	67	-5-H--46---481--S	69
3RV1021-4AA10	180	-5-F--20--1761--S	62	-5-F--40--1233--S	64	-5-H--40--1022S3S	67	-5-H--46---482--S	69
3RV1021-4AA15	180	-5-F--20--1782--S	62	-5-F--40--1751--S	64	-5-H--40--1031--S	67	-5-H--46---909--C	61
3RV1021-4BA10	180	-5-F--20--1791--S	62	-5-F--40--1761--S	64	-5-H--40--1032--S	67	-5-H--46--1003--S	69
3RV1021-4BA15	180	-5-F--20--1801--S	63	-5-F--40--2783--S	64	-5-H--40--1042--S	67	-5-H--46--1071--S	69
3RV1021-4DA10	180	-5-F--20--1802--S	63	-5-F--40--3442--S	64	-5-H--40--1051--S	67	-5-H--46-A-219--S	61
3RV1031-4EA10	180	-5-F--20--1813--S	63	-5-F--40--3452--S	64	-5-H--40--1052--S	67	-5-H--46-S-219--S	61
3RV1031-4HA10	180	-5-F--20--1822--S	63	-5-F--40--3462--S	64	-5-H--40--1062--S	67	-5-H--46-S-4Fl-1AS	70
3RV1041-4KA10	180	-5-F--20--2263--S	63	-5-F--40--3472--S	64	-5-H--40--1071--S	67	-5-H--60---114--S	69
3RV1421-1CA10	180	-5-F--20--2571--S	63	-5-F--40--3742--S	64	-5-H--40--1072--S	67	-5-H--60---132--S	69
3RV1915-1AB	192	-5-F--20--2653--S	63	-5-F--40--4512--S	64	-5-H--40--1082--S	67	-5-H--60---394--C	70
3RV1915-1BB	192	-5-F--20--2751--S	63	-5-F--40-A-164--S	64	-5-H--40--1083--S	67	-5-H--60---502--S	70
3RV1915-1CB	192	-5-F--20--2843--S	63	-5-F--40-A-219--S	61	-5-H--40--1091--S	67	-5-H--60---507--C	70
3RV1915-1DB	192	-5-F--20--3422--S	63	-5-F--40-A-352--S	65	-5-H--40--1093--S	67	-5-H--60---613--C	70
3RV2011-oKA10	180	-5-F--20--3432--S	63	-5-F--40-S-219--S	61	-5-H--40--1103--S	67	-5-H--60---623--S	70
3RV2011-1JA20	180	-5-F--20--3442--S	63	-5-F--41--1434--S	65	-5-H--40--1113--S	67	-5-H--60--1004--S	69
3RV2011-1KA20	180	-5-F--20--3452--S	63	-5-F--41--1703--S	65	-5-H--40--1121--S	67	-5-H--60--1133--S	69
3RV2021-4AA20	180	-5-F--20--3462--S	63	-5-F--60---4Fl-A	65	-5-H--40--1132--C	67	-5-H--60--1143--S	69
3RV2021-4CA20	179	-5-F--20--3472--S	63	-5-F--60---114--S	65	-5-H--40--1141--C	67	-5-H--60--1153--S	69
3RV2021-4CA20	180	-5-F--20--4942--S	63	-5-F--60---132--S	65	-5-H--40--1142--C	67	-5-H--60--1163--S	69
3RW3026-1BB04	215	-5-F--20--5232--S	63	-5-F--60---172--S	65	-5-H--40--1163--S	67	-5-H--60--1203--S	69
3RW3027-1BB04	176	-5-F--20--5352--S	63	-5-F--60---394--C	65	-5-H--40--1171--S	67	-5-H--60--1213--S	69
3RW3027-1BB04	215	-5-F--20--17112S	62	-5-F--60---401--S	65	-5-H--40--1181--S	67	-5-H--60--1342--S	69
3RW3036-1BB04	176	-5-F--20--660001S	63	-5-F--60---613--S	65	-5-H--40--1191--S	67	-5-H--60--1632--S	69
3RW3036-1BB04	215	-5-F--20--660002S	63	-5-F--60---623--S	65	-5-H--40--1201--S	67	-5-H--60--1681--S	69
3RW3346-oEC34	176	-5-F--20-A-272--C	63	-5-F--60---909--S	61	-5-H--40--1304--S	67	-5-H--60--1714--S	69
3RW3346-oEC34	215	-5-F--20-A-563--S	63	-5-F--60--1004--S	65	-5-H--40--1342--S	67	-5-H--60--1831--S	70
3RW4026-1BB04	215	-5-F--20-A-752--C	63	-5-F--60--1123--S	65	-5-H--40--1361--S	67	-5-H--60---4032-S	70
3RW4027-1BB04	215	-5-F--20-B-103--C	63	-5-F--60--1153--S	65	-5-H--40--1371--S	67	-5-H--60--7192--S	70
3RW4027-2BB04	176	-5-F--20-C-654D-S	61	-5-F--60--1163--S	65	-5-H--40--1401--S	67	-5-H--60-A-219--S	61
3RW4028-1BB04	176	-5-F--20-S-674--S	61	-5-F--60--1173--S	65	-5-H--40--1411--S	67	-5-H--60-C-109--S	61
3RW4037-1BB04	215	-5-F--20-S-684--S	61	-5-F--60--1233--S	65	-5-H--40--1423--S	67	-5-H--60-C-119--S	61
3RW4037-2BB04	176	-5-F--30---132--S	63	-5-F--60--1681--S	65	-5-H--40--1451--S	67	-5-H--60-S-219--S	61
3TF6844-oCF7	168	-5-F--30---333--S	63	-5-F--60--1831--S	65	-5-H--40--1531--S	67	-5-H--66---404--S	61
3TF6944-oCF7	168	-5-F--30---394--C	64	-5-F--60--3792--S	65	-5-H--40--1541--S	67	-5-H--66---562--S	70
3TX7005-1LB00	193	-5-F--30---677--S	64	-5-F--60--660001S	65	-5-H--40--1553--S	67	-5-H--66-A-219--S	61
3UG4511-1AP20	193	-5-F--30---847--S	64	-5-F--60-A-219--S	61	-5-H--40--1621--S	67	-5-H--66-S-219--S	61
3UG4511-2AP20	193	-5-F--30---921--S	64	-5-F--60-C-149--S	61	-5-H--40--1701--S	68	-5-H--80---204--S	70
4AM4342-5AN00-oEA1	190	-5-F--30--1003--S	63	-5-F--60-S-219--S	61	-5-H--40--1711--S	68	-5-H--80---323--S	70
4AM46425MK1010-oFo	190	-5-F--30--1012--S	63	-5-F--61---502--S	65	-5-H--40--1731--S	68	-5-H--80---394--C	70
-5-D--40--1372--S	62	-5-F--30--1831--S	63	05GA-501---414--S	62	-5-H--40--1752--S	68	-5-H--80---502--S	70
-5-F--20---103--C	62	-5-F--30--1844--S	63	05GA-501---762--S	62	-5-H--40--1782--S	68	-5-H--80---507--S	70
-5-F--20---112--S	62	-5-F--30--3442--S	63	05GA-502---282--S	62	-5-H--40--1791--C	68	-5-H--80---562--S	70

In consequence of standards and material evolution, the specifications published on this catalogue are indicative only and commits us only after confirmation by our services. Photos for illustration only

-5-H--80---613--S	70	5H120-C149	58	06BA-500---571--EE	72	-6-D--75---161---E	38	06DA-660---041--S	35
-5-H--80---663--S	70	5H120-C864	58	06BA-500---591--EE	72	-6-D--75---293--S	38	06DA-660---042--S	35
-5-H--80---673--S	70	5H120-C884	58	06BA-500---601--EE	72	-6-D--75---293S1S	38	06DA-660---043--S	35
-5-H--80---821--S	70	5H120-S219	58	06BA-500---612--EE	72	-6-D--75---601--S	38	06DA-660---047--S	35
-5-H--80---853--S	70	-5-H-121--1703--S	66	06BA-500---622--EE	72	-6-D--75---722--S	38	06DA-660---055--S	35
-5-H--80--1242--C	70	-5-H-126---113--S	66	06BA-500---641--EE	72	-6-D--75--1204--S	38	06DA-660---056--S	35
-5-H--80--1242S3S	70	-5-H-126---134--S	66	06BA-500---661EE-A	72	-6-D--75--1722--EE	38	06DA-660---057--C	35
-5-H--80--1632--S	70	5H126-394	58	06BA-500---722--EE	72	-6-D--75--1941--E	38	06DA-660---058--S	35
-5-H--80--1774--S	70	-5-H-126---404--S	61	06BA-500---872--EE	72	-6-D--75--2043-E-W	38	06DA-660---060--S	35
-5-H--80--1794--S	70	-5-H-126---562--S	66	06BA-500---972EE-C	72	-6-D--75--2081--C	38	06DA-660---061--S	36
-5-H--80--1892--S	70	-5-H-126---623--S	66	06BA-500---982EE-C	72	-6-D--75--2153--C-	38	06DA-660---062--S	36
-5-H--80--3672--S	70	5H126-A219	58	06BA-500---992EE-B	72	-6-D--75--2572EE-C	38	06DA-660---063--S	36
-5-H--80--3682--S	70	-5-H-126-A-219--S	61	06BA-501---212--EE	72	06DA-401---782--S	34	06DA-660---064--C	36
-5-H--80--4962--C	70	5H126-C149	58	06BA-501---232--EE	72	06DA-401---842--EE	34	06DA-660---064--C	44
-5-H--80-A-204--S	61	5H126-C864	58	06BA-501---272EE-A	72	06DA-402---133--C	34	06DA-660---065--C	36
-5-H--80-A-219--S	61	5H126-S219	58	06BA-501---282EE-A	72	06DA-402---283--S	34	06DA-660---065--C	44
-5-H--80-S-219--S	61	-5-H-660---005--S	70	06BA-501---292--EE	72	06DA-403---813--S	34	06DA-660---066--S	36
-5-H--81--1551--S	70	-5-H-660---006--S	70	06BA-501---322EE-A	72	06DA-403---844-OEM	73	06DA-660---075--S	36
-5-H--86---404--S	61	05HG-660---004--S	62	06BA-501---332EE-A	72	06DA-404---233--S	34	06DA-660---076--S	36
-5-H--86---562--S	70	05HG-660---005--S	62	06BA-501---352EE-A	72	06DA-404---674R6S	34	06DA-660---078--S	36
-5-H--86-A-219--S	61	05HG-660---006--S	62	06BA-501---412--EE	72	06DA-404---944--S	34	06DA-660---086--S	36
-5-H--86-S-219--S	61	05HG-660---020--S	62	06BA-501---432--EE	72	06DA-408---824--C	34	06DA-660---087--S	36
-5-H-120---4FI-1AS	66	05KA-404---093-OEM	62	06BA-501---532--EE	73	06DA-408---824-OEM	34	06DA-660---088--S	36
-5-H-120---4FI-AS	66	05KA-404---093--S	62	06BA-501---542--EE	73	06DA-500---051--C	34	06DA-660---089--C	36
-5-H-120---150--S	65	5ST3010	173	06BA-501---552--EE	73	06DA-500---061--C	34	06DA-660---090--C	36
-5-H-120---204--S	65	06BA-400---012--EE	71	06BA-501---592--EE	73	06DA-500---512EE-B	34	06DA-660---091--S	36
-5-H-120---252--S	65	06BA-400---013EE-A	71	06BA-501---612--EE	73	06DA-501---032C-D	34	06DA-660---092--C	36
-5-H-120---351--S	66	06BA-400---023EE-A	71	06BA-660---092--EE	73	06DA-502---322--C	34	06DA-660---095--S	36
-5-H-120---502--S	66	06BA-400---032--EE	71	06BA-660---192--EE	73	06DA-502---323--S	34	06DA-660---102--S	36
-5-H-120---507--S	66	06BA-400---033EE-A	71	06BA-660---352--EE	73	06DA-502---333-OEM	34	06DA-660---105--S	36
-5-H-120---524--S	66	06BA-400---072EE-A	71	06BP-450---614--EE	73	06DA-502---342--C	34	06DA-660---108--S	36
-5-H-120---527--S	66	06BA-400---082EE-A	71	06BP-460---012--S	73	06DA-502---343--S	34	06DA-660---111--S	36
-5-H-120---562--S	66	06BA-400---232EE-B	71	06BP-460---613--S	73	06DA-502---763--C	34	06DA-660---115--S	36
-5-H-120---623--C	66	06BA-400---762--EE	71	06BP-460---614--EE	73	06DA-502---903-OEM	34	06DA-660---122--S	36
-5-H-120---732AS	66	06BA-500---001--EE	71	06BP-470---624--EE	73	06DA-502---913-OEM	34	06DA-660---123--S	36
-5-H-120---732--C	66	06BA-500---011--EE	71	-6-D--12--400023EF	37	06DA-502---923--S	34	06DA-660---125--S	36
-5-H-120---782--S	66	06BA-500---012EE-A	71	-6-D--12--660041EE	37	06DA-502---953--C-	34	06DA-660---126--S	36
-5-H-120---794--S	66	06BA-500---031--EE	71	-6-D--23--112--S	37	06DA-502---953-OEM	34	06DA-660---133--S	36
-5-H-120---813--S	66	06BA-500---032--EE	71	6 D 23 122	37	06DA-502---963--C	34	06DA-660---134--S	36
-5-H-120---821--S	66	06BA-500---033EE-A	71	-6-D--23--122--S	37	06DA-502---973-OEM	34	06DA-660---145--S	36
-5-H-120---833--S	66	06BA-500---041--EE	71	-6-D--23--1094--S	37	06DA-502---983--C	34	06DA-660---151--S	36
-5-H-120---837--S	66	06BA-500---042EE-A	71	-6-D--23--1421--C	37	06DA-502---983-OEM	34	06DA-660---152--S	36
-5-H-120---861--S	66	06BA-500---052--EE	71	6-D--24--1094--S	37	06DA-503---013--S	34	06DA-680---053--S	36
-5-H-120---972--S	66	06BA-500---053--EE	71	-6-D--40--103-OEM	37	06DA-503---022-OEM	34	06DA-680---063--S	36
-5-H-120--1072--C	65	06BA-500---073--EE	71	-6-D--40--162--C	37	06DA-503---022--S	34	06DA-680---070--S	36
-5-H-120--1242--C	65	06BA-500---081EE-A	71	-6-D--40--162--C	73	06DA-503---033--S	34	06DA-680---072--S	36
-5-H-120--1242S3S	65	06BA-500---082--EE	71	-6-D--40--1012--C	37	06DA-503---073--C-	34	06DA-900---072--S	36
-5-H-120--1279--S	65	06BA-500---091--EE	71	-6-D--40--1021--C	37	06DA-503---083-OEM	34	06DA3282BA325A--S	32
-5-H-120--1334--S	65	06BA-500---093EE-A	71	-6-D--40--1021-OEM	37	06DA-503---102--S	34	06DA3282BA-365A-S	32
-5-H-120--1354--S	65	06BA-500---101--EE	71	-6-D--40--1031--C	37	06DA-503---262--C	34	06DA5370BA3801--S	32
-5-H-120--1593--S	65	06BA-500---102--EE	71	-6-D--40--1051--C	37	06DA-503---313--S	34	06DA5372BA-065A-S	32
-5-H-120--1643--C	65	06BA-500---111EE-A	71	-6-D--40--1091--E	37	06DA-503---633--C	34	06DA5372BA0657--S	32
-5-H-120--1683--S	65	06BA-500---113EE-B	71	-6-D--40--1112--E	37	06DA-503---643--C	35	06DA8182AA-365A-S	32
-5-H-120--2113--S	65	06BA-500---121--EE	71	-6-D--40--1131-OEM	37	06DA-503---664C--B	35	06DA8252BA315A	32
-5-H-120--2133--S	65	06BA-500---132EE-A	71	-6-D--40--1171--S	37	06DA-503---674C--B	35	06DA8252BA-325A-S	32
-5-H-120--2173--S	65	06BA-500---142EE-A	71	-6-D--40--1181--C-	37	06DA-503---712--C-	35	06DA8252BA-365A-S	32
-5-H-120--2181--S	65	06BA-500---152EE-A	71	-6-D--40--1181-OEM	37	06DA-503---823--S	35	06DD-127---624--S	36
-5-H-120--2191--S	65	06BA-500---162EE-A	71	-6-D--40--1241--C	37	06DA-503---943-OEM	35	06DD-138---624--S	36
-5-H-120--3301--S	65	06BA-500---172EE-A	71	-6-D--40--2163-E-W	37	06DA-504---053--S	35	06DD5370BC0601--S	32
-5-H-120--3341--S	65	06BA-500---181--EE	71	-6-D--40--2543--S	37	06DA-504---113--S	35	06DM3130CA-365A--S	32
-5-H-120--3361--S	65	06BA-500---182EE-A	71	-6-D--40--2553--S	38	06DA-504---123-OEM	35	06DM3160CA365A--S	32
-5-H-120--3381--S	65	06BA-500---192--EE	71	-6-D--43--172--S	38	06DA-504---133--S	35	06DM3370DA365A	32
-5-H-120--3401--S	65	06BA-500---201EE-A	71	-6-D--43--962--S	38	06DA-504---153--S	35	06DM3370DA3857--S	32
-5-H-120--3411--S	66	06BA-500---212--EE	71	-6-D--43--1651--C	38	06DA-504---163--S	35	06DM5377BC1200--S	32
-5-H-120--3441--S	66	06BA-500---231--EE	71	-6-D--43--1661-OEM	38	06DA-504---494--S	35	06DM8080GA-365A-S	32
-5-H-120--3672--S	66	06BA-500---232EE-A	72	-6-D--44--962--S	38	06DA-504---503--S	35	06DM8186AC065A	32
-5-H-120--3682--S	66	06BA-500---242--EE	72	-6-D--45--1072--C	38	06DA-504---513--S	35	06DM8186AC065A	33
-5-H-120--3821--S	66	06BA-500---252--EE	72	-6-D--48--122--C	38	06DA-504---614-OEM	35	06DM8187AC0600--S	32
-5-H-120--4452--S	66	06BA-500---261--EE	72	-6-D--48--303--S	38	06DA-504---614--S	35	06DM8187AC1200--S	32
-5-H-120--4492--S	66	06BA-500---271--EE	72	-6-D--48--403--S	38	06DA-504---794--C	35	06DR0130CA-365A--S	32
-5-H-120--4502--S	66	06BA-500---291--EE	72	-6-D--48--1072--C	38	06DA-504---874--S	35	06DR-660---026--S	36
-5-H-120--4512--S	66	06BA-500---301--EE	72	-6-D--63--122--S	38	06DA-504---884--S	35	06DR-660---027--S	36
-5-H-120--4522--S	66	06BA-500---311--EE	72	-6-D--68--1023-E-W	38	06DA-507---452-OEM	35	06DR-660---028--S	37
-5-H-120--4552--S	66	06BA-500---321--EE	72	-6-D--68--1024-E-W	38	06DA-507---564--S	35	06DR-660---029--S	37
-5-H-120--4602--S	66	06BA-500---331--EE	72	-6-D--68--1274-E-A	38	06DA-507---674-OEM	35	06DR-660---030--S	37
-5-H-120--4612--S	66	06BA-500---341--EE	72	-6-D--68--1442--S	38	06DA-508---284--S	35	06DR-660---031--S	37
-5-H-120--4642--S	66	06BA-500---351--EE	72	-6-D--68--1491-OEM	38	06DA-508---304-OEM	35	06DR-660---034--S	37
5H120-A194	58	06BA-500---361--EE	72	-6-D--68--1621--S	38	06DA-508---304--S	35	06DR-660---037--S	37
-5-H-120-A-204--S	61	06BA-500---391--EE	72	-6-D--68--2153--S	38	06DA-508---424--S	35	06DR-660---040--S	37
5H120-A219	58	06BA-500---412--EE	72	-6-D--73--122--S	38	06DA-508---654--S	35	06DR-660---047--S	37
-5-H-120-A-773--S	66	06BA-500---431--EE	72	-6-D--73--1971--E	38	06DA-508---684--S	35	06DR-660---051--S	37
-5-H-120-B-283--S	66	06BA-500---451--EE	72	-6-D--73--2241-OEM	38	06DA-605---604--S	35	06DR-660---053--S	37
-5-H-120-B-323--S	66	06BA-500---512--EE	72	-6-D--75---122--S	38	06DA-605---614--S	35	06DR1090GA365A	32

06DR2280DA365A	32	06EA-500---661--S	45	06EA-660---105--C	46	06NA-660---001--S	51	06TT-660---043--S	54
06DR3160CA-365A-S	33	06EA-500---672--C	45	06EA-660---107--S	46	06NA-660---002--S	51	06TT-660---044--S	54
06DR3160CA367A--S	33	06EA-500---682--C	45	06EA-660---108--S	47	06NA-660---003--S	51	06TT-660---052--S	54
06DR3370DA-325A-S	33	06EA-500---692EE-A	45	06EA-660---109--S	47	06NA-660---004--S	51	06TT-660---057--S	54
06DR3370DA-365A-S	33	06EA-500---702EE-A	45	06EA-660---110--S	47	06NA-660---005--S	51	06TT-660---058--S	54
06DR3370DC325A	33	06EA-500---712EE-A	45	06EA-660---111--S	47	06NA-660---007--S	51	06TT660050	54
06DR5410DA-065A-S	33	06EA-500---712--S	45	06EA-660---112--S	47	06NA-660---008--S	51	06TTA266SP1C	53
06DR7180DA325A	33	06EA-500---742--EE	45	06EA-660---125--C	47	06NA-660---009--S	51	06TTA301SS1C	53
06DR7180DA-365A--S	33	06EA-500---752--EE	45	06EA-660---127--C-	47	06NA-660---010--S	51	06TTA356SS1C	53
06DR7250DA-315A--S	33	06EA-500---752--EE	73	06EA-660---135--S	37	06NA-660---011--S	51	06TTP94H24	54
06DR7250DA-365A	33	06EA-500---782--EE	45	06EA-660---135--S	47	06NA-660---012--S	51	06TTS94H24	54
06DR8200DA-365A-S	33	06EA-500---832--S	45	06EA-660---137--S	47	06NA-660---013--S	51	06TT----W266SM1D-	53
06DS5376BC365ARP	33	06EA-500---842--EE	45	06EA-660---138--S	47	06NA-660---015--S	51	06TT----W301SM1D-	53
06DS5376BC1200--S	33	06EA-501---012--C	45	06EA-660---139--S	47	06NA-660---017--S	51	06TT----W356SP1D-	53
06DS8246BC365ARP	33	06EA-501---182--C	45	06EA-660---141--S	47	06NA-660---018--S	51	06TUA483SW1C	53
06DX-127---624--S	37	06EA-501---253-OEM	73	06EA-660---143--S	47	06NA-660---019--S	51	06TUA483SW1C-	53
06DX-127---634--S	37	06EA-501---302--S	45	06EA-660---144--S	47	06NA-660---020--S	51	06TUA483TW1C	53
06DX-138---624--S	37	06EA-501---352--C-	45	06EA-660---145--S	47	06NA-660---021--S	51	06TUA483WW1C	53
06DX3286BC065A	33	06EA-501---362-OEM	45	06EA-660---147--S	47	06NA-660---022--S	51	06TUA554SW1C	53
06DX3287BC0600--S	33	06EA-501---363--C	45	06EA-660---151--S	47	06NA-660---023--S	51	06TUA554SW1C-	53
06DX3376BC0600--S	33	06EA-501---372C--A	45	06EA-660---152--S	47	06NA-660---024--S	51	06TUW96H24	54
06DX5376BC065A	33	06EA-501---382--C-	45	06EA-660---156--S	47	06NA-660---025--S	52	06TUW483ST1C	53
06DX5376BC1200--S	33	06EA-501---382-OEM	45	06EA-660---157--S	47	06NA-660---026--S	52	06TVW680SW1C-	53
06DX5376BD1500--S	33	06EA-501---513--C	45	06EA-660---159--S	47	06NA-660---027--S	52	06TVW753SW1C-	53
06DX7246AC065A	33	06EA-501---543--C	45	06EA-660---161--EE	47	06NA-660---028--S	52	06TVW819SW1C-	53
06DX8246AC065A	33	06EA-501---563--C	45	06EA-660---164--S	47	06NA-660---032--S	52	8TA0059C	54
06DX8246BC065A	33	06EA-501---563-OEM	45	06EA-660---165--S	47	06NA-660---036--S	52	8TA0142C	54
06EA-400---252--C	44	06EA-501---643--S	45	06EA-660---166--S	47	06NA-660---037--S	52	8TA0868B	54
06EA-400---733--S	44	06EA-501---803--S	45	06EA-660---167--S	47	06NA-660---038--S	52	8TA0869B	55
06EA-400---982--C-	44	06EA-501---853--S	45	06EA-660---168--S	47	06NA-660---040--S	52	8TA0870B	55
06EA-401---392-OEM	44	06EA-501---973--S	45	06EA-660---391--EE	47	06NA-660---041--S	52	8TA0896B	55
06EA-401---993--S	44	06EA-502---023--C-	45	06EA-680---036--S	47	06NA-660---042--S	52	8TB0220	55
06EA-402---003--S	44	06EA-502---023-OEM	45	06EA-900---023--S	47	06NA2146-S---7EAC	50	8TB0224	55
06EA-402---013--S	44	06EA-502---064--S	45	06EA500763	45	06NA2146-S---7NAC	50	8TB0233	55
06EA-402---273--S	44	06EA-502---074--S	45	06EA500773	45	06NA2174-S---7EAC	50	8TB0398	55
06EA-402---403--S	44	06EA-502---084--S	45	06ED-412---012--EE	47	06NA2174-S---7NAC	50	8TB0399	55
06EA-402---632--S	44	06EA-502---223--S	46	06ED-490---012--EE	47	06NA2209-S---7EAC	50	8TB0462	55
06EA-404---304--C	44	06EA-502---224--S	46	06ED-490---614--S	47	06NA2209-S---7NAC-	50	8TB0670	55
06EA-404---944--C-	44	06EA-502---453--S	46	06EG490613EE	47	06NA2250-S---7EAC	50	8TB0676	55
06EA-406---774--S	44	06EA-502---523--S	46	06EP-410---614--EE	47	06NA2250-S---7NAS	50	8TB0702	55
06EA-500---031--C-	44	06EA-502---553--S	46	06EP-412---114--EE	47	06NA2300-S---5EAC-	50	8TB0708	55
06EA-500---044C--W	44	06EA-502---573--S	46	06EP-412---614--EE	47	06NA2300-S---5NAC-	50	8TB0711	55
06EA-500---052--S	44	06EA-502---662--S	46	06EP-412---814--EE	47	06NW2146-S---7NAC	50	8TB0878	55
06EA-500---073--C-	44	06EA-503---304--C	46	06EP-445---012--C	47	06NW2174-S---7NAC-	50	8TB0883	55
06EA-500---082--C-	44	06EA-503---314--C	46	06EP-445---614--EE	47	06NW2209-S---7EAC-	50	8TB0884	55
06EA-500---094C--W	44	06EA-503---334--C	46	06EP-460---614--EE	47	06NW2209-S---7NAC-	50	8TB0923	55
06EA-500---101--C	44	06EA-503---342-OEM	46	06EP-475---614--EE	47	06NW2250-S---7EAC-	50	8TB0928	55
06EA-500---101--EE	44	06EA-503---342--S	46	06EP-490---114--EE	47	06NW2250-S---7NAC	50	8TC0047C	55
06EA-500---101-OEM	44	06EA-503---524C--A	46	06EP-490---613--EE	47	06NW2300-S---5EAC	50	8TC0048C	55
06EA-500---111--C	44	06EA-504---514--S	46	06EP-660---614--E	47	06NW2300-S---5NAC-	50	8TC0053C	55
06EA-500---111--EE	44	06EA-504---524-OEM	46	06ER-660---007--S	47	06NZJ23H09	52	8TC0070C	55
06EA-500---122EE-B	44	06EA-504---524--S	46	06ER-660---009--S	47	06NZK23H09	52	8TC0109C	55
06EA-500---131--S	44	06EA-504---914--C	46	06ER-660---013--S	47	06NZM23H09	52	8TC0137C	55
06EA-500---132EE-A	44	06EA-505---004--S	46	06ER-660---014--S	48	06NZP23H09	52	8TC0166C	55
06EA-500---141--S	44	06EA-505---014--S	46	06ER-660---015--S	48	06NZQ23H09	52	8TC0167C	55
06EA-500---153--C	44	06EA-505---122-OEM	46	06ER-660---016--S	48	06NZR23H09	52	8TC0418C	55
06EA-500---181--S	44	06EA-505---224--C-	46	06ER-660---017--S	48	06NZS23H09	52	8TC1047	55
06EA-500---211--C	44	06EA-506---324--S	46	06ET-150---66ERCD	43	06NZU23H09	52	8TD0075D	55
06EA-500---214--C	44	06EA-506---334--S	46	06ET-150---621DCEE	43	06NZW23H09	52	8TD0124C	55
06EA-500---233--C-	44	06EA-506---344--S	46	06ET-175---66ERCD	43	06QA-400---521--EE	73	8TR0357	55
06EA-500---233-OEM	44	06EA-506---414--S	46	06ET-175---621DCEE	43	06TA-660---001--S	54	8TR0358	55
06EA-500---241EE-A	44	06EA-506---684--S	46	06ET-175-A-621DCEE	43	06TA-660---004--S	54	8TS0618	55
06EA-500---251EE-A	44	06EA-601---052--C	46	06ET-199---621DCEE	43	06TA-660---007--S	54	8TS0709	55
06EA-500---261EE-A	44	06EA-601---113--C	46	06ET-199-A-621DCEE	43	06TA-680---008--S	54	8TS0722	55
06EA-500---262--C	44	06EA-601---572--C	46	06ET-250---66ARPS	43	06TSA155SJ1C	53	8TS0835	55
06EA-500---302--C	44	06EA-660---026--S	46	06ET-250---66ERCD	43	06TSA186SJ1C	53	8TS0836	55
06EA-500---312--C	44	06EA-660---034--S	46	06ET-250---621DCEE	43	06TSJ95H24	54	8TS1710	55
06EA-500---314--S	44	06EA-660---051--C	46	06ET-265---66ERCD	43	06TT-660---001--S	54	8TS1711	56
06EA-500---321-OEM	44	06EA-660---057--C-	46	06ET-265---621DCEE	43	06TT-660---002--S	54	8TS1713	56
06EA-500---321S2-S	44	06EA-660---071--C	46	06ET-275---66ERCD	43	06TT-660---003--S	54	8TT0605	56
06EA-500---331-OEM	44	06EA-660---071--S	46	06ET-275---621DCEE	43	06TT-660---004--S	54	8TT0608	56
06EA-500---331S2-S	45	06EA-660---079--C-	46	06ET-275-A-621DCEE	43	06TT-660---011--S	54	8TT0609	56
06EA-500---332--EE	45	06EA-660---085--S	46	06ET-299---66ERCD	43	06TT-660---019--S	54	8TT0611	56
06EA-500---341--C	45	06EA-660---086--S	46	06ET-299---621DCEE	43	06TT-660---027--S	54	8TT0612	56
06EA-500---342--EE	45	06EA-660---087--S	46	06ET-299-A-621DCEE	43	06TT-660---033--S	54	8TT0710	56
06EA-500---351--C	45	06EA-660---089--S	46	06EX-412---314--S	48	06TT-660---034--S	54	8TT0732	56
06EA-500---352-OEM	45	06EA-660---090--S	37	06EX-412---654--S	48	06TT-660---035--S	54	8TT0817	56
06EA-500---362C--A	45	06EA-660---090--S	46	06EX-460---314--S	48	06TT-660---036--S	54	8TT0818	56
06EA-500---371--S	45	06EA-660---091--S	46	06EX-460---654--S	48	06TT-660---037--S	54	8TT1114	56
06EA-500---392-E-C	45	06EA-660---095--S	46	06EX-475---314--S	48	06TT-660---038--S	54	8TT1115	56
06EA-500---404--EE	45	06EA-660---096--S	46	06EX-475---654--S	48	06TT-660---039--S	54	8TT1121	56
06EA-500---422--S	45	06EA-660---100--C	46	06EX-490---314--S	48	06TT-660---040--S	54	8TT1123	56
06EA-500---514--S	45	06EA-660---104--S	46	06EX-490---654--S	48	06TT-660---042--S	54	8TT1124	56

In consequence of standards and material evolution, the specifications published on this catalogue are indicative only and commits us only after confirmation by our services. Photos for illustration only

8TT1131	56	30RA-411---382--EF	129	32GB-403---884--S	75	42EL500022M	114	157AS00157	136
8TT1132	56	30RA-500---612--EE	118	32GB-403---894--S	75	42EL500032M	114	157AS00177	136
8TT1134	56	30RA-500---652--EE	122	32GB-403---904--S	75	42EL500082M	151	157AS00207	136
8TT1185	56	30RA-501---122EE-A	140	32GB-403---914--S	75	42EL500302M	114	157AS00207	136
8TT1191	56	30RA-504---442--EF	140	32GB-404---034--S	75	42EL500522M	114	-----470EE-1	248
8TT1683	56	30RA-506---572--EB	117	32GB-404---154--C	75	42EL500532M	114	-----477--EE	248
8TU0619	56	30RA-506---582--EB	117	32GB-404---164--C	76	42EM500252M	114	520SiEs	250
8TU0620	56	30RA-506---602--EB	117	32GB-404---174--C	76	42EM500262M	114	530SNB200	250
8TU0621	56	30RA-506---672--EE	140	32GB-404---234--S	76	42EM500272M	114	530SNES200	250
8TU0622	56	30RA-506---682--EE	140	32GB-404---264--S	76	42EM500312M	151	534SNB200	250
8TU0623	56	30RA-506---692--EE	140	32GB-404---424--S	76	42EM500322M	151	534SnEs	250
8TU0624	56	30RA-506---712--EE	122	32GB-404---454--C	76	42EM502072M	153	534SNES200	250
8TU0720	56	30RA-507---142--EB	117	32GB-404---464--C	76	42EM502082M	153	540SNB200	250
8TU0843	56	30RA-507---152--EB	117	32GB-404---474--C	76	42EM503182M	114	540SnEs	250
8TU0844	56	30RA-509---302--EF	140	32GB-404---484--C	76	42EM503192M	114	540SNES200	250
8TU1337	56	30RA-509---372--EB	121	32GB-404---504--C	76	42EM503202M	114	545SNB200	250
8TU1343	56	30RA-511---552--EF	117	32GB-404---544--C	76	42EM503522M	151	545SnEs	250
8TU1344	56	30RA-511---562--EF	121	32GB-500---034--C	208	42EM504122MB	113	545SNES200	250
8TU1542	56	30RA-900---000--EE	222	32GB-500---044--S	208	42EM500832M	112	556SNB200	250
8TU1609	56	30RA-900---102--EE	222	32GB-500---062--EF	212	42GR500134M	113	556SNES200	250
8UC7313-1BB30	187	30RH-500---912--EE	140	32GB-500---082--EF	212	42GR501622M	152	-----627--EE	261
10HX-500---582EE-F	52	30RH-501---252--EE	140	32GB-500---092--EF	212	42GR504002M	112	3030/44C/160	95
023Z0031	147	30RH-501---262--EF	140	32GB-500---102--EF	212	42GR505152M	113	3030/44C/210	95
023Z4589	147	30RW-500---012--EB	117	32GB-500---112--EF	212	42KG5B5013A	150	3030/44C/245	95
30GB-509---152--C	208	30RW-500---032--EE	118	32GB-500---122--EF	212	42KP5A3013	150	3030/44C/340	95
30GH-422---242--EE	216	30RW-500---052--EE	122	32GB-500---132--EF	212	060B2007	162	3030/66C/150	95
30GH-422---252--EE	216	30RW-500---052--EF	121	32GB-500---182--EF	212	060B2058	162	3030/66C/170	95
30GH-422---532--EE	216	30RW-505---432--EF	117	32GB-500---192--EF	212	067L2070	83	3030/66C/185	95
30GK-401---392--EE	140	30RW-505---442--EF	121	32GB-500---254--S	208	067N4097	83	3030/66C/245	95
30GK-401---402--EE	140	30RW-505---452--EF	121	32GB-500---362--EF	213	068H7171	83	3030/66C/280	95
30GT-409---069--C	211	30RW-900---002--E	222	32GB-500---372--EE	212	99CC-501---052--S	101	3030/88C/245	95
30GT-660---018--S	162	30RY-500---002--EE	118	32GB-500---372--EE	213	99CC-502---363--S	101	3060/34C/320	95
30GX-404---952--EE	52	30RY-500---672--Ef	140	32GB-500---382--EE	214	99CC-502---443--S	101	3060/45C/165	95
30GX-417---132--EC	137	032F1172	91	32GB-500---392--EE	213	99CM-403---222--EE	211	3060/45C/280	95
30GX-428---322EE-A	140	032F1188	91	32GB-500---402--EE	212	99CM-403---232--EE	211	3060/46C/245	95
30GX-428---332EE-A	140	032F1189	91	32GB-500---422--EE	210	99CM-403---242--EE	211	3060/46C/250	95
30GX-428---342EE-A	140	032F1190	91	32GB-500---422--EE	214	99CM-403---252--EE	211	3060/46C/300	95
30GX-430---752EE-A	140	032F8072	91	32GB-500---432--EE	210	99CM-403---632--EE	211	-----15020--TTL	248
30GX-430---762--EA	140	032F8107	91	32GB-500---432--EE	214	99CM-403---642--EE	211	000000000000025421	178
30GX-430---772--EE	137	32GB-400---754--C	74	32GB-500---442--EE	210	99CM-403---652--EE	211	000000000000025507	178
30GX-430---782--EE	137	32GB-400---764--C	74	32GB-500---472--EE	212	99CM-403---662--EE	211	000000000000025508	178
30GX-430---842--EE	140	32GB-400---784--C	74	32GB-500---734--C	208	99CM-403---672--EE	211	000000000000025509	178
30GX-434---422--EF	74	32GB-402---384--C	74	32GB-660---005--S	208	99QM-803DE-050--EE	220	000000000000028908	188
30GX-434---412--EE	74	32GB-402---394--C	74	32GB-660---012--S	210	99QM-803DE-051--EE	220	000000000000028910	188
30GX-434---422--EF	74	32GB-402---404--C	74	32LT-660---001--S	216	99QM-803DE-052--EE	220	000000000000028912	188
30GX-434---432--EF	74	32GB-402---414--C	74	32LT-660---004--C	216	99QM-803FI-050--EE	220	000000000000028941	188
30GX-434---442--EF	74	32GB-402---424--C	74	32LT-660---005--C	216	99QM-803FI-051--EE	220	000000000000028962	188
30GX-434---452--EF	74	32GB-402---434--S	74	32LT-660---006--S	216	99QM-803FI-052--EE	220	000000000000031102	188
30GX-434---462--EF	74	32GB-402---504--S	74	32MP-500---354--S	54	99QM-803FR-050--EE	220	0150106H01	127
30GX-434---472--EF	74	32GB-402---524--S	74	33CN-ETHER	222	99QM-803FR-051--EE	220	0150404H40	88
30GX-525---832EE-A	139	32GB-402---534--C	74	33CNTRAN485	222	99QM-803FR-052--EE	220	0150404H41	87
30GX-525---842--EE	139	32GB-402---544--C	74	33CNTRANLON	222	99QM-803GB-050--EE	220	0150404H42	87
30GX-528---722ee-A	139	32GB-402---554--C	74	35BD530542M	151	99QM-803GB-051--EE	220	0150404H43	88
30GX-584---132--EE	139	32GB-402---564--C	74	38AQ-680---001--S	37	99QM-803GB-052--EE	220	0150404H59	87
30GX-584---142--EE	139	32GB-402---574--C	75	38AQ-680---001--S	48	99QM-803GR-050--EE	220	0150404H60	86
30GX-660---004--S	137	32GB-402---584--C	75	39FZ-462---992--EE	155	99QM-803GR-051--EE	220	0150404H62	88
30GX-660---006--S	209	32GB-402---594--C	75	39FZ-463---002--EE	155	99QM-803GR-052--EE	220	0150404H63	87
30HR-404---113EE1	138	32GB-402---604--C	75	39FZ-466---292--EE	154	99QM-803IT-050--EE	220	0150404H83	88
30HR-404---203--EE1	138	32GB-402---614--C	75	39FZ-466---302--EE	154	99QM-803IT-051--EE	220	0150404H89	88
30HT-512---392--EE	209	32GB-402---674--S	75	39FZ-588---732--EE	155	99QM-803IT-052--EE	220	0150404H90	88
30HX-410---332--EE	137	32GB-402---704--C	75	39FZ-588---742--EE	155	99QM-803NL-050--EE	220	0150404H91	88
30HX-412---302EE-A	93	32GB-403---094--S	75	41EA-500---552--EE	153	99QM-803NL-051--EE	220	0150404H92	88
30HX-412---312EE-A	93	32GB-403---104--S	75	41EC-500---372--EE	153	99QM-803NL-052--EE	220	0150404H97	87
30HX-412---322EE-A	93	32GB-403---114--S	75	41MC500222M	151	99QM-803PT-050--EE	220	0150404X32	88
30HX-415---602--EF	93	32GB-403---124--S	75	41PS-501---062--EE	153	99QM-803PT-051--EE	220	0150404X33	87
30HX-415---612--EF	74	32GB-403---134--S	75	41TB-500---442--EE	153	99QM-803PT-052--EE	220	0150404X34	88
30HX-415---622--EF	74	32GB-403---144--S	75	42BJ450312MA	113	99QM-803SE-050--EE	220	0150404X58	87
30HX-415---632--EF	74	32GB-403---154--S	75	42BJ510002M	152	99QM-803SE-051--EE	220	0150404X61	86
30HX-415---642--EF	74	32GB-403---164--S	75	42BJ510012M	152	99QM-803SE-052--EE	220	0150404X64	87
30HX-900---032--E	124	32GB-403---174--S	75	42BJ510022M	151	99QM-803SP-050--EE	220	0150408H48	83
30HX-900---042--E	124	32GB-403---184--S	75	42BJ510032M	153	99QM-803SP-051--EE	220	0150408H49	83
30HX-900---052--E	124	32GB-403---194--S	75	42BJ510562M	153	99QM-803SP-052--EE	220	0150408H53	83
30HX-900---062--E	124	32GB-403---204--S	75	42BJ512012M	112	102B200	251	0150408H54	83
30HX-900---102--E	124	32GB-403---224--S	75	42BJ513392MG	153	105B200	251	0150408H55	83
30HZ-402---252--EF	74	32GB-403---234--S	75	42BJ513442MB	112	115B200	251	0150412X32	90
30HZ-402---262--EF	74	32GB-403---244--S	75	42BJ513452MD	112	-----150-5-TTL	248	0150412X46	90
30HZ-402---302--EE	74	32GB-403---254--S	75	42BJ513992MA	112	157AS00001	135	0150425H07	86
30HZ-402---312--EF	74	32GB-403---264--S	75	42BJ514362M	112	157AS00002	135	0150425H08	86
30HZ-402---322--EF	74	32GB-403---274--S	75	42BJ514382M	112	157AS00005	136	0150425H09	86
30HZ-402---332--EE	74	32GB-403---284--S	75	42BJ515002M	151	157AS00008	135	0150425H23	87
30HZ-402---342--EE	74	32GB-403---824--S	75	42BJ573312M	112	157AS00009	135	0150425H24	87
30HZ-402---362--EE	74	32GB-403---844--S	75	42CE500302M	151	157AS00031	136	0150711X61	150
30RA-411---312--EE	129	32GB-403---854--S	75	42CE500312M	151	157AS00054	136	0150711X62	150

0150711X63	150	0353101X62	199	0460106H12	133	AM013536	146	CF12GT065EE	130
0150711X64	150	0353101X63	199	0460106H18	133	AM013540	146	CF12GU100EE	130
0150711X82	156	0353101X64	199	0460106H19	133	AM031684	21	CF12GV065EE	130
0150711X83	156	0353101X65	199	0460106H20	133	AM031684	22	CF12GV095EE	130
0150711X84	156	0353101X68	198	0460106H25	133	--AS--12CB-012--EE	73	--CF--12GY-030--EE	130
0150711X85	150	0353101X73	198	0460106H26	133	ATV21HU15N4	217	--CF--12GY-050--EE	130
0150711X86	150	0353101X74	199	0460106H27	133	ATV21HU22N4	217	--CF--12GY-100--EE	130
0150722X03	156	0353101X76	199	0460106H28	133	ATV21HU30N4	217	--CF--12GY-120--EE	130
0150722X04	156	0353101X78	199	0602008-	161	--AU--35QA-272--S	101	--CT--12DA-099--EE	170
0150722X05	156	0353101X80	199	0602051-	161	B032774H01	105	--CT--12DA-129--EE	170
0150722X06	156	0353101X87	198	0602054-	161	B032776H01	105	--CT--12DA-169--EE	170
0150722X19	156	0353101X89	199	0602058-	161	B033098H01	105	--CT--12DA-259--EE	170
0150722X20	156	0353102H04	200	0602059-	161	B033262H01	150	--CT--12DA-403--EE	170
0150722X21	156	0353102H19	200	000000000000801013	34	B033263X01	150	--CT--12DA-503--EE	170
0170701H13	125	0353102H20	200	801013	44	B034016H03	133	--CT--12DA-603--EE	170
0170701H14	125	0353102H21	200	801064	44	B034016H04	133	--CT--12DA-803--EE	170
0170701H15	125	0353102X02	200	000000000000801162	92	B034447H01	115	--CT--12SA-099--EE	169
192013.280	215	0353102X03	200	000000000000801163	92	B034456H01	115	--CT--12SB-099--EE	170
192013.281	215	0353102X06	200	000000000000871200	175	B034507H01	115	--CT--12SB-129--EE	170
0351406H42	181	0353102X07	200	000000000006110282	182	B034508H01	115	--CT--12SB-169--EE	170
0351406H44	181	0353102X08	200	7754018	247	B034510H01	115	--CT--12SB-259--EE	170
0351406H59	189	0353102X09	200	7754023	247	B035447H01	133	--CT--12SB-403--EE	170
0351406X40	181	0353102X13	200	7754024	247	B035865H01	105	--CT--12SB-503--EE	170
0351501H44	203	0353102X14	200	000000000013875201	153	B036087H01	133	--CT--12SB-603--EE	170
0351501H50	203	0353102X15	200	000000000013879904	153	B036087H02	133	--CT--12SB-803--EE	170
0351501H54	203	0353102X18	200	13879904-437592520	153	B036087H07	133	--CT--12XA-011--EE	174
0351501H59	203	0353103H03	201	13879904-592287520	153	B036087H09	133	--CT--12XA-013--EE	174
0351501H60	203	0353103H04	201	000000000014720017	153	B036087H10	134	--CT--12XA-022--EE	174
0351501H65	203	0353103H05	201	14742300	152	B036428H01	105	--CT--12XA-040--EE	174
0351501H66	203	0353103H09	201	14742400	152	B036874H01	154	--CW--00AL-122--EE	171
0351801X83	197	0353103H10	201	14743800	152	B036874H02	154	--CW--00AL-160--EE	171
0351801X93	171	0353103H12	201	000000000200002532	157	--BA--12LA-001--EE	123	--CW--00AL-279--EE	171
0351802H98	171	0353103H17	201	000000000200002534	157	--BA--12LA-002--EE	123	--CW--00AL-725--EE	171
0351802X47	197	0353103H22	201	000000000200004585	154	--BA--12LA-003--EE	123	--CW--12AF-002--EA	172
0351804H30	171	0353103H25	201	000000000200004651	153	--BA--12LA-004--EE	123	--CW--12AF-602--EA	172
0351804H56	197	0353103H26	201	000000000200004652	153	--BA--12LA-005--EE	123	--CW--12AL-019--EE	171
0351804H58	197	0353103X15	201	000000000200013378	153	--BA--12LA-006--EE	123	--CW--12AL-022--EE	171
0351804H62	171	0353103X18	201	000000000200013379	154	--BA--12LA-007--EE	123	--CW--12AL-025--EE	171
0351804X19	171	0353103X19	201	000000000200032976	157	--BA--12LA-008--EE	123	--CW--12AL-034--EE	171
0351811H21	172	0353103X20	201	000000000200032977	157	--BA--12LA-009--EE	123	--CW--12AL-040--EE	171
0351901H44	191	0370620H07	20	000000000200032978	157	BLANC 9010	261	--CW--12AL-060--EE	171
0351901H50	191	0370620H07	22	000000000200032979	157	--BM--12GA-018--EE	52	--CW--12AL-064--EE	171
0351901X29	191	0370620H08	20	000000000200046888	157	C020438H03	150	--CW--12AL-079--EE	171
0351901X41	191	0370620H08	22	000000000200046889	157	C023554G01	150	--CW--12AL-090--EE	171
0351901X43	191	0370620H10	21	000000000200046890	157	C024160H01	150	--CW--12AL-619--EE	171
0351901X46	191	0370620H10	22	000000000200046891	157	C024161H01	150	--CW--12AL-622--EE	171
0352015X29	106	0370620H14	21	000000000200046892	157	C024162H01	150	--CW--12AL-625--EE	171
0352015X39	106	0370620H14	22	000000000200046893	157	C024318H01	111	--CW--12AL-634--EE	171
0352015X43	106	0370620H16	20	000000000200046894	157	C024320H01	111	--CW--12AL-640--EE	171
0352015X58	106	0370620H16	22	000000000200046895	157	C024321H01	111	--CW--12AL-660--EE	171
0352015X59	106	0370620H20	21	10321111001R	150	C024322H01	111	--CW--12BE-001--EE	171
0352015X68	106	0370620H20	22	000000033160040017	83	C024323H01	111	--CW--12BE-002--EE	171
0352015X69	106	0370620H25	20	51300911500	150	C024324H01	111	--CW--12BE-003--EE	171
0352207X15	159	0370620H25	22	000000051300912600	150	C024325H01	111	--CW--12BE-005--EE	171
0353101H05	198	0370620H26	22	000000057090020007	215	C024465H01	106	--CW--12BE-015--EE	171
0353101H07	198	0370620H27	22	A205643	182	C024465H02	106	--CW--12BE-016--EE	171
0353101H17	199	0370620H27	20	--AA--12AW-202--EE	73	C024525H01	120	--CW--12BE-017--EE	171
0353101H19	198	0370620H28	20	--AA--12AW-237--EE	73	C024526H01	120	--CW--12BE-018--EE	171
0353101H20	198	0370620H28	20	--AA--12AW-268--E-	73	C025629G01	115	--CW--12XA-031--EA	175
0353101H21	198	0370620H29	20	--AA--12AW-299--E-	73	C025629H12	105	--CW--12XC-001--EE	175
0353101H25	198	0370620H29	20	--AA--12AW-309--E-	73	C025664H01	105	--CW--12XC-002--EE	175
0353101H34	198	0370620H30	20	--AA--12BC-233--E-	73	C025665G01	105	--CW--12XC-002--EE	175
0353101H53	198	0370620H30	20	--AA--12BC-266--EE	73	C025665H12	105	--CW--12XL-001--EE	175
0353101H59	198	0370620H31	22	AA-UNIVERSAL-KIT	249	CA2SK20B7	174	--CW--12XL-001--EE	181
0353101H72	198	0370620H31	20	ABL6TS16B	191	--CA--63AA-051--S	73	--CW--12XL-010--EE	175
0353101H86	199	0370620H32	20	ABL6TS25B	191	--CA--64AA-001--S	73	--CW--12XL-010--EE	181
0353101H93	198	0370620H32	20	--AE--12AA-016--EE	73	--CA--64AM-225--S	73	--CW--12XL-901--EE	175
0353101H94	198	0370620H32	22	AF24	207	--CA--64AT-051--S	73	--CW--12XL-901--EE	181
0353101X04	198	0370620H51	20	AF24-S	207	--CB--12DE-016--EE	210	--CY--12AK-150--EE	189
0353101X11	199	0370620H61	20	AF24-SR	207	CB60-60HF	134	--CY--12AK-152--EE	189
0353101X12	199	0370620H61	22	AF24-SR-S	207	CECO120803-02	209	--CY--12AK-153--EE	189
0353101X13	199	0370620H63	20	AF230	207	CEPL130085-01	210	--CY--12AK-155--EE	189
0353101X14	199	0370620H63	22	AF230-S	207	CESO110021-00	221	--CY--12AK-156--EE	189
0353101X16	199	0370620H64	20	AFR24-S	207	CESO110031-00	221	--CY--12AK-206--EE	189
0353101X30	198	0370620H65	20	AFR230-S	207	CESO110053-00-S	221	--CY--12AK-208--EE	189
0353101X31	198	0370620H65	22	--AH--12AA-003--EE	73	CESO110059-00-S	221	--CY--12AK-280--EE	189
0353101X32	198	0370620H68	21	--AH--12MA-002--EE	228	CESO110060-00	221	--CY--12AK-305--EE	175
0353101X44	198	0370620H69	22	--AH--12MA-004--EE	228	CESO110063-02-S	221	--CY--12AK-305--EE	181
0353101X50	199	0370620H69	21	--AH--12MA-005--EE	228	CESO110065-01	221	--CY--12AK-405--EE	175
0353101X51	199	0370620H70	22	--AH--12MB-002--EE	228	CESO110068-02	221	--CY--12RB-017--EE	210
0353101X52	199	0370620H70	21	--AH--12MB-004--EE	228	CESO121319-01	221	--CY--12RB-018--EE	210
0353101X56	199	0460106H02	133	--AI--12MB-005--EE	228	CESO130045	221	--CY--12WA-001--EE	125
				--AI--12AA-003--EE	73	CF12GS100EE	130	--CY--12WA-003--E-	125

In consequence of standards and material evolution, the specifications published on this catalogue are indicative only and commits us only after confirmation by our services. Photos for illustration only

--CY--12WA-005--EE	125	--DQ--12AL-002EE1	18	--DQ--12CA-015--E-	17	--EK--02KK-105--C	96	--FL--12JA-050--EE	177
--CY--12WA-007--EE	125	--DQ--12AL-005EE1	17	--DQ--12CA-015--E-	18	--EK--41JK-101--C	96	--FL--12JA-052--EE	177
D017812X01	150	--DQ--12AL-005EE1	18	--DQ--12CA-017--E-	16	--EM--99GA-516--C	73	--FL--12JA-055--EE	177
D019205H01	150	--DQ--12AL-007EE1	17	--DQ--12CA-017--E-	17	--EM--99GA-520--C	73	--FL--12JA-060--EE	177
D019232H01	150	--DQ--12AL-007EE1	18	--DQ--12CA-017--E-	18	--EN--07EA-510--C	52	--FL--12JA-066--EE	177
D020894G01	150	--DQ--12AL-008EE1	17	--DQ--12CA-018--E-	16	--EP--12BH-211--S	97	--FL--12JA-076--EE	177
D021561H01	105	--DQ--12AL-008EE1	18	--DQ--12CA-018--E-	17	--EP--71BA-233--S	84	--FL--12JA-077--EE	177
D021561H02	105	--DQ--12AL-009EE1	17	--DQ--12CA-018--E-	18	--EP--71BA-283--EE	84	--FL--12JA-078--EE	177
D021562H01	115	--DQ--12AL-009EE1	18	--DQ--12CA-025--EE	15	--EP--71BA-343--EE	84	--FL--12JA-080--EE	177
D021562H02	105	--DQ--12AL-011EE1	15	--DQ--12CA-025--EE	17	--EP--71BA-393--EE	84	--FL--12JA-084--EE	177
D021563H02	105	--DQ--12AL-011EE1	17	--DQ--12CA-025--EE	18	--EP--71BA-463--EE	84	--FL--12JA-088--EE	177
D021708H01	105	--DQ--12AL-011EE1	18	--DQ--12CA-027--EE	15	--EU--12CA-040--EE	132	--FL--12JA-089--EE	177
D021709H01	105	--DQ--12AL-012EE1	17	--DQ--12CA-027--EE	17	--EU--12CC-020--EE	132	--FL--12JA-097--EE	177
D021710H01	105	--DQ--12AL-012EE1	18	--DQ--12CA-027--EE	18	--EU--12CC-040--EE	132	--FL--12LA-038--EE	177
--DB--12DB-001--EE	113	--DQ--12BA-005EE1	16	--DQ--12CA-028--EE	15	--EU--12CC-050--EE	132	--FL--12LA-070--EE	177
--DC--99RA-025--C	208	--DQ--12BA-005EE1	17	--DQ--12CA-028--EE	17	--EU--12CC-080--EE	132	--FL--12LA-080--EE	177
--DD--19CA-061--S	73	--DQ--12BA-005EE1	18	--DQ--12CA-028--EE	18	--EU--12CD-050--EE	132	FUSE010	182
--DE--21BB-701--C	234	--DQ--12BA-014EE1	16	--DQ--12CA-031--EE	15	--EU--12CD-060--EE	132	FUSE10A	183
--DK--12AB-001--EE	103	--DQ--12BA-014EE1	17	--DQ--12CA-031--EE	17	--EU--12CF-034--EE	132	FUSE060	183
--DK--12AB-005EE-1	103	--DQ--12BA-014EE1	18	--DQ--12CA-031--EE	18	--EU--12CF-050--EE	132	FUSE080	183
--DK--12AB-006--EE	103	--DQ--12BA-015EE1	16	--DQ--12CA-032--EE	15	--EU--12CJ-040--EE	132	--GB--12JC-016--EE	208
--DK--12AB-009--EE	103	--DQ--12BA-015EE1	17	--DQ--12CA-032--EE	17	--EU--12CM-110--E-	134	--GB--12JC-017--EE	209
--DK--12AB-021--EE	103	--DQ--12BA-015EE1	18	--DQ--12CA-032--EE	18	--EU--12CN-036--EE	134	--GB--12KM-001--EE	208
--DK--12AB-024--EE	105	--DQ--12BA-016EE1	16	--DQ--12CA-033--EE	17	--EU--12CN-046--EE	134	GM24A	206
--DK--12AB-028--E-	103	--DQ--12BA-016EE1	17	--DQ--12CA-033--EE	18	--EU--12CN-058--EE	134	GM24A-SR	206
--DK--12AB-033--E-	103	--DQ--12BA-016EE1	18	--DQ--12CA-035--EE	17	--EU--12CN-092--EE	134	GM230A	206
--DK--12AB-040--E-	103	--DQ--12BA-017EE1	16	--DQ--12CA-035--EE	18	--EU--12CN-116--EE	134	H2B6124DBE	24
--DK--12AB-044--EE	103	--DQ--12BA-017EE1	17	--DQ--12CA-036--EE	15	--EU--12CN-170--EE	134	H2EB223ABK	24
--DK--12AB-046--E-	103	--DQ--12BA-017EE1	18	--DQ--12CA-036--EE	17	--EU--12CN-582--EE	134	H2EB243ABK	24
--DK--12AB-050--E-	103	--DQ--12BA-018EE1	16	--DQ--12CA-036--EE	18	--EU--12CN-584--EE	134	H2EB293ABK	24
--DK--12AB-050--EE	103	--DQ--12BA-018EE1	17	--DQ--12CA-037--EE	17	--EU--12CN-594--EE	134	H2NG184DPE	24
--DK--12AB-052--EE	103	--DQ--12BA-018EE1	18	--DQ--12CA-037--EE	18	--EU--12CN-610--EE	134	H2NG204DRE	24
--DK--12AB-055--EE	103	--DQ--12BA-023EE1	16	--DQ--12CA-038--EE	17	--EU--12CN-616--EE	134	H2NG244DRE	24
--DK--12AH-011--EE	103	--DQ--12BA-023EE1	17	--DQ--12CA-038--EE	18	--EU--12CN-628--EE	134	H2NG294DPE	24
--DM--12CA-002--EE	118	--DQ--12BA-023EE1	18	--DQ--12EB-001--EE	21	--EU--12CN-648--EE	134	H7B6124DBE	25
--DM--12CA-003--EE	118	--DQ--12BA-024EE1	16	--DQ--12EB-004--EE	21	--EU--12CO-026--EE	132	H7NG184DPE	25
--DM--12CA-004--EE	118	--DQ--12BA-024EE1	17	E000299H01	150	--EU--12CO-040--EE	132	H7NG204DRE	25
--DM--12CA-005--EE	122	--DQ--12BA-024EE1	18	E353X05026ARDABMA	213	--EU--12CO-050--EE	132	H7NG244DRE	25
--DM--12CA-006--EE	122	--DQ--12BA-027EE1	16	E353X05028AGYABMA	213	--EU--12CO-060--EE	132	H7NG294DPE	25
--DM--12CA-007--EE	122	--DQ--12BA-027EE1	17	E353X05034CRDABMA	213	--EU--12CP-026--EE	132	H23A623DBE	24
--DN--12AB-003--EE	259	--DQ--12BA-027EE1	18	E353X05038BGYABMA	213	--EU--12CP-030--EE	132	H25G144DBE	24
--DN--12AC-001--EE	259	--DQ--12BA-028EE1	16	E353X05045BGYABMA	213	--EU--12CP-036--EE	132	H29A723DBV	24
--DN--12AC-002--EE	259	--DQ--12BA-028EE1	17	E353X05055BRDABMA	213	--EU--12CP-050--EE	132	H29B17UABH	24
--DN--12AD-004--EE	259	--DQ--12BA-028EE1	18	--EA--02SC-362--S	82	--EU--12CP-060--EE	132	H29B30UABHA	24
--DN--12CA-001--EE	259	--DQ--12BA-030EE1	16	--EA--03PC-462--S	82	--EU--12CR-060--EE	132	H73A383DBE	25
--DN--12CA-002--EE	259	--DQ--12BA-031EE1	16	--EA--03PC-503--S	82	--EU--12CR-070--EE	132	H73A423DBE	25
--DN--12CA-003--EE	259	--DQ--12BA-031EE1	17	--EA--03PC-519--S	82	--EU--12CR-090--EE	132	H73A623DBE	25
--DN--12DA-001--EE	259	--DQ--12BA-031EE1	18	--EA--09GB-005--C	102	--EU--12CT-050--EE	132	H75G144DBE	25
--DN--12DA-002--EE	259	--DQ--12BA-070--EE	15	--EA--09GB-008--C	102	--EU--12CT-060--EE	132	H79A723DBV	25
--DN--12DB-002--EE	259	--DQ--12BA-070--EE	17	--EA--09KB-561--C	79	--EU--12CU-034--EE	134	--HC--37ME-720--S	104
--DN--12DB-003--EE	259	--DQ--12BA-070--EE	18	--EA--09KB-571--C	79	--EU--12CU-042--EE	134	--HC--37VE-651--S	104
--DN--12DB-010--EE	259	--DQ--12BA-072--EE	15	--EA--09KB-581--C	79	--EU--12CU-048--EE	134	--HC--39CA-228--S	104
--DN--12DC-001--EE	260	--DQ--12BA-072--EE	17	--EA--09KB-595--C	79	--EU--12CU-062--EE	134	--HC--39ME-236--S	104
--DN--12DC-003--EE	260	--DQ--12BA-072--EE	18	--EA--09KB-598--C	79	--EU--12CU-162--EE	134	--HC--39ML-704--S	104
--DN--12DC-004--EE	260	--DQ--12BA-074EE1	15	--EA--52PH-040--S	100	--EU--12CV-090--EE	134	--HC--39ML-717--C	104
--DN--12DC-005--EE	260	--DQ--12BA-074EE1	17	--EA--52PH-042--S	100	--EU--12CV-102--EE	134	--HC--40GE-462--S	104
--DN--12DC-008--EE	260	--DQ--12BA-074EE1	18	--EA--52PH-046--S	100	--EU--12CW-126--EE	132	--HC--41AE-191--S	104
--DN--12DC-009--EE	260	--DQ--12CA-001--EE	15	--EA--52PH-049--S	100	--EU--12CW-222--EE	132	--HC--41AE-221--S	104
--DN--12DC-010--EE	260	--DQ--12CA-001--EE	17	--EA--52PH-052--S	100	--EU--12CX-166--EE	132	--HC--41VL-232--S	104
--DN--12DC-011--EE	260	--DQ--12CA-001--EE	18	--EA--52PH-055--S	100	--EU--12CX-222--EE	132	--HC--42GL-208--S	104
--DN--12DC-012--E-	260	--DQ--12CA-002--EE	15	--EA--52PH-061--S	100	--FA--12AA-001--EE	182	--HC--42ME-232--C	104
--DN--12DC-015--EE	260	--DQ--12CA-002--EE	17	--EA--52PH-063--S	100	--FA--12AA-002--EE	182	--HC--42SE-232--C	104
--DN--12DC-016--EE	260	--DQ--12CA-002--EE	18	--EA--52PH-065--S	100	--FA--12AA-003--EE	182	--HC--43AE-232--S	104
--DN--12DC-018--EE	260	--DQ--12CA-003--E-	15	--EA--52PH-067--S	100	--FA--12AA-005--EE	182	--HC--43TL-400--S	104
--DN--12DC-019--EE	260	--DQ--12CA-003--E-	17	--EA--52PH-070--S	100	--FA--12AA-012--EE	182	--HC--43VL-232--S	104
--DN--12DC-021--EE	260	--DQ--12CA-003--E-	18	--EA--52PH-073--S	100	--FA--12AA-015--EE	182	--HC--43VL-460--S	104
--DN--12DC-023--EE	260	--DQ--12CA-005--E-	15	--EA--52PH-076--S	100	--FA--12AA-022--EE	182	--HC--44ME-701--C	104
--DN--12DC-025--EE	260	--DQ--12CA-005--E-	17	--EA--52PH-078--S	100	--FA--12AA-022--EE	209	--HC--44VE-232--C	104
--DN--12DC-027--EE	260	--DQ--12CA-005--E-	18	--EA--52PH-080--S	100	--FA--12AA-025--EE	182	--HC--44VL-702--S	104
--DN--12DC-028--EE	260	--DQ--12CA-006--E-	15	--EA--52PH-084--S	100	--FA--12AA-026--EE	182	--HC--45AE-195--S	104
--DN--12DD-025--EE	260	--DQ--12CA-006--E-	17	--EA--52PH-086--S	100	--FA--12AA-028--EE	182	--HC--46VL-703--S	104
--DN--12EA-009--EE	259	--DQ--12CA-006--E-	18	--EA--52PH-088--S	100	--FA--12BJ-125--EE	184	--HC--52TE-231--C	104
--DN--12EA-010--EE	259	--DQ--12CA-009--EE	17	--EA--52PH-090--S	100	--FA--12DA-015--EE	182	--HD--46VE-202--C	104
--DN--12EA-016--EE	259	--DQ--12CA-009--EE	18	--EA--52PH-093--S	100	--FA--12DA-015--EE	210	--HD--46VE-206--C	104
--DN--12EA-017--EE	259	--DQ--12CA-011--EE	15	--EA--52PH-098--S	100	--FB--12AM-020--EE	182	--HD--52AK-652--S	104
--DN--12EA-037--EE	260	--DQ--12CA-011--EE	17	--EF--05BD-271--EE	78	--FL--12HA-012--EE	177	--HD--52AK-653--S	104
--DN--12EA-052--EE	260	--DQ--12CA-011--EE	18	--EF--05BD-273--EE	78	--FL--12HA-015--EE	177	--HF--27CA-033--S	104
--DQ--12AG-001--EE	21	--DQ--12CA-012--EE	15	--EF--05BD-331--EE	78	--FL--12JA-015--EE	177	--HH--23AG-085--C	165
--DQ--12AG-001--EE	22	--DQ--12CA-012--EE	17	--EF--05BD-333--EE	78	--FL--12JA-020--EE	177	--HH--24CZ-020--S	165
--DQ--12AL-001EE1	17	--DQ--12CA-012--EE	18	--EF--05BD-391--EE	78	--FL--12JA-025--EE	177	--HH--79NZ-013--C	208
--DQ--12AL-001EE1	18	--DQ--12CA-014--EE	17	--EF--05BD-451--EE	78	--FL--12JA-030--EE	177	--HH--79NZ-059--C	210
--DQ--12AL-002EE1	15	--DQ--12CA-014--EE	18	--EF--17BG-247--S	90	--FL--12JA-036--EE	177	--HK--02ZA-395--C	158
--DQ--12AL-002EE1	17	--DQ--12CA-015--E-	16	--EK--02JA-203--C	96	--FL--12JA-041--EE	177	--HK--02ZA-442--S	158

INDEX

--HK--02ZB-027--C	158	--KH--12AJ-101--M	153	--LL--01SB-048--EE	132	---P-502--8032--S	146	SM185S4RA	18
--HK--02ZB-028--C	158	--KH--12AM-007--M	155	--LL--01SB-052--EE	132	---P-502--8082S-S	146	SM230A	206
--HK--02ZB-038--S	158	--KH--12AP-006--M	155	--LL--01SB-054--EE	132	---P-502--8083S-S	146	SM230ASR	206
--HK--06UC-006--S	162	--KH--12AR-001--M	152	LM24A	206	---P-502--8084S-S	146	SUPERFLUX NT	251
--HK--06UC-007--C	162	--KH--12AR-002--M	153	LM24A-SR	206	---P-502--8165--S	146	---T6375-C1029---EE	164
--HK--35AA-002--C	209	--KH--12AS-005--M	153	LM230A	206	---P-502--8165S-S	146	T300912620	150
--HK--35AZ-001--C	208	--KH--12AS-006--M	153	LM230ASR	206	---P-502--8305--S	146	T302916500	150
--HK--50AA-001--C	209	--KH--12AS-007--M	152	M005010	251	---P-502--8305S-S	146	TAM3496-0BR50-0EN1	190
--HK--50AA-003--C	209	--KH--12AS-008--M	153	MTA540023M	153	---P-502--8417S-S	146	TAM3496-0BY00-0EN1	190
--HK--50AA-004--C	209	--KH--12AS-010--M	153	MTA540752M	153	---P-504--8083--S	146	TAM3496-0EL10-0EN1	190
--HK--50AA-006--C	209	--KH--12AS-012--M	153	MT-CLM310C	258	---P-504--8084S-S	146	TAM3496-0EL70-0EN1	190
--HK--50AA-007--S	209	--KH--12AZ-027--M	151	MT-DMM38	256	---P-504--8164--S	146	TAM3496-0FS30-0EN1	190
--HK--50AA-008--C	209	--KH--12AZ-101--M	151	MT-DMM830L	256	---P-505--8485--S	145	TAM3896-0BQ60-0EN1	190
--HK--50AA-014--S	209	--KH--12AZ-102--M	152	MT-ITH6520	257	---P-505--8489--S	145	TAM3896-0BQ70-0EN1	190
--HK--50AA-021--S	209	--KH--12AZ-107--M	151	MT-ITH6530	257	---P-505--8967--S	145	TAM3896-0BS80-0EN1	190
--HK--50AA-029--S	209	--KH--12BA-003--M	152	MT-TCC710	258	---P-505--8969--S	145	TAM3896-0EB40-0EN1	190
--HK--50AA-031--S	209	--KH--12BA-004--M	152	MTZ64HM4VE	17	---P-505--819213S	145	TAM3896-0ED70-0EN1	190
--HK--50AA-033--S	209	--KH--12BA-005--M	152	MTZ64HM4VE	18	---P-800--0004--EE	245	TAM4096-0EC10-0EN1	190
--HK--50AA-035--S	209	--KH--12BI-001--M	155	N205655/R214122J	182	---P-800--0006--EE	245	TAM4096-0EV00-0EN1	190
--HK--50AA-039--S	209	--KH--12BI-002--M	155	NM24A	206	---P-800--0008--EE	245	TAM4396-0EH20-0FN1	190
--HK--50LR-004--S	209	--KH--12BI-003--M	155	NM24A-SR	206	---P-800--0010--EE	245	TAM4396-0EH70-0EN1	190
--HN--65CT-011--C	209	--KH--12BO-001--M	153	NM230A	206	---P-800--0012--EE	245	TAM4396-0EM10-0EN1	190
--HN--65CT-011--C	210	--KH--12BO-101--M	154	--OJ--12MA-004--EE	197	---P-800--2001--EE	245	TAM4696-0EJ30-0FN1	190
--HN--65KZ-027--C	208	--KH--12BO-102--M	154	--OJ--12MC-003--EE	197	---P-800--2002--EE	245	TAM4696-0EN30-0FN1	190
--HN--68GA-295--C	48	--KH--12BP-102--M	155	--OK--00TL-122--EE	195	---P-800--2003--EE	245	TAM4696-0ER50-0EN1	190
--HR--12AA-002--EE	125	--KH--28ED-161--EE	144	--OK--12AC-025--EE	209	---P-800--2004--EE	245	TAM8096-0BD00-0EN1	190
--HR--12BA-011--E-	138	--KH--28ED-200--S	144	--OK--12AC-044--EE	196	---P-800--2005--EE	245	TAM8196-0AX40-0EN1	190
--HR--12BA-011--EE	138	--KH--28ED-202--EE	144	--OK--12SW-103--EE	195	---P-801--0004EE1	244	TAM8196-0BA30-0EN1	190
--HR--53ZK-001--S	209	--KH--28ED-240--EE	144	--OK--12SW-225--EA	195	---P-801--0006EE1	244	TEST-VERNOLAB-EXP	249
--HT--01BZ-230--S	208	--KH--28ED-242--C	144	--OK--12TL-031--EE	195	---P-801--0008EE1	244	TEST-VERNOLAB-FR	249
--HT--08DZ-026--S	210	--KH--28ED-280--S	144	--OK--12TL-040--EE	195	---P-801--0010EE1	244	TF24	207
--HT--38AZ-120--S	139	--KH--29MD-048--EE	148	--OK--12TL-044--EE	195	---P-801--0012EE1	244	TF24-S	207
ID961-8A230VNTC3M	164	--KH--29MD-060--S	148	--OK--12TL-622--EE	195	---P-801--0014EE1	244	TF24-SR	207
ID961-8A230VNTC15M	164	--KH--49EA-040--C	145	--OL--12TV-018--EC	194	---P-801--0018EE1	244	TF230	207
ID961-16A230VNTC3M	164	--KH--49EA-200--C	145	--OL--12TV-021--EC	194	---P-801--0022EE1	244	TF230-S	207
K31-E	195	KIT33ASM-01-INWALL	218	--OL--12TV-028--EC	194	---P-801--0026EE1	244	TIF 9030	255
--KC--21AH-005--S	262	KIT33ASM-01-ONWALL	218	--OL--12TV-031--EC	194	---P-801--0034EE1	244	TREC-05002A	252
--KC--21AH-105--S	262	KITBACNET-INWALL	218	--OL--12TV-044--EC	194	---P-801--0042EE1	244	TSM29146	191
--KC--21AH-151--S	262	KITBACNET-ONWALL	218	--OL--12TY-025--EE	194	---P-801--0080EE1	244	TSM29147	191
--KH--11HH-066--S	101	--KK--71EW-223-OEM	56	--OL--12TY-032--EE	194	---P-802--0004EE1	244	TSM30038	191
--KH--12AA-003--M	152	--KK--71EW-229--S	56	--OL--12TY-042--EE	194	---P-802--0005EE1	244	TT1-001	249
--KH--12AA-005--M	152	--KK--71EW-259--S	56	--OP--12AS-004--E-	210	---P-802--0006EE1	244	TT1-002	249
--KH--12AA-006--M	152	--KK--71GW-015--C	73	--OP--12AS-005--E-	210	---P-802--0008EE1	244	TT2-001	249
--KH--12AB-001--M	154	--KK--71PR-010--S	73	--OP--12AS-006--EE	210	---P-802--0010EE1	244	TT2-002	249
--KH--12AB-002--M	154	--KK--82TA-002--C	137	--OP--12AS-007--E-	210	---P-802--0012EE1	244	--UA--12AA-002--EE	101
--KH--12AB-003--M	154	--LA--01AA-023--S	108	--OP--12AS-008--EE	210	---P-802--0014EE1	244	--UA--12AA-101--EE	223
--KH--12AB-005--M	154	--LA--01AA-025--S	108	--OP--12AS-010--EE	210	---P-809MH1015--EE	246	--UA--12AA-102--EE	223
--KH--12AB-006--M	154	--LA--01AB-026--S	108	--OP--12AS-011--EE	210	---P-809MH1017--EE	246	--UA--12AA-105--EE	223
--KH--12AB-007--M	154	--LA--01AB-200--S	108	--OP--12AS-012--EE	210	---P-809MH1022--EE	246	--UA--12AA-106--EE	223
--KH--12AB-008--M	154	--LA--01AB-201--S	108	--OP--12AS-014--EE	210	---P-809MH1027--EE	246	--UA--12AA-110--EE	223
--KH--12AB-110--M	154	--LA--01AD-028--S	108	--OP--12AS-015--EE	210	---P-809MH1034--EE	246	--UA--12AA-111--EE	223
--KH--12AB-112--M	154	--LA--01AD-032--S	108	--OP--12AS-018--EE	210	---P-809MH1042--EE	246	--UA--12AA-112--EE	223
--KH--12AB-113--M	154	--LA--01AD-039--S	108	--OP--12AS-019--EE	210	---P-809MH1054--EE	246	--UA--12AA-113--EE	223
--KH--12AC-001--M	152	--LA--01EA-030--C	108	--OP--12AS-020--EE	210	---P-903AR30020-EE	248	--UA--12AA-114--EE	223
--KH--12AC-002--M	152	--LA--01EW-032--C	108	OP12CA021EE	164	---P-903EAL32-5EE	248	--UA--12AA-115--EE	223
--KH--12AC-003--M	152	LA1KN11	174	OP12CA023EE	164	---P-903EAL32-20EE	248	--UA--12AA-116--EE	223
--KH--12AC-008--M	152	--LA--01LA-024--C	108	--OP--12CA-030--EE	164	---P-903EST68-5TL	248	--UA--12AB-002--EE	224
--KH--12AC-021--M	152	--LA--01LA-030--C	109	OP12CA036EE	166	---P-903EST68-20TL	248	--UA--12BA-001--EE	227
--KH--12AC-023--M	152	--LA--01LA-035--C	108	--OP--12DA-039--EE	210	---P-903SW68-5TTL	248	--UA--12BA-002--EE	227
--KH--12AD-005--M	151	--LA--04AA-299--C	108	--OP--12DA-039--EE	216	---P-903SW68-20TTL	248	--UA--12BA-003--EE	227
--KH--12AD-006--M	151	--LA--04AA-330--S	108	--OP--12DA-040--EE	210	---P-903SW-100-5EE	248	--UA--12BA-004--EE	227
--KH--12AD-008--M	151	--LA--12AA-001--EE	109	--OP--12DA-040--EE	216	---P-903SW-100--EE	248	--UB--12AA-001--EE	225
--KH--12AD-017--M	151	--LA--12AA-004--EE	109	--OP--12DA-057--E-	216	---P-903SW220-5TTL	248	--UB--12AA-002--EE	225
--KH--12AD-019--M	151	--LA--12AA-006--EE	109	--OP--12DA-057--EE	211	---P-903SW220-20TTL	248	--UB--12AA-008--E-	225
--KH--12AE-003--M	151	--LA--12AA-007--EE	109	--OP--12KA-008--EE	210	---P5068-F--48--S	148	--UB--12AA-009--EE	225
--KH--12AE-004--M	151	--LA--12AA-008--EE	109	--OP--12KA-009--EE	209	---P5068-H--48--S	148	--UB--12BA-001--EE	226
--KH--12AE-006--M	151	--LA--12LA-002--EE	109	--OP--12KA-010--EE	210	---P5068-H-100--S	148	--UB--12BA-002--EE	226
--KH--12AE-018--M	151	--LA--12LA-003--EE	109	--OP--12OB-002--EE	204	--PH--12PB-001--EE	261	--UB--12BB-001--EE	226
--KH--12AE-019--M	151	--LA--12LA-016--EE	109	OP12OB004EE	204	--PH--12PE-001--EE	261	--UB--12BD-003--EE	226
--KH--12AF-001--M	152	LC1D12B7	169	---P-167--0001--S	261	--PH--12PF-001--E-	261	--UC--12AA-001--EE	224
--KH--12AF-002--M	152	LC1D18B7	169	---P-167--0017--S	261	--PH--12PG-001--EE	261	--UC--12AA-002--EE	224
--KH--12AF-003--M	152	LC1D25B7	169	---P-291--0304--S	202	--PH--12PJ-001--EE	261	--UC--12AA-003--EE	224
--KH--12AF-004--M	152	LC1K0601B7	169	---P-291--0404--S	202	--PH--23GH-017--S	261	--UC--12AA-004--EE	224
--KH--12AJ-001--M	154	LC1K0610B7	169	---P-291--0503R-S	202	--PH--23GL-012--S	261	--UC--12AA-005--EE	224
--KH--12AJ-002--M	154	LC1K0901B7	169	---P-291--0753--S	202	PMF630ALVCoS635SM8	202	--UC--12AA-007--EE	224
--KH--12AJ-006--M	154	LC1K0910B7	169	---P-291--0754--S	202	PMF1000ALVCoS6-35S	202	--UC--12AA-008--EE	224
--KH--12AJ-007--M	154	LC1K09004B7	169	---P-291--1003--S	202	REF-METER	255	--UC--12AA-009--EE	224
--KH--12AJ-001--M	153	LF24	207	---P-291--1003--S	202	RL32-3MAF-1TTL	247	--UC--12AA-011--EE	224
--KH--12AJ-002--M	153	LF24-S	207	---P-291--1004--S	202	RL32-3MAF-5TTL	247	--UC--12AA-013--EE	224
--KH--12AJ-005--M	153	LF24-SR	207	---P-291--1503--S	202	RSB2A080B7	196	--UC--12AA-015--EE	224
--KH--12AJ-006--M	153	LF230	207	---P-291--2503--S	202	SM24A	206	--UC--12AA-019--EE	224
--KH--12AJ-012--M	153	LF230-S	207	---P-291--2504--S	202	SM24A-SR	206	--UC--12AA-020--EE	224
--KH--12AJ-013--M	153	--LL--01SB-040--EE	132	---P-291--2553--S	202	SM185S4RA	17	--UC--12BB-001--EE	224

In consequence of standards and material evolution, the specifications published on this catalogue are indicative only and commits us only after confirmation by our services. Photos for illustration only

--UC--12BB-002--EE	224	--UG--12CA-031--EE	230	--UH--12AB-065--EE	240	--UH--12AB-149--EE	242	--UL--12DA-005--EE	236
--UC--12BB-003--EE	224	--UG--12CA-032--EE	230	--UH--12AB-066--EE	240	--UH--12AB-150--EE	242	--UL--12DA-006--E-	236
--UC--12BB-004--EE	224	--UG--12CA-033--EE	230	--UH--12AB-067--E-	240	--UH--12AB-151--EE	242	--UL--12DA-007--EE	236
--UC--12BB-005--EE	224	--UG--12CA-034--EE	231	--UH--12AB-068--EE	240	--UH--12AB-152--EE	242	--UL--12DA-008--EE	236
--UC--12BB-006--EE	224	--UG--12CA-035--EE	231	--UH--12AB-069--EE	240	--UH--12AB-153--EE	242	--UL--12DA-009--EE	236
--UD--12AA-003--EE	73	--UG--12CA-036--EE	231	--UH--12AB-070--EE	240	--UH--12AB-154--EE	242	--UL--12DA-010--E-	236
--UD--12AA-003--EE	227	--UG--12CA-037--EE	231	--UH--12AB-071--EE	240	--UH--12AB-155--EE	243	--UL--12DA-011--E-	236
--UD--12AB-002--EE	73	--UG--12CA-038--EE	231	--UH--12AB-072--EE	240	--UH--12AB-156--E-	243	--UL--12DA-012--EE	236
--UG--12AA-001--EE	229	--UG--12CA-039--EE	231	--UH--12AB-073--EE	240	--UH--12AB-157--EE	243	--UL--12DA-013--EE	236
--UG--12AA-002--EE	229	--UG--12CA-040--EE	231	--UH--12AB-074--EE	241	--UH--12AB-158--EE	243	--UL--12EA-001--EE	235
--UG--12AA-003--EE	229	--UG--12CA-041--EE	231	--UH--12AB-075--E-	241	--UH--12AB-159--EE	242	--UL--12EA-002--EE	235
--UG--12AA-004--EE	229	--UG--12CA-042--EE	231	--UH--12AB-076--EE	240	--UH--12AB-160--EE	242	--UL--12EA-004--EE	235
--UG--12AA-005--EE	229	--UH--12AA-001--E-	237	--UH--12AB-077--EE	240	--UH--12AB-161--EE	243	--UL--12EA-006--EE	235
--UG--12AA-006--E-	229	--UH--12AA-003--EE	237	--UH--12AB-078--EE	241	--UH--12AB-162--EE	243	--UL--12EA-008--EE	235
--UG--12AA-007--E-	229	--UH--12AA-004--EE	237	--UH--12AB-079--EE	241	--UH--12AB-163--EE	243	--UL--12EA-011--EE	235
--UG--12AA-008--EE	229	--UH--12AA-005--EE	237	--UH--12AB-080--EE	241	--UH--12AB-164--EE	242	--UL--12EA-012--EE	235
--UG--12AA-009--EE	229	--UH--12AA-006--EE	237	--UH--12AB-081--EE	241	--UH--12AB-165--EE	243	--UL--12EA-014--EE	235
--UG--12AA-010--EE	229	--UH--12AA-007--E-	237	--UH--12AB-082--EE	240	--UH--12AB-166--EE	243	--UL--12EA-016--EE	235
--UG--12AA-011--EE	229	--UH--12AA-008--EE	237	--UH--12AB-083--EE	240	--UH--12AB-167--EE	243	--UL--12EA-017--EE	235
--UG--12AA-013--EE	229	--UH--12AA-009--EE	237	--UH--12AB-084--EE	240	--UH--12AB-168--EE	243	--UL--12EA-018--EE	235
--UG--12AA-014--EE	229	--UH--12AA-010--EE	237	--UH--12AB-085--EE	241	--UH--12AB-169--EE	243	--UL--12FA-001--EE	233
--UG--12AA-015--EE	229	--UH--12AA-011--EE	237	--UH--12AB-086--EE	241	--UH--12AB-170--EE	243	--UL--12FA-002--EE	233
--UG--12BA-001--EE	232	--UH--12AA-012--EE	237	--UH--12AB-087--EE	241	--UH--12AB-171--EE	243	--UL--12FA-003--EE	233
--UG--12BA-002--E-	232	--UH--12AA-013--EE	237	--UH--12AB-088--EE	241	--UH--12AB-172--EE	243	--UL--12FA-004--EE	233
--UG--12BA-003--EE	232	--UH--12AA-014--EE	237	--UH--12AB-089--EE	241	--UH--12AB-173--EE	243	--UL--12FA-005--EE	233
--UG--12BA-004--EE	232	--UH--12AB-001--EE	239	--UH--12AB-090--E-	241	--UH--12AB-174--EE	243	--UL--12FA-006--EE	233
--UG--12BA-005--EE	232	--UH--12AB-002--EE	240	--UH--12AB-091--EE	241	--UH--12AB-175--EE	243	--UL--12FA-007--EE	233
--UG--12BA-006--EE	232	--UH--12AB-003--EE	238	--UH--12AB-093--EE	241	--UH--12AB-176--EE	243	--UL--12FA-008--EE	233
--UG--12BA-007--EE	232	--UH--12AB-004--EE	238	--UH--12AB-094--EE	241	--UH--12AB-177--EE	243	--UL--12FA-009--EE	233
--UG--12BA-008--EE	232	--UH--12AB-006--EE	239	--UH--12AB-095--EE	241	--UH--12AB-178--EE	243	--UL--12FA-010--EE	233
--UG--12BA-009--EE	232	--UH--12AB-007--EE	239	--UH--12AB-096--EE	241	--UH--12AB-179--EE	243	--UL--12FA-011--E-	233
--UG--12BA-010--EE	232	--UH--12AB-008--EE	238	--UH--12AB-097--EE	241	--UH--12AB-180--EE	243	--UL--12FA-012--EE	233
--UG--12BA-011--EE	232	--UH--12AB-009--EE	238	--UH--12AB-098--EE	241	--UH--12AB-181--EE	243	--UM--12AP-013--EE	95
--UG--12BA-012--EE	232	--UH--12AB-010--EE	238	--UH--12AB-099--EE	241	--UL--12AA-001--EE	234	--UM--12AQ-014--E-	95
--UG--12BA-013--EE	232	--UH--12AB-011--EE	238	--UH--12AB-100--EE	241	--UL--12AA-003--EE	234	--UM--12AQ-019--EE	95
--UG--12BA-014--EE	232	--UH--12AB-012--EE	239	--UH--12AB-101--EE	241	--UL--12AA-004--EE	234	--UM--12AQ-020--EE	95
--UG--12BA-015--EE	232	--UH--12AB-013--EE	239	--UH--12AB-102--EE	242	--UL--12AA-005--EE	234	--UM--12AQ-021--EE	95
--UG--12BA-016--EE	232	--UH--12AB-014--EE	239	--UH--12AB-103--EE	242	--UL--12AA-006--EE	234	--UM--12AQ-023--EE	95
--UG--12BA-017--EE	232	--UH--12AB-015--EE	239	--UH--12AB-104--EE	242	--UL--12AA-009--EE	234	--UM--12AQ-025--EE	95
--UG--12BA-018--E-	232	--UH--12AB-016--EE	239	--UH--12AB-105--EE	242	--UL--12AA-010--EE	234	--UM--12AQ-030--EE	95
--UG--12BA-019--EE	232	--UH--12AB-017--EE	238	--UH--12AB-106--EE	242	--UL--12AA-011--EE	234	--UM--12AQ-032--EE	95
--UG--12BA-020--EE	232	--UH--12AB-018--EE	239	--UH--12AB-107--EE	242	--UL--12AA-012--EE	234	--UM--12AQ-045--EE	95
--UG--12BA-021--EE	232	--UH--12AB-019--EE	239	--UH--12AB-108--EE	242	--UL--12AA-015--EE	234	--UM--12AQ-047--EE	95
--UG--12BA-022--E-	232	--UH--12AB-020--EE	240	--UH--12AB-109--EE	242	--UL--12AD-001--EE	235	--UM--12AQ-185--EE	95
--UG--12BA-023--EE	232	--UH--12AB-021--EE	240	--UH--12AB-110--EE	242	--UL--12AD-002--EE	235	--UM--12LA-020--EE	127
--UG--12BA-026--E-	232	--UH--12AB-022--EE	240	--UH--12AB-111--EE	242	--UL--12AD-003--EE	235	--UM--12LA-040--E-	95
--UG--12BA-027--EE	232	--UH--12AB-023--EE	239	--UH--12AB-112--EE	242	--UL--12AD-004--EE	235	--UM--12LA-047--EE	95
--UG--12BA-028--EE	232	--UH--12AB-024--EE	239	--UH--12AB-113--EE	242	--UL--12AD-005--EE	235	--VA--12AA-002--EE	159
--UG--12BA-029--EE	232	--UH--12AB-025--EE	239	--UH--12AB-114--EE	242	--UL--12AD-006--EE	235	--VA--12AA-003--EE	159
--UG--12BA-030--EE	232	--UH--12AB-026--EE	239	--UH--12AB-115--EE	242	--UL--12AD-007--EE	235	--VA--12BF-001--EE	160
--UG--12BA-031--EE	232	--UH--12AB-030--EE	239	--UH--12AB-116--EE	239	--UL--12AD-008--EE	235	--VA--12BF-004--EE	160
--UG--12BA-032--EE	232	--UH--12AB-031--EE	239	--UH--12AB-117--EE	239	--UL--12AD-009--EE	235	--VA--12BF-005--EE	159
--UG--12BA-033--EE	232	--UH--12AB-032--EE	238	--UH--12AB-118--EE	240	--UL--12AD-010--E-	235	--VA--12BF-006--EE	159
--UG--12BA-034--EE	232	--UH--12AB-033--EE	238	--UH--12AB-119--EE	239	--UL--12AD-011--EE	235	--VA--12BF-007--EE	160
--UG--12BA-035--EE	232	--UH--12AB-034--EE	238	--UH--12AB-120--EE	238	--UL--12AD-012--EE	235	--VA--12BF-008--EE	159
--UG--12BA-040--EE	232	--UH--12AB-035--EE	238	--UH--12AB-121--EE	239	--UL--12AD-013--EE	235	VICT150-1-1/2-SCR	124
--UG--12CA-001--EE	230	--UH--12AB-036--EE	238	--UH--12AB-122--EE	239	--UL--12AD-014--EE	235	VICT150-1-1/2-WEL	124
--UG--12CA-002--EE	230	--UH--12AB-039--EE	238	--UH--12AB-123--EE	239	--UL--12BA-001--EE	233	VICT150-2-----SCR	124
--UG--12CA-003--E-	230	--UH--12AB-040--EE	238	--UH--12AB-124--EE	239	--UL--12BA-002--EE	233	VICT150-2-----WEL	124
--UG--12CA-004--EE	230	--UH--12AB-041--EE	238	--UH--12AB-125--EE	239	--UL--12BA-003--EE	233	VICT300-1-1/2-SCR	124
--UG--12CA-005--EE	230	--UH--12AB-042--EE	238	--UH--12AB-126--EE	238	--UL--12BA-004--EE	233	VICT300-1-1/2-WEL	124
--UG--12CA-006--EE	230	--UH--12AB-043--EE	239	--UH--12AB-127--EE	238	--UL--12BA-005--EE	233	VICT300-1-1/4-SCR	124
--UG--12CA-007--EE	230	--UH--12AB-044--EE	239	--UH--12AB-128--EE	240	--UL--12BA-007--EE	233	VICT300-2-----SCR	124
--UG--12CA-010--EE	230	--UH--12AB-045--EE	239	--UH--12AB-129--EE	240	--UL--12BA-009--EE	233	VICT300-2-----WEL	124
--UG--12CA-011--EE	230	--UH--12AB-046--EE	239	--UH--12AB-130--EE	240	--UL--12BA-010--EE	233	--WA--12BB-002--EE	159
--UG--12CA-012--EE	230	--UH--12AB-047--EE	239	--UH--12AB-131--EE	240	--UL--12BA-012--EE	233	--WA--12BB-003--EE	159
--UG--12CA-013--EE	230	--UH--12AB-048--EE	239	--UH--12AB-132--EE	241	--UL--12BA-013--EE	233	--WA--12KN-011--EE	159
--UG--12CA-014--EE	230	--UH--12AB-049--EE	238	--UH--12AB-133--EE	240	--UL--12BA-015--EE	233	--WA--12LN-002--EE	160
--UG--12CA-015--EE	230	--UH--12AB-050--EE	238	--UH--12AB-134--EE	240	--UL--12BA-016--EE	233	--WA--12LN-005--EE	160
--UG--12CA-016--EE	230	--UH--12AB-051--EE	238	--UH--12AB-135--EE	241	--UL--12BA-017--EE	233	--WA--12LN-006--EE	160
--UG--12CA-017--EE	230	--UH--12AB-052--EE	238	--UH--12AB-136--EE	241	--UL--12BA-019--EE	233	--WA--12LN-011--EE	160
--UG--12CA-018--EE	230	--UH--12AB-053--EE	238	--UH--12AB-137--EE	241	--UL--12BA-020--EE	233	--WA--12MN-006--EE	158
--UG--12CA-019--EE	230	--UH--12AB-054--EE	238	--UH--12AB-138--EE	241	--UL--12CA-002--EE	234	--WA--12MN-007--EE	158
--UG--12CA-021--E-	230	--UH--12AB-055--EE	238	--UH--12AB-139--EE	241	--UL--12CA-003--EE	234	--WA--12MN-009--EE	158
--UG--12CA-022--EE	231	--UH--12AB-056--EE	238	--UH--12AB-140--EE	242	--UL--12CA-005--EE	234	--WA--12PH-001--EE	159
--UG--12CA-023--EE	231	--UH--12AB-057--EE	238	--UH--12AB-141--EE	242	--UL--12CA-006--EE	234	--WA--12PH-002--EE	159
--UG--12CA-024--EE	230	--UH--12AB-058--EE	238	--UH--12AB-142--EE	242	--UL--12CA-009--E-	234	--WA--12PH-003--EE	159
--UG--12CA-025--EE	230	--UH--12AB-059--EE	238	--UH--12AB-143--EE	242	--UL--12CA-010--EE	234	--WA--12PH-004--EE	159
--UG--12CA-026--EE	230	--UH--12AB-060--EE	240	--UH--12AB-144--EE	242	--UL--12CA-013--EE	234	--WA--12PH-005--EE	159
--UG--12CA-027--EE	230	--UH--12AB-061--EE	240	--UH--12AB-145--EE	242	--UL--12CA-014--EE	234	--WA--12PJ-001--EE	159
--UG--12CA-028--EE	230	--UH--12AB-062--E-	240	--UH--12AB-146--EE	241	--UL--12DA-002--EE	236	--WA--12PJ-004--EE	159
--UG--12CA-029--EE	230	--UH--12AB-063--EE	240	--UH--12AB-147--EE	241	--UL--12DA-003--EE	236	--WA--12PJ-005--EE	159
--UG--12CA-030--EE	230	--UH--12AB-064--EE	240	--UH--12AB-148--EE	242	--UL--12DA-004--EE	236	--WA--12PJ-008--EE	159

--WA--12PJ-009--EE	159	--XA--12AB1800--EE	79	--XL--12AA-001--EE	98	--XM--12AH-012--EE	92	--XW--12EA-009--EE	148
--WA--12PJ-010--EE	159	--XA--12AI-001--EE	102	--XL--12AA-002--EE	98	--XM--12BE-009--EE	91	--XW--12EA-010--EE	148
--WB--12BB-003--EE	160	--XA--12AN-001--EE	79	--XL--12AA-003--EE	98	--XM--12BE-010--EE	91	--XW--12EA-011--EE	148
--WB--12BB-004--EE	160	--XA--12AN-003--EE	79	--XL--12AA-004--EE	98	--XM--12BE-012--EE	91	--XW--12EA-015--EE	148
--WB--12BB-005--EE	160	--XA--12BM-050--EE	80	--XL--12AA-007--EE	98	--XM--12BE-016--E-	91	--XW--12EA-020--EE	147
--WB--12BG-016--EE	158	--XA--12BM-060--E-	80	--XL--12AA-008--EE	98	--XM--12BE-029--EE	91	--XW--12EA-022--EE	147
--WB--12BG-022--EE	158	--XA--12BM-070--EE	80	--XL--12AA-009--EE	98	--XM--12BH-002--EE	91	--XW--12GB-002--EE	144
--WB--12BG-027--EE	158	--XA--12BM-090--EE	80	--XL--12AF-002--EE	87	--XM--12BH-003--EE	91	--XW--12GB-003--EE	144
--WB--12BG-029--EE	158	--XA--12BM-091--EE	80	--XL--12AJ-001--EE	85	--XM--12BH-006--EE	91	--XW--12GB-006--EE	144
--WB--12BH-017--EE	158	--XA--12BM-100--EE	80	--XL--12AJ-003--EE	85	--XM--12BH-007--EE	91	--XW--12GB-008--EE	144
--WB--12BG-029--EE	158	--XA--12BM-101--EE	80	--XL--12AJ-004--EE	85	--XM--12BH-008--EE	91	--XW--12GB-010--EE	144
---WB--12BH030--EE	158	--XA--12BM-111--EE	80	--XL--12AL-002--EE	97	--XM--12BH-009--EE	91	--XW--12GB-016--EE	144
--WB--12BH-030--EE	158	--XA--12BM-121--EE	80	--XL--12AL-003--EE	97	--XM--12BH-010--EE	91	--XW--12GG-002--EE	144
--WB--12LN-001--EE	160	--XA--12BM-131--EE	80	--XL--12AL-004--EE	97	--XM--12EB-290--EE	92	--XW--12GG-003--EE	144
--WB--12LN-022--EE	160	--XA--12BM-141--EE	80	--XL--12AL-005--EE	97	--XM--12EB-331--EE	92	--XW--12GB-010--EE	144
--WG--12KA-002--EE	209	--XA--12BM-151--EE	80	--XL--12AU-045--EE	99	--XM--12FB-011--EE	91	--XW--12MA-002--EE	143
--WG--12KA-003--EE	209	--XA--12CA-034--EE	83	--XL--12AU-046--EE	99	--XM--12FB-012--EE	91	--XW--12MA-006--EE	143
--WG--12RA-001--EE	48	--XA--12CA-036--EE	83	--XL--12AU-047--EE	99	--XM--12FB-013--E-	91	--XW--12PA-001--EE	128
--WG--12RA-001--EE	165	--XA--12CA-039--EE	83	--XL--12AU-048--EE	99	--XM--12YC-024--EE	38	--XW--12PA-002--EE	128
--WM--12FA-006--EE	48	--XA--12DF-009--EE	81	--XL--12AU-049--EE	99	--XM--12YC-024--EE	48	--XW--12PA-003--EE	128
--WM--12FA-017--EE	48	--XA--12DF-010--EE	81	--XL--12AU-050--EE	99	--XM--12ZA-115--E-	38	--XW--12PA-004--EE	128
--WM--12FA-018--EE	38	--XA--12DF-014--EE	81	--XL--12AU-051--EE	97	--XM--12ZA-115--E-	48	--XW--12PA-005--EE	128
--WM--12FA-018--EE	48	--XA--12DF-015--EE	81	--XL--12AU-054--EE	86	--XM--12ZA-230--EE	38	--XW--12PA-006--EE	128
--WM--12FA-020--E-	48	--XA--12DF-016--EE	81	--XL--12CA-003--EE	90	--XS--12AB-001--EE	142	ZP235KCE-TWD-522	20
--WM--12GA-001--EE	139	--XA--12DM-016--EE	81	--XL--12CA-004--EE	90	--XS--12AB-002--EE	142	ZP295KCE-TWD-522	20
--WM--12GB-003--EE	140	--XA--12DM-017--E-	81	--XL--12CA-010--EE	90	--XS--12AB-003--EE	142	ZP385KCE-TWD-522	20
--WM--12GC-001--EE	139	--XA--12DN-013--EE	83	--XL--12CA-021--EE	87	--XS--12AB-004--EE	142	ZP485KCE-TWD-522	20
--WM--12GD-001--EE	139	--XA--12DN-016--EE	83	--XL--12EJ-001--EE	85	--XS--12AB-005--EE	142	ZR11M3E-TWD-961	21
--WM--12GF-002--EE	139	--XA--12DN-017--EE	83	--XL--12EJ-003--EE	85	--XS--12AB-006--EE	142	ZR11M3E-TWD-961	22
--XA--12AB-005--EE	79	--XA--12FA-002--EE	102	--XL--12EJ-005--EE	85	--XS--12AD-001--EE	141	ZR12M3E-TWD-961	21
--XA--12AB-010--EE	79	--XA--12FA-003--EE	102	--XL--12EJ-008--E-	85	--XS--12AD-002--EE	141	ZR12M3E-TWD-961	22
--XA--12AB-015--EE	79	--XA--12FA-004--EE	102	--XL--12EJ-009--E-	85	--XS--12AD-003--EE	141	ZR19M3E-TWD-961	21
--XA--12AB-019--EE	79	--XA--12HA-002--EE	80	--XL--12EJ-010--E-	85	--XS--12AD-004--EE	141	ZR19M3E-TWD-961	22
--XA--12AB-022--E-	79	--XA--12HA-004--EE	80	--XL--12EJ-012--EE	85	--XS--12AD-005--EE	141	ZR90K3E-TWD-961	21
--XA--12AB-026--EE	79	--XA--12HA-005--EE	80	--XL--12FA-035--EE	87	--XS--12CA-001--EE	141	ZR90K3E-TWD-961	22
--XA--12AB-035--EE	79	--XA--12HA-006--EE	80	XL12FA038EE	87	--XS--12CA-002--EE	141	ZR94KCETFD-522	21
--XA--12AB-036--EE	79	--XA--12HA-007--EE	80	--XL--12FA-047--EE	87	--XS--12CA-003--EE	141	ZR94KCETFD-522	22
--XA--12AB-044--EE	79	--XA--12HA-015--EE	80	--XL--12FA-049--EE	87	--XW--12DA-024--EE	143	ZR250KCE-TWD-523	21
--XA--12AB-046--EE	79	--XA--12HA-016--EE	80	--XL--12GE-001--EE	128	--XW--12DA-028--EE	143	ZR250KCE-TWD-523	22
--XA--12AB-056--EE	79	--XA--12HA-017--EE	80	--XL--12GE-003--EE	128	--XW--12EA-001--EE	148	ZR310KCE-TWD-523	21
--XA--12AB-057--EE	79	--XF--12DA-005--E-	151	--XL--12GE-004--EE	128	--XW--12EA-002--EE	148	ZR310KCE-TWD-523	22
--XA--12AB-076--EE	79	--XH--12AB-012--EE	129	--XL--12HA-015--EE	126	--XW--12EA-003--EE	148	ZR380KCE-TWD-523	21
--XA--12AB-100--EE	79	--XH--12AB-013--EE	129	--XL--12HA-016--EE	126	--XW--12EA-004--EE	148	ZR380KCE-TWD-523	22
--XA--12AB-200--EE	79	--XH--12AB-014--E-	129	--XL--12QA-002--EE	85	--XW--12EA-005--EE	148		
--XA--12AB-501--EE	79	--XH--12AB-015--E-	129	--XL--12QA-003--EE	85	--XW--12EA-006--EE	149		
--XA--12AB1001--EE	79	--XL--12AA-001--EE	38	--XM--12AE-008--EE	91	--XW--12EA-007--EE	149		
--XA--12AB1400--EE	79	--XL--12AA-001--EE	48	--XM--12AE-009--EE	91	--XW--12EA-008--EE	148		

EMEA REPLACEMENT COMPONENTS DIVISION



www.carrier-ercd.com

Headquarters:

Carrier SCS
EMEA Replacement Components Division
Route de Thil - 01120 Montluel

