

Item n° :

60150944

Model :

EVOPLUS 80/180 XM

Pump data

Pressure rating : 16 bar
 Min. fluid temperature : -10 °C
 Max. fluid temperature : 110 °C
 EEI : ≤ 0,22

Minimum suction head :

Temperature °C 90 100
 Minimum suction head : m 20 25

Requested data

Flow : 0,00 m³/h
 Head : 0,00 m
 Fluid (%) : Water
 Fluid Temperature : 20 °C
 Density : 0,99819 kg/dm³
 Kinematic viscosity : 1,0004 mm²/s
 Vapor pressure : 2,20 kPa

Hydraulic data (duty point)

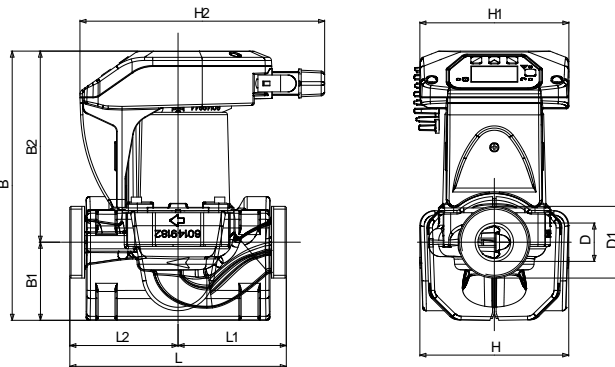
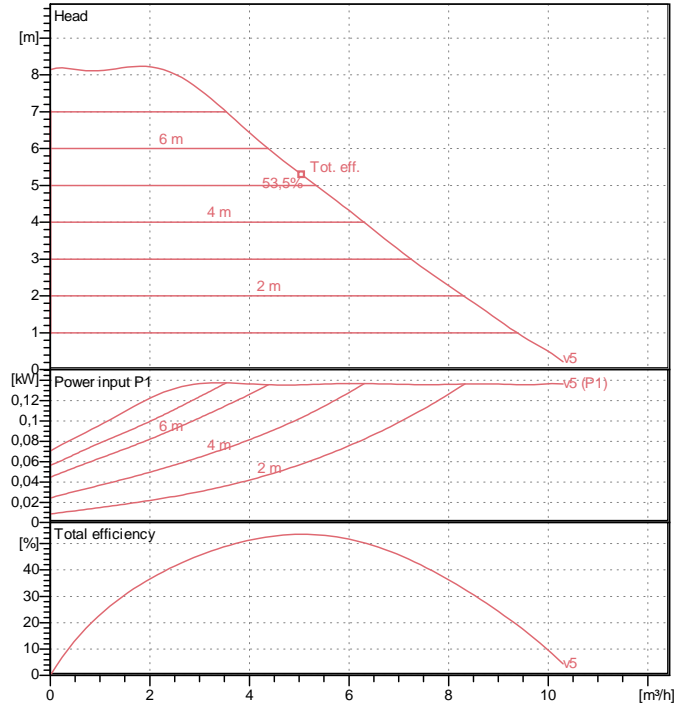
Flow :
 Head :

Materials

Pump body : Cast iron 250 UNI ISO 185 - CTF
 Impeller : Technopolymer
 Motor shaft : Alumina
 Seal ring : EPDM
 Motor casing : Die cast aluminium
 Closing flange : Stainless steel
 Thrust ring support : EPDM

Motor data

Motor brand : DAB
 Power input P1 : 0,1349 kW
 Rated voltage : 1~ 220-240 V 50 Hz
 Nominal current : 0,93 A
 Degree of protection : IP 44

Curve tolerance according to ISO 9906

Dimensions in mm

| | | | | | | | |
|----|------|----|-----|----|----|--|--|
| B | 224 | H | 124 | L2 | 90 | | |
| B1 | 65 | H1 | 124 | | | | |
| B2 | 159 | H2 | 204 | | | | |
| D | 32 | L | 180 | | | | |
| D1 | 2" G | L1 | 90 | | | | |

Weight : 4,7 kg

Pump connection

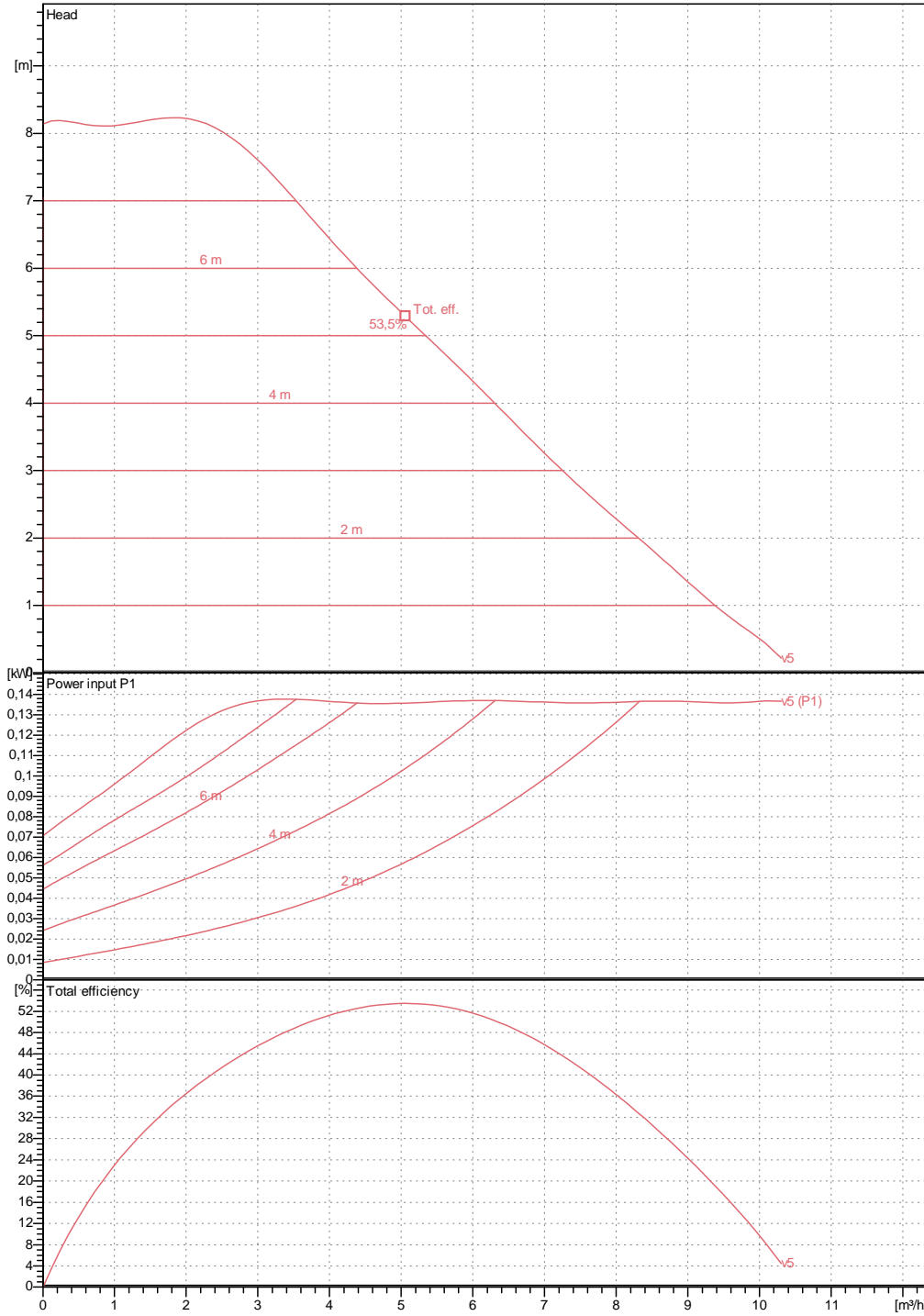
Suction side : 2" G
 Discharge side : 2" G

Receiver

From

EVOPLUS 80/180 XM

Curve tolerance according to ISO 9906



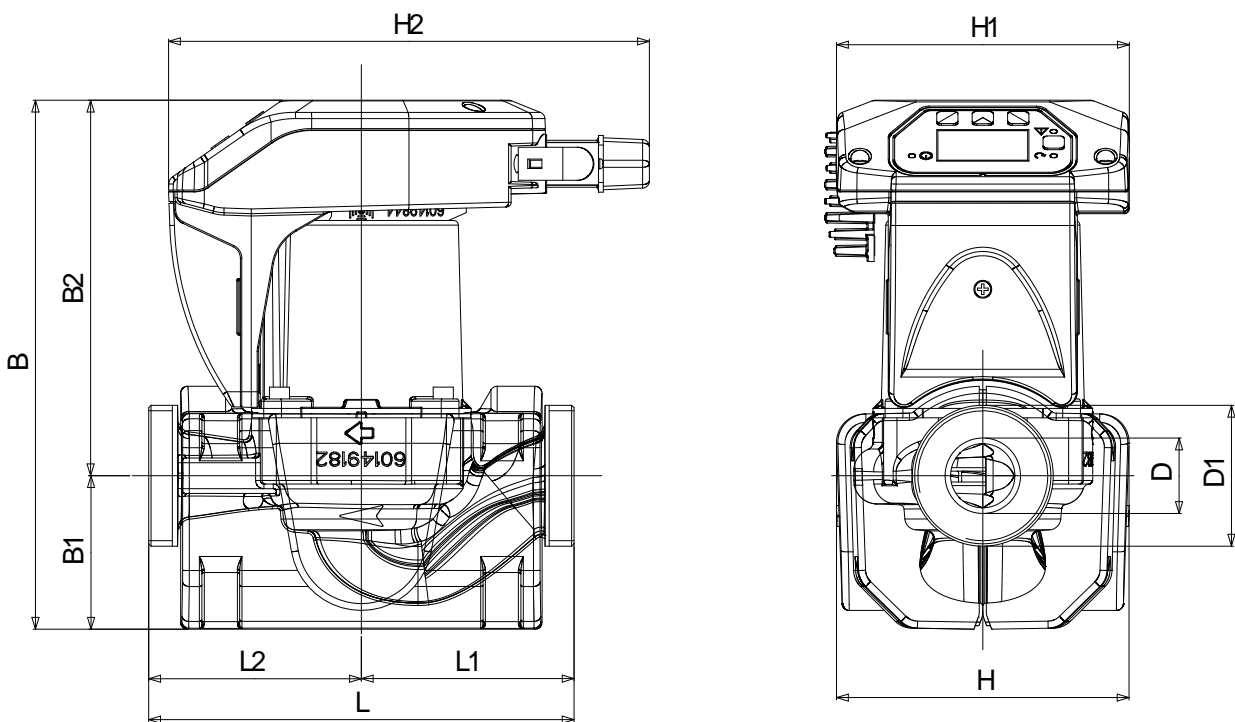
Hydraulic data (duty point)

| | | | | |
|---|---|------------------|---------------------------------|-----------------------------|
| Suction side : 2" G 16 bar (1600 kPa) | Discharge side : 2" G 16 bar (1600 kPa) | Flow : 0 m³/h | Head : 0 m | Rated speed : 2900 1/min |
| Project | Project ID | Created by | Created on 2017-10-02 | |

Receiver

From

EVOPLUS 80/180 XM


Dimensions in mm

| | | | | | | |
|----|----|------|----|----|--|--|
| 1 | B | 224 | L2 | 90 | | |
| 2 | B1 | 65 | | | | |
| 3 | B2 | 159 | | | | |
| 4 | D | 32 | | | | |
| 5 | D1 | 2" G | | | | |
| 6 | H | 124 | | | | |
| 7 | H1 | 124 | | | | |
| 8 | H2 | 204 | | | | |
| 9 | L | 180 | | | | |
| 10 | L1 | 90 | | | | |

Pump connection

Suction
 2" G
 16 bar (1600 kPa)

Discharge
 2" G
 16 bar (1600 kPa)

Project

Project ID

Created by

Created on

2017-10-02