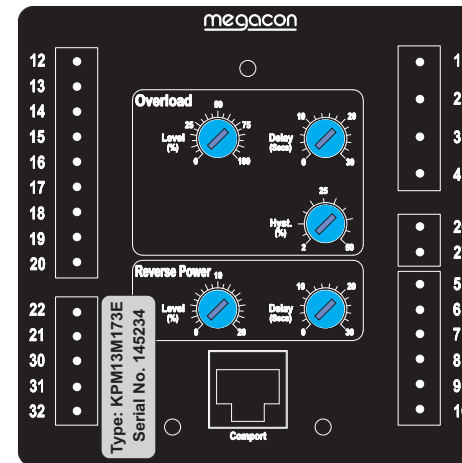
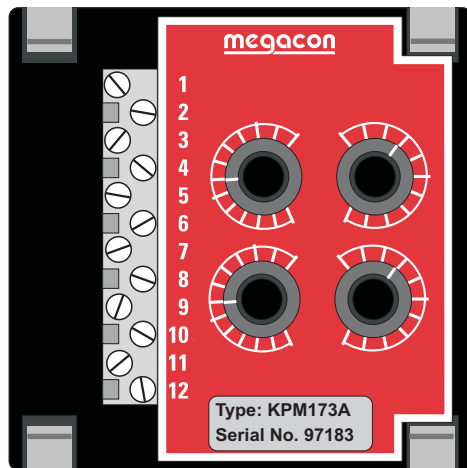
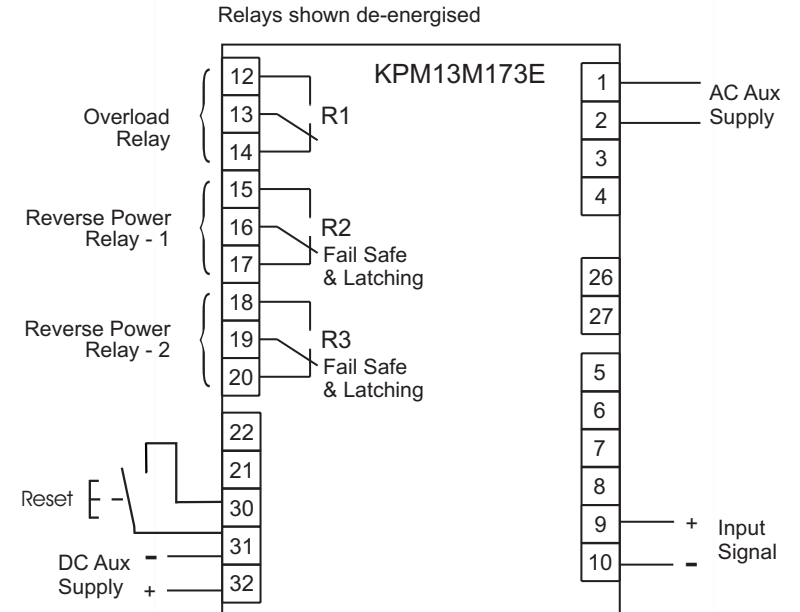


Relays shown de-energised,

KPM173 Terminal	KPM13M173E Terminal
1	1(AC) 32(DC)
2	2(AC) 31(DC)
3	15
4	16
5	17
6	12
7	13
8	14
9	
10	
11	9
12	10



Megacon International - Norway - UK - Denmark

[www.megacon.com](http://www.megacon.com)

Terminal connection changes:  
KPM173 with single part connectors to new style KPM13M173E with two part connectors.

**MTD KPM173 T2-A**

Drawn: MJB Checked:

MJB