



Air moving solutions made simple



AC Fans
DC Fans



AC Blowers
DC Blowers



AC Impellers
DC Impellers



AC
Motors



Accessories

Search

- Part/Model #
- Stock Check
- Cross-Reference
- Keyword

More Products

- Heat Sinks
- Fan Accessories
- Engineering Tools
 - Airflow Calculator
 - Thermal Calculator
 - Unit Conversions
 - Application Notes
- Custom Solutions
- Company Info
- Sales Force

Phone: 858.348.6200 FAX: 858.566.4577

Distributors

Find a Rep

Contact Us

Falcon AC - FA2B3 - 031659
 (Family) (Model) (Part Number)

Electrical Specifications

Rated Voltage:	115 VAC
AC Frequency:	60 Hz
Power Supply:	41.4 Watts
Line Current:	0.36 Amps
Locked Rotor Current	0.75 Amps
Nominal Speed:	3400 RPM

Mechanical Specifications

Dimensions:	6.77in x 2.17in
Weight	36.0 oz
Max Airflow @ 0 in H₂O	292.0 CFM
Max Pressure @ 0 CFM	0.858 in H₂O
Noise	56.5 dBA

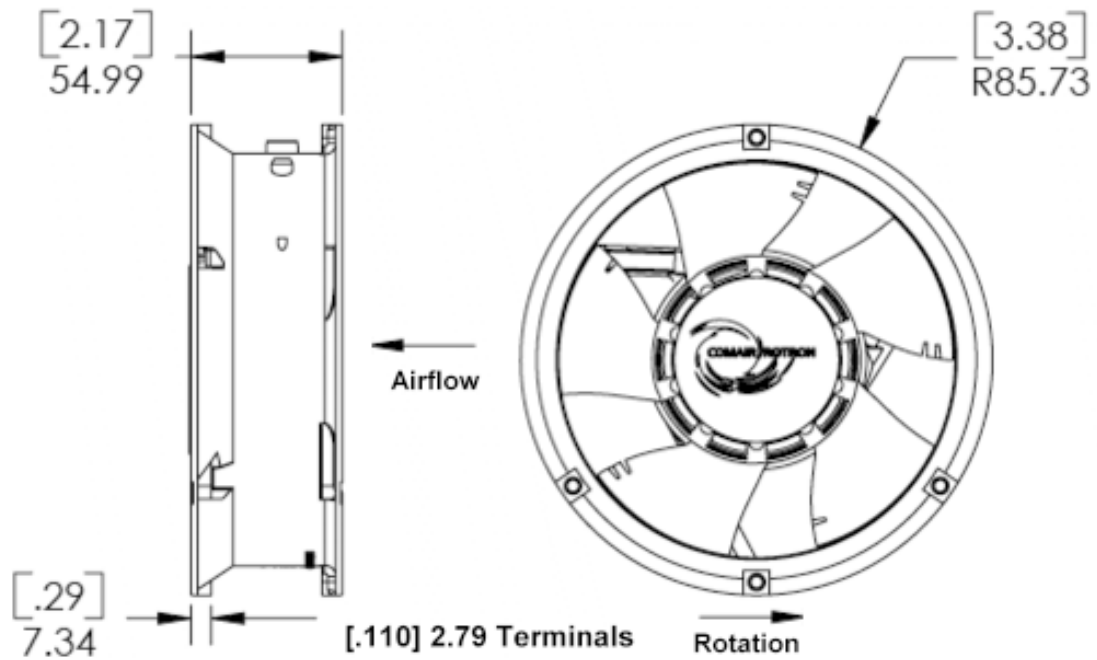
Mechanical Drawing



Detailed
Drawing



Printer-Friendly
Datasheet



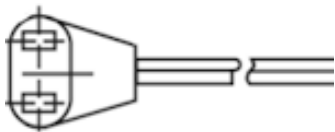
Options

Part Number	Model Number	Bearing Type	Fan Rotation	Termination	In-Stock <small>(Click 'Yes' for current stock)</small>
031659	FA2B3	Ball	Normal	0.110 Terminals	Yes
039678	FA2B6	Ball	Normal	12 in Leads Min	No

<<< Select the fan with desired options, then press the **Update Datasheet** button.

Accessories (Click on part number for detailed drawing.)

428056
Plug and Cord



550440
Plug and Cord

