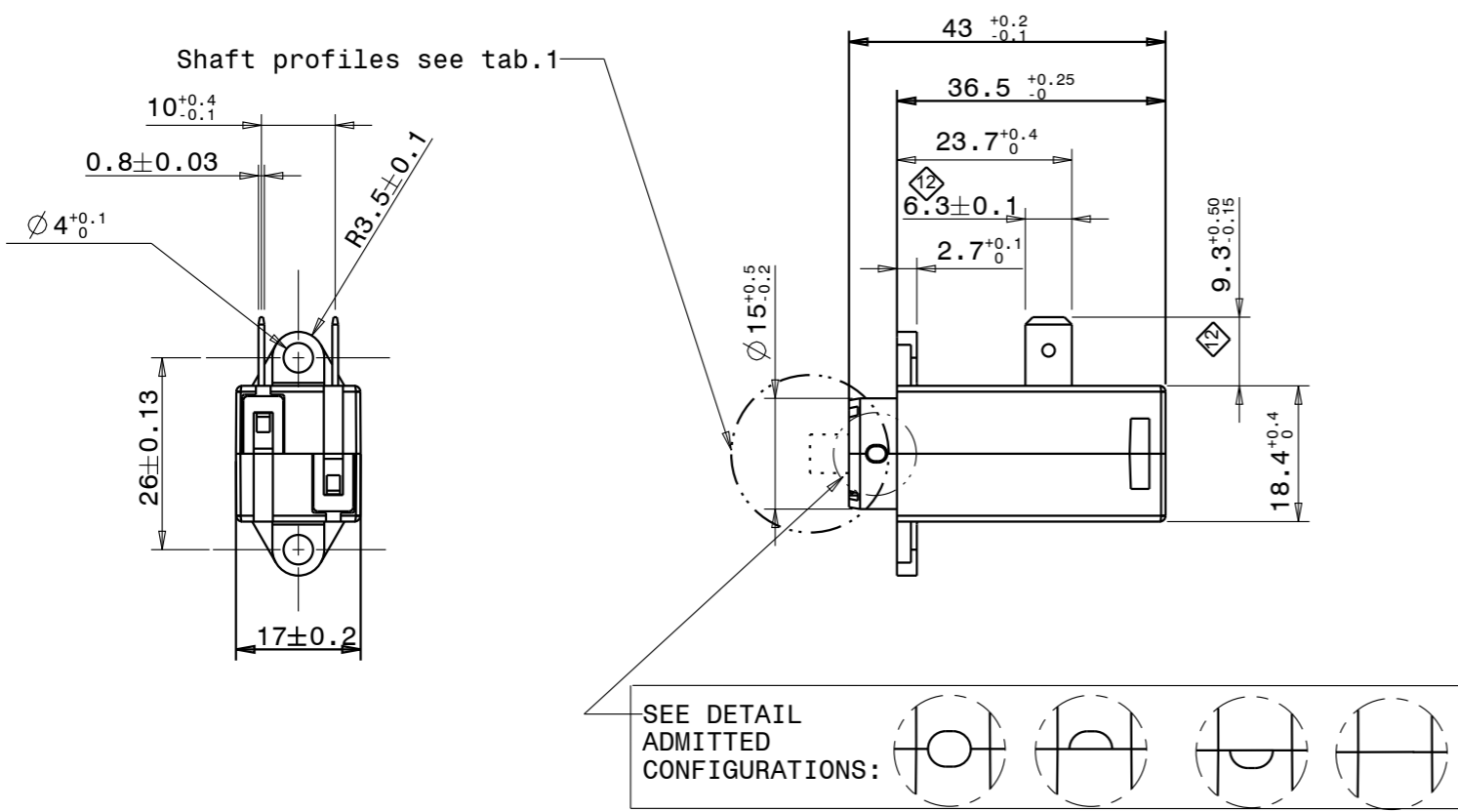


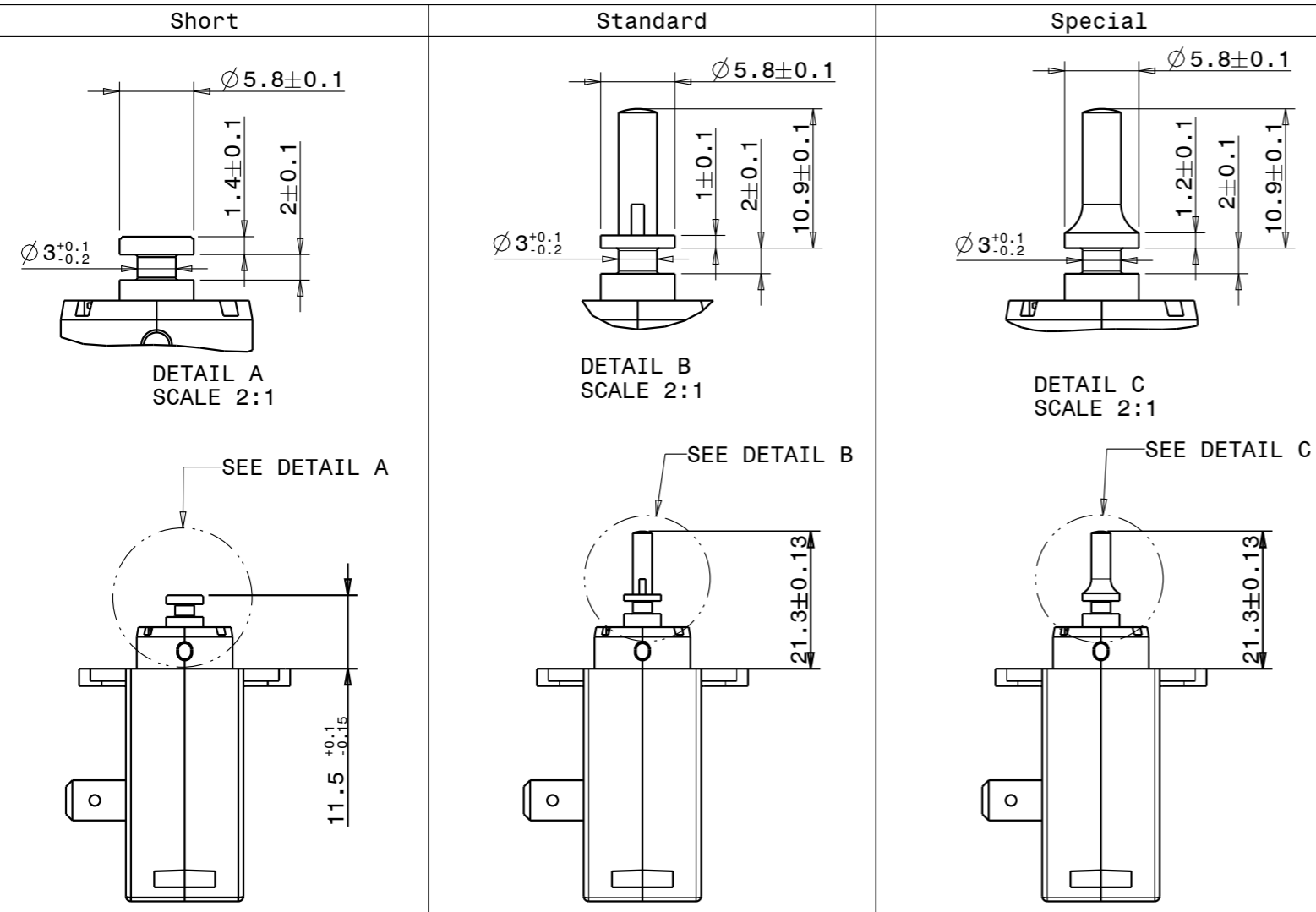
Il fornitore e' tenuto a richiedere le prescrizioni riguardanti la simbologia sulle dimensioni. Il simbolo  $\bullet$  e  $\circ$  e copia della specifica accettazione materiali n. 83.0117.00. Il simbolo  $\diamond$  si riferisce alle zone/quote modificate. The supplier is obliged to request the prescription regarding symbols on the dimensions  $\bullet$   $\circ$  and a copy of the specification concerning materials acceptance n. 83.0117.00. The symbol  $\diamond$  refers to modified area/dimensions.

Questo documento e le informazioni in esso contenute sono di proprieta' ELTEK SpA e devono considerarsi di natura riservata. Pertanto ne e' vietato qualsiasi tipo di utilizzo non preventivamente autorizzato da ELTEK SpA. This document and the information in it contained are property of ELTEK SpA and, as such, they are to be considered reserved. Therefore, any reproduction in any form or by any means, without prior written permission of ELTEK SpA, is forbidden.

General tolerances	120+	180	±.27
	80+	120	±.23
	50+	80	±.19
	30+	50	±.16
	18+	30	±.13
	< 18		±.10
Angles	± 2°		



Tab. 1 Shaft profiles



Thermoactuator	Marking	Stroke-time diagram	Shaft type		Type ON time
			profile	colour	
10.0331.00	220/240 V	12.0096.00	Standard	Brown	short
10.0331.01	110/240 V	12.0096.01	Standard	Brown	short
10.0331.04	12/24 V	12.0096.04	Standard	Brown	long
10.0331.05	12/24 V	12.0096.04	Standard	Brown	long
10.0331.07	110/240 V	12.0096.07	Standard	Brown	long
10.0331.10	110/240 V	12.0096.10	Standard	Brown	short
10.0331.11	220/240 V	12.0096.11	Standard	Brown	long
10.0331.12	220/240 V	12.0096.11	Standard	Brown	long
10.0331.14	220/240 V	12.0096.14	Standard	Brown	long
10.0331.15	220/240 V	12.0096.00	Standard	Brown	short
10.0331.16	110/120 V	12.0096.01	Standard	Brown	short
10.0331.17	12/24 V	12.0096.17	Standard	Brown	long
10.0331.22	110/240 V	12.0096.14	Standard	Black	long
10.0331.23	12/24 V	12.0096.04	Standard	Brown	long
10.0331.24	110/240 V	12.0096.14	Short	Brown	long
10.0331.26	110/240 V	12.0096.14	Special	Black	long
10.0331.30	110/240 V	12.0096.01	Short	Brown	short
10.0331.31	110/240 V	12.0096.31	Short	Brown	short
10.0331.35	110/240 V	12.0096.14	Short	Brown	long
10.0331.36	110/240 V	12.0096.36	Short	Brown	long
10.0331.37	110/240 V	12.0096.11	Short	Brown	long
10.0331.38	12/24 V	12.0096.38	Short	Brown	long
10.0331.40	110/240 V	12.0096.40	Short	Brown	short
10.0331.42	110/240 V	12.0096.33	Short	Brown	long
10.0331.43	110/240 V	12.0096.43	Short	Brown	long
10.0331.44	12/24 V	12.0096.04	Short	Brown	long

Long ON time do not energize for more than: 12 hours  
Short ON time do not energize for more than: 2 minutes

Note: this drawing can be applied to all the thermoactuators quoted in tab.2  
The stroke-time diagrams corresponding to every single type of single type of actuator are quoted in tab.2  
For technical data refer to the Technical Specification code 82.0331.00

"The thermoactuator has a grade of protection : IP00 (not protected, ref. IEC 60529).  
For more details refer to technical specification code 82033100"

All above p.n. are approved: 03

12	Modification type ON time to: 10033104,1033105,10033138 e 10033144(it was short) adjust dimension 6.3±0.1(it was 6.3 +0.1-0);9.3+0.5-0.15(it was 9.3+0.5-0)	16/06/14	SEGALINI	Drawn: SEGALINI
11	Added code: 100331.22/23/24	15/01/14	SEGALINI	Date: 03/11/06
10	Modification: delete type ON time very short code: 10.0331.19;10.0331.20; 10.0331.32. Added in notes C-UL approvals, modification marking 12V or 24V in 12/24V.	27/05/13	SEGALINI	Checked: GAJ
09	Modification: 10.0331.44 brown plunger colour (it was black)	13/12/11	SEGALINI	Date: 16/06/14
08	Modification:*removed from 10.0331.40,removed 10.0331.33 note on IP00 protection grade added	11/10/11	SEGALINI	Scale: 1:1
07	Modification: 10.0331.38 version added, modified housing geometry for addition of slot, modification of plunger color for 10.0331.32 (it was black)	14/06/11	SEGALINI	Volume: [mm <sup>3</sup> ]
06	Modification of plunger color of the 10.0331.44 version (it was brown)	03/09/10	SEGALINI	Weight [g]: 19.5
Rev	Modification Description	Date	By	Replace
Drawing Size	First angle projection	Material		
A3		Colour		
		Description		
ELTEK S.p.A. - Casale Monf. ITALY		10.0331.A1.12		