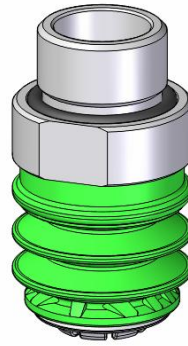


Vacuum Technology

VMECA Magic Suction Cup



Magic Suction Cup



Bellows cartridge
 (B1.5/20, B1.5/40
 B2.5/20, B2.5/40)
 No Bellow distortion by
 vacuum pressure when
 grab the object

Sealing Lip

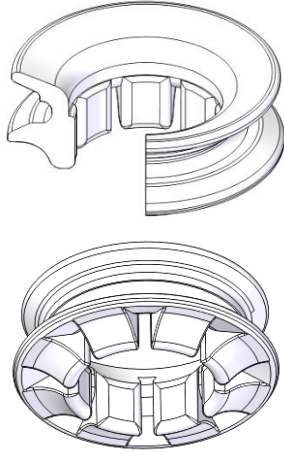
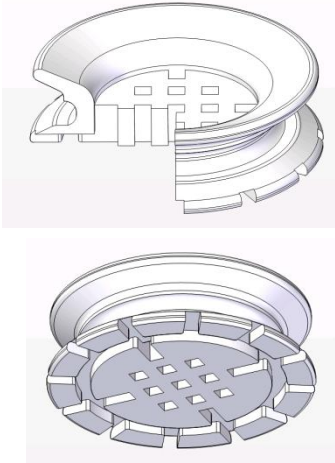
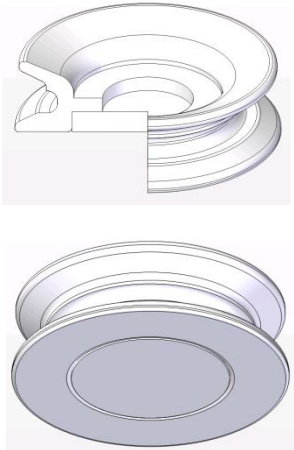
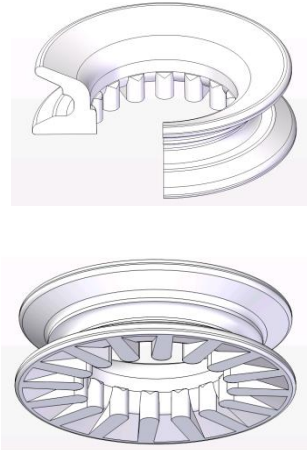


X Type (X25,X30,X45,X55)	U Type (U25,U30,U45,U55)	F Type (F25,F30,F45,F55)
<ul style="list-style-type: none"> • X type Sealing Lip is very good to handle a thin plastic bag handling. 	<ul style="list-style-type: none"> • U type Sealing Lip is suitable for flat and slightly curved object handling. 	<ul style="list-style-type: none"> • F type Sealing Lip is suitable for flat, thin box, plastic and glass object handling.

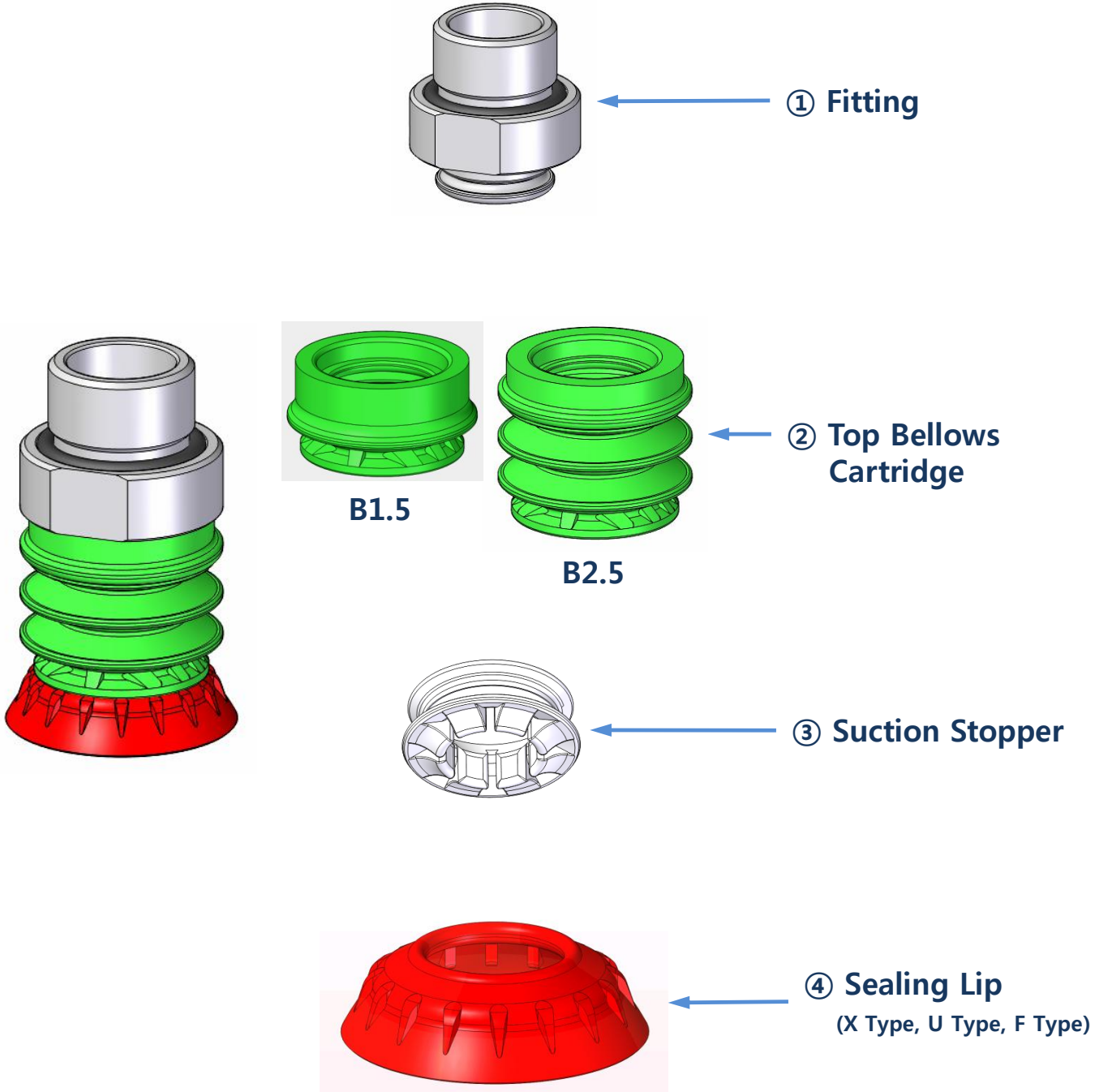
◆ Common Feature

- Can replace when Sealing Lip is worn out
- Easy and fast replacement
- Easy replacement with different Size of Sealing lip when change the object

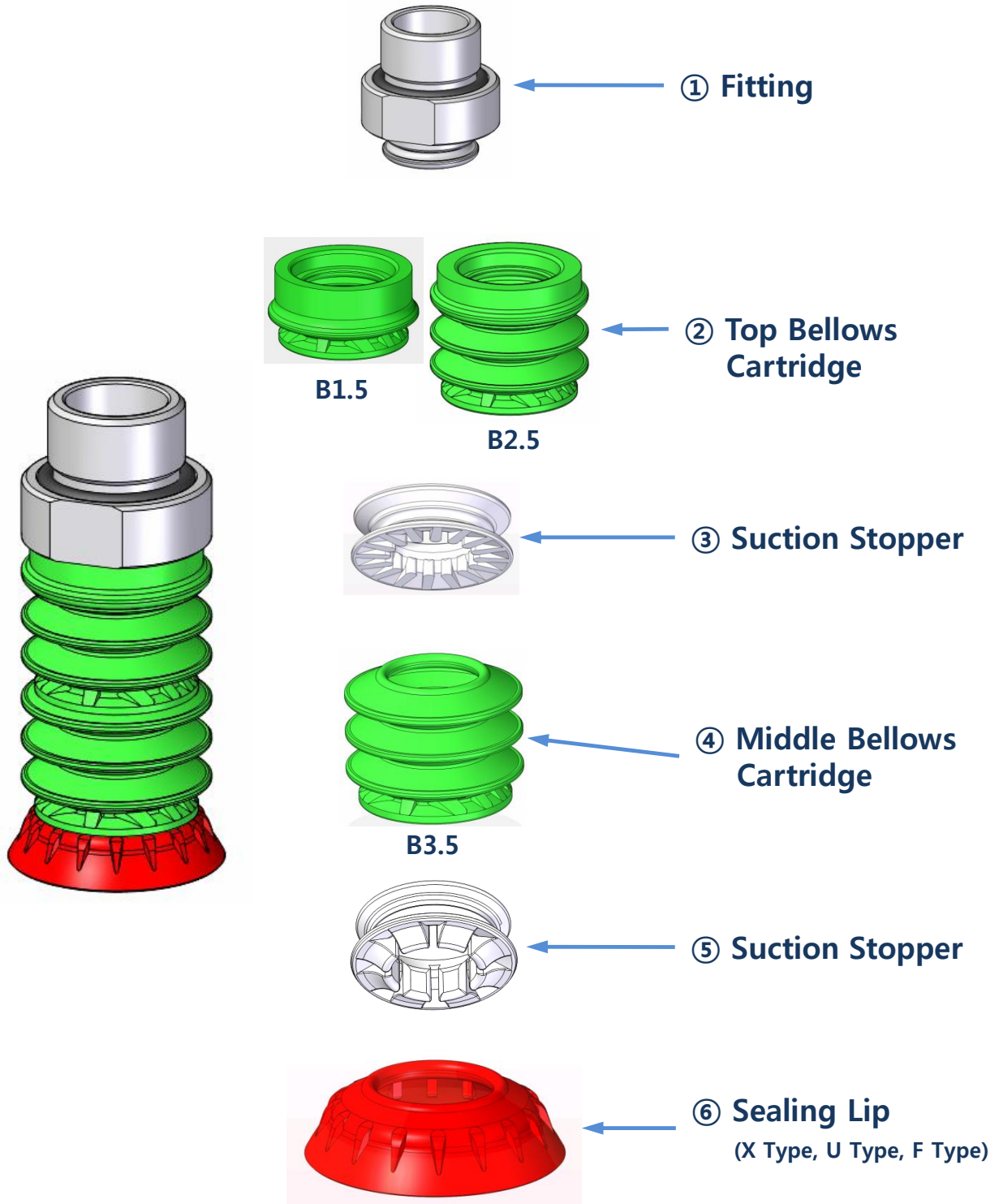
➤ Feature of Suction Stopper

Stopper A	Stopper B
	
<ul style="list-style-type: none"> • Use for Sealing Lip X Type • Good to handle a thin plastic bag 	<ul style="list-style-type: none"> • Use for Sealing Lip X & U & F Type • Good to transfer plastic bags and flexible objects • No mark when grab the plastic bag.
Stopper C	Stopper D
	
<ul style="list-style-type: none"> • Use for Sealing Lip X & U Type • No product damage and change by suction pad • No leave a mark. 	<ul style="list-style-type: none"> • Use for Sealing Lip X & U Type • Use for connecting each Bellows cartridge • Good to transfer flat and thin object





B1.5 or B2.5 Magic Suction Cup



B5.0 or B6.0 Magic Suction Cup



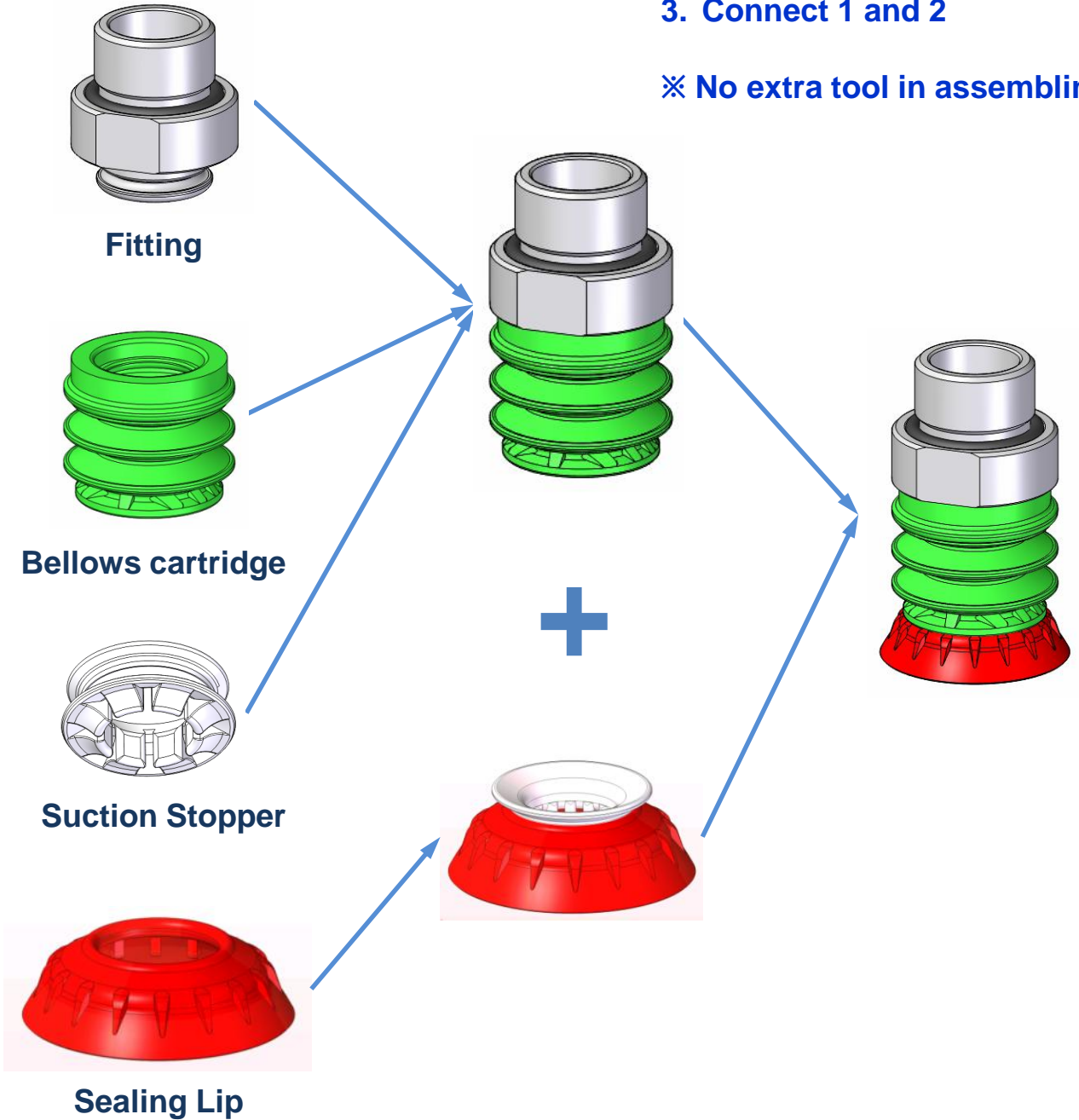
➤ Product Form and explanation

	Product Form	Feature
B1.5		<ul style="list-style-type: none"> • Standard Bellows cartridge. • Good to handle light object. • Excellent with narrow space applications.
B2.5		<ul style="list-style-type: none"> • Transfer an object has a difference in the height from a flat surface.
B5.0		<ul style="list-style-type: none"> • Adjust height by adding 1pc of sub-cartridge in standard Bellows cartridge. • Excellent in transferring an object has a difference in the height
B6.0		<ul style="list-style-type: none"> • Use for curved object according to the application. • Good to handle flexible object. <p>※ The most effective composition in adjusting the height.</p>

➤ Assembly sequence

1. Assemble Fitting and Bellows cartridge first
2. Assemble Stopper and Sealing Lip
3. Connect 1 and 2

※ No extra tool in assembling.

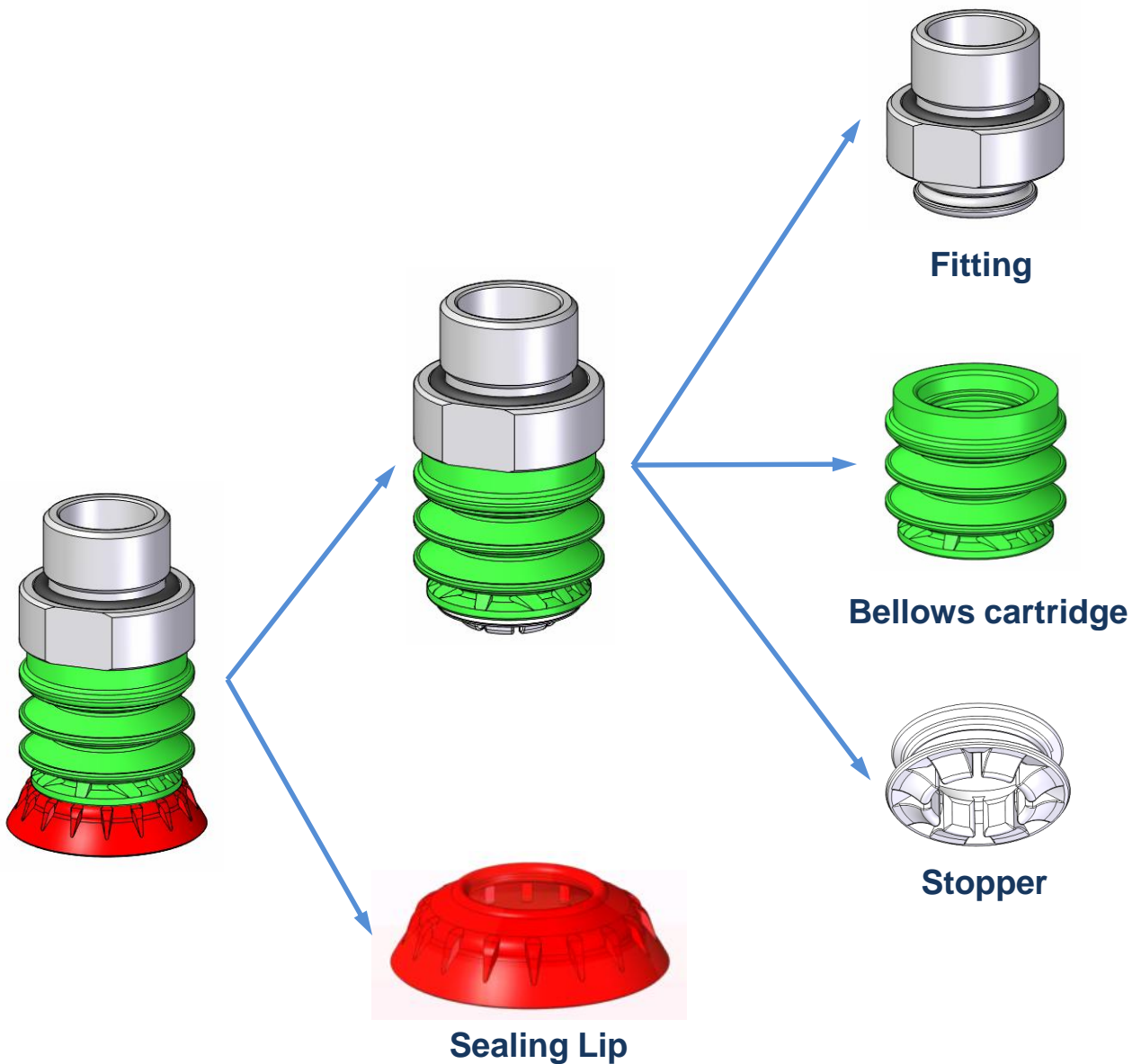


➤ Disassembly sequence




1. Disassemble Sealing Lip first

2. Disassemble Fitting, Bellows cartridge, and Stopper each

※ No extra tool in disassembling.



➤ Sorts and Features of Sealing Lip(Suction Cup)

Model		Product Form	Feature
X TYPE	B1.5/20 B2.5/20 (Ø25,Ø30)		<ul style="list-style-type: none"> • Grab thin plastic bag (ex) plastic bag, pouch bag  
	B1.5/40 B2.5/40 (Ø45,Ø55)		
U TYPE	B1.5/20 B2.5/20 (Ø25,Ø30)		<ul style="list-style-type: none"> • Thin object • Suitable with flat and curved surfaces • Good to handle a slightly deep or convex object. (ex) Carton box, Plastic plate, Veneer sheet, Thin metal plate, Curved surface 
	B1.5/40 B2.5/40 (Ø45,Ø55)		
F TYPE	B1.5/20 B2.5/20 (Ø25,Ø30)		<ul style="list-style-type: none"> • Suitable with flat and thin box, plastic and glass object.
	B1.5/40 B2.5/40 (Ø45,Ø55)		

- Replace only sealing lip.
- Easy and fast replacement.
- Easy replacement with different size of sealing lip when change the object.

B 2.5 Application



B 6.0 Application



B 1.5 - X type

Feature

- Best adaptation for thin plastic bag/ film

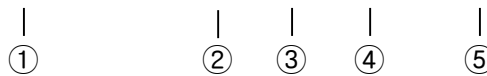
Application

- Plastic bag · Pouch bag



Order No.

B 1.5/20 - X25 - S - A - M - 38M



① B 1.5 - X Type Model		
B1.5/20 - X25	-	Ø 25
B1.5/20 - X30	-	Ø 30
B1.5/40 - X45	-	Ø 45
B1.5/40 - X55	-	Ø 55

② Material		
S	-	Silicon
WS	-	White Silicon
N	-	NBR
PU	-	Polyurethane

③ Suction Stopper (for thin plastic bag suction)		
A	-	★★★
B	-	★★★
C	-	★
D	-	★

④ Material		
No Mark	-	Standard
M	-	Mesh Filter

⑤ Thread Size		
38M	-	G3/8" male
14M	-	G1/4" male
14F	-	G1/4" female
18M	-	G1/8" male
18F	-	G1/8" female

★★★ - excellent
★★ - very good
★ - good

* Bellows cartridge – GPU (Green Polyurethane)

Recommended (max.) lifting force

Model	Volume (cm ³)	Perpendicular Lifting Force (kg)		
		-20kPa	-60kPa	-90kPa
B 1.5/20 - X25	3.09	0.80	1.79	2.44
B 1.5/20 - X30	4.42	1.08	2.13	2.62
B 1.5/40 - X45	16.41	2.14	3.57	5
B 1.5/40 - X55	23.05	2.60	5.27	5.92

B 2.5 - X type

Feature

- Best adaptation for thin plastic bag/ film

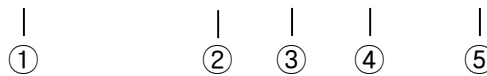
Application

- Plastic bag - Pouch bag



Order No.

B 2.5/20 - X25 - S - A - M - 38M



① B 2.5 - X Type Model		
B2.5/20 - X25	-	Ø 25
B2.5/20 - X30	-	Ø 30
B2.5/40 - X45	-	Ø 45
B2.5/40 - X55	-	Ø 55

② Material		
S	-	Silicon
WS	-	White Silicon
N	-	NBR
PU	-	Polyurethane

③ Suction Stopper (for thin plastic bag suction)		
A	-	★★★
B	-	★★★
C	-	★
D	-	★

④ Material		
No Mark	-	Standard
M	-	Mesh Filter

⑤ Thread Size		
38M	-	G3/8" male
14M	-	G1/4" male
14F	-	G1/4" female
18M	-	G1/8" male
18F	-	G1/8" female

★★★ - excellent
★★ - very good
★ - good

* Bellows cartridge – GPU (Green Polyurethane)

Recommended (max.) lifting force

Model	Volume (cm ³)	Perpendicular Lifting Force (kg)		
		-20kPa	-60kPa	-90kPa
B 2.5/20 - X25	4.62	0.80	1.79	2.44
B 2.5/20 - X30	5.95	1.08	2.13	2.62
B 2.5/40 - X45	23.84	2.14	3.57	5
B 2.5/40 - X55	30.48	2.60	5.27	5.92

B 5.0 - X type

Feature

- Best adaptation for thin plastic bag/ film

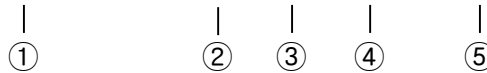
Application

- Plastic bag - Pouch bag



Order No.

B 5.0/20 - X30 - S - A - M - 38M



① B 5.0 - X Type Model		
B5.0/20 - X25	-	Ø 25
B5.0/20 - X30	-	Ø 30
B5.0/40 - X45	-	Ø 45
B5.0/40 - X55	-	Ø 55

② Material		
S	-	Silicon
WS	-	White Silicon
N	-	NBR
PU	-	Polyurethane

③ Suction Stopper (for thin plastic bag suction)		
A	-	★★★
B	-	★★★
C	-	★
D	-	★

④ Material		
No Mark	-	Standard
M	-	Mesh Filter

⑤ Thread Size		
38M	-	G3/8" male
14M	-	G1/4" male
14F	-	G1/4" female
18M	-	G1/8" male
18F	-	G1/8" female

★★★ - excellent
★★ - very good
★ - good

* Bellows cartridge – GPU (Green Polyurethane)

Recommended (max.) lifting force

Model	Volume (cm ³)	Perpendicular Lifting Force (kg)		
		-20kPa	-60kPa	-90kPa
B 5.0/20 - X25	4.42	0.80	1.79	2.44
B 5.0/20 - X30	7.37	1.08	2.13	2.62
B 5.0/40 - X45	35.77	2.14	3.57	5
B 5.0/40 - X55	42.77	2.60	5.27	5.92

B 6.0 - X type

Feature

- Best adaptation for thin plastic bag/ film

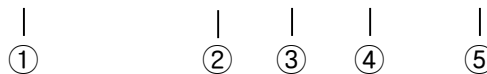
Application

- Plastic bag · Pouch bag



Order No.

B 6.0/20 - X30 - S - A - M - 38M



① **B 6.0 - X Type Model**

B6.0/20 – X25	-	Ø 25
B6.0/20 – X30	-	Ø 30
B6.0/40 – X45	-	Ø 45
B6.0/40 – X55	-	Ø 55

② **Material**

S	-	Silicon
WS	-	White Silicon
N	-	NBR
PU	-	Polyurethane

③ **Suction Stopper (for thin plastic bag suction)**

A	-	★★★★
B	-	★★★★
C	-	★
D	-	★

④ **Material**

No Mark	-	Standard
M	-	Mesh Filter

⑤ **Thread Size**

38M	-	G3/8" male
14M	-	G1/4" male
14F	-	G1/4" female
18M	-	G1/8" male
18F	-	G1/8" female

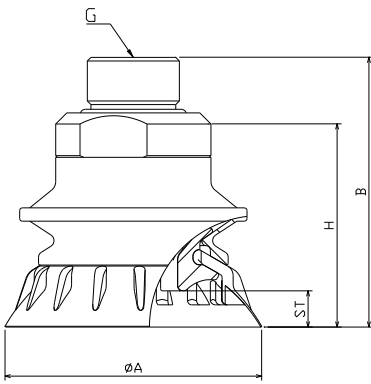
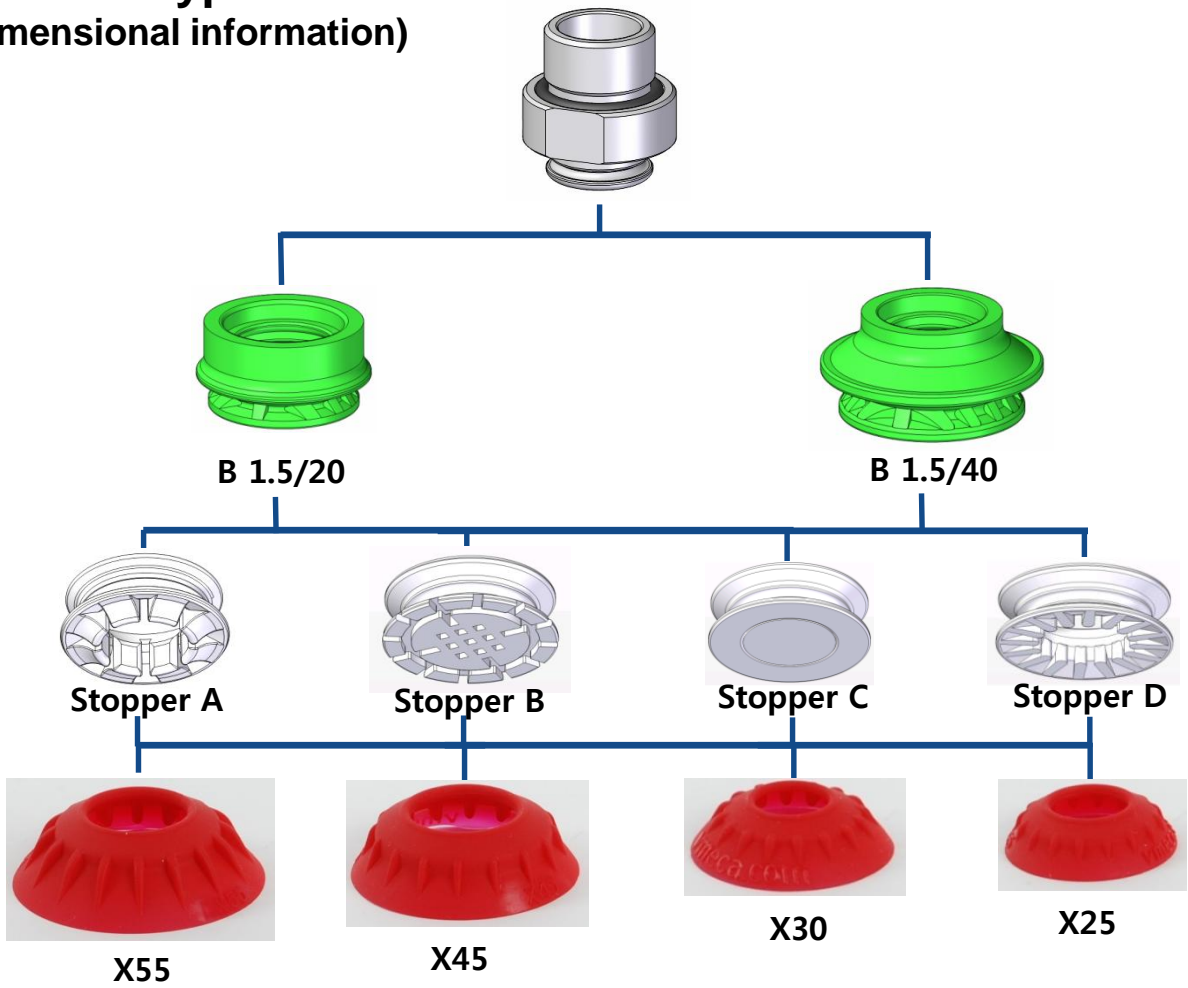
★★★★ - excellent
 ★★★ - very good
 ★ - good

* Bellows cartridge – GPU
 (Green Polyurethane)

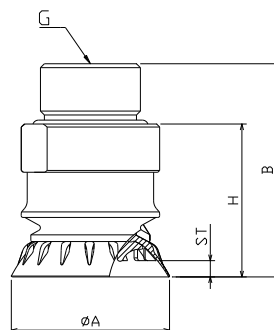
Recommended (max.) lifting force

Model	Volume (cm ³)	Perpendicular Lifting Force (kg)		
		-20kPa	-60kPa	-90kPa
B 6.0/20 – X25	7.55	0.80	1.79	2.44
B 6.0/20 – X30	8.9	1.08	2.13	2.62
B 6.0/40 – X45	43.2	2.14	3.57	5
B 6.0/40 – X55	50.2	2.60	5.27	5.92

B 1.5 – X type
(Dimensional information)



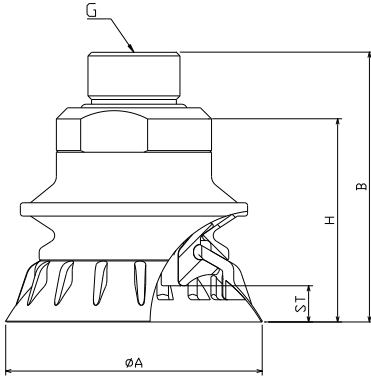
[B 1.5/40 - X□]



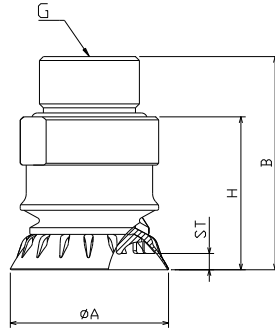
[B 1.5/20 - X□]

Fitting		
14F	-	G1/4" female
14M	-	G1/4" male
38M	-	G3/8" male
18F	-	G1/8" female
18M	-	G1/8" male

B 1.5 / 5.0 – X type (Dimensional information)



[B 1.5/40 - X□]

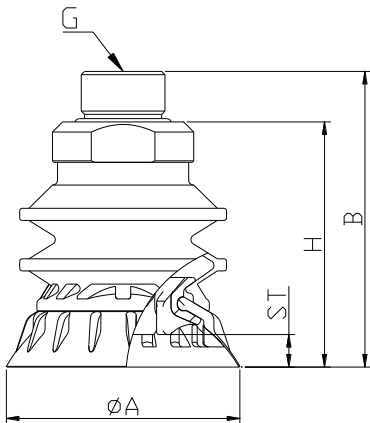
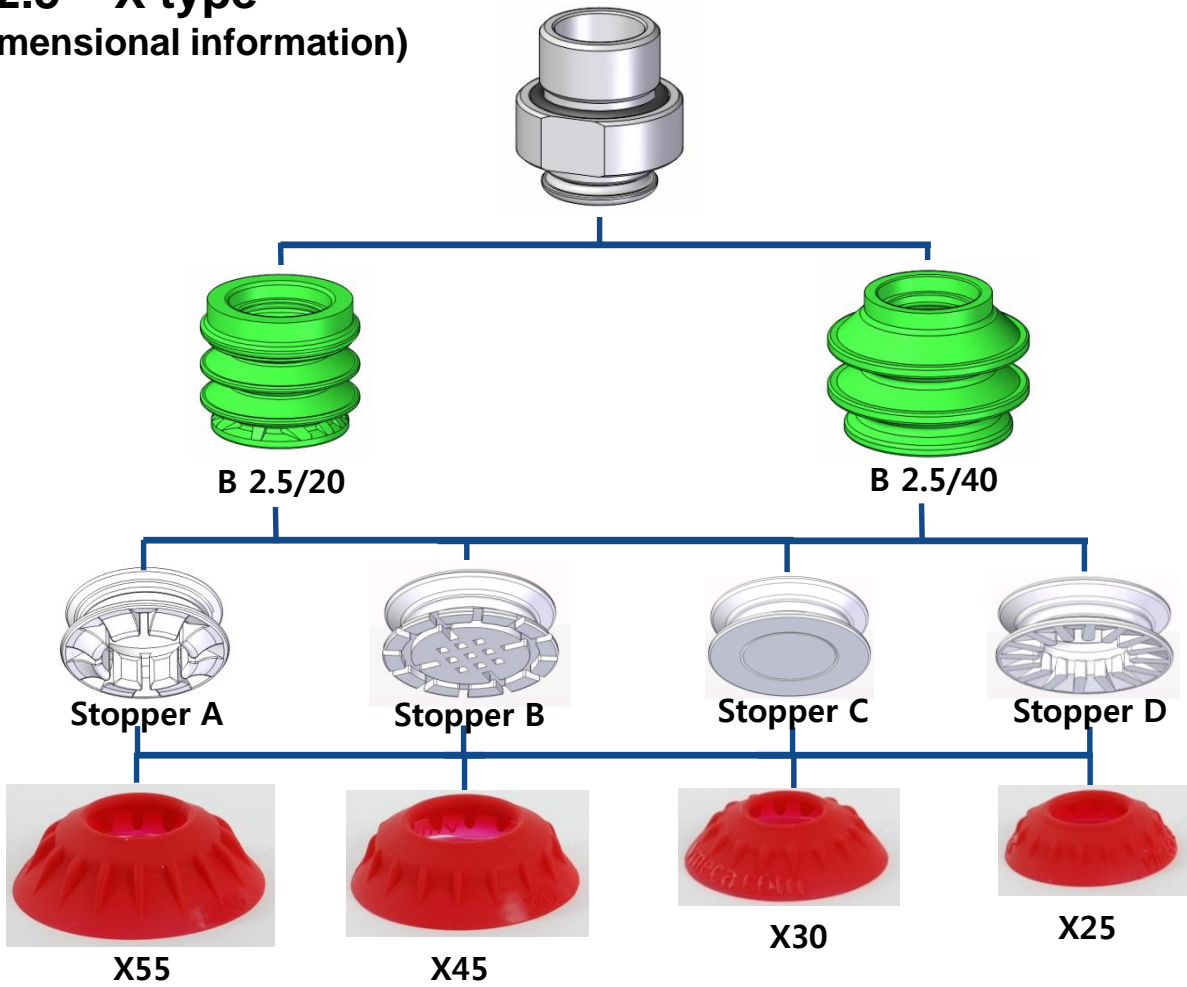


[B 1.5/20 - X□]

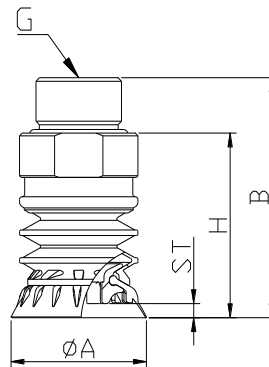
Fitting		
14F	-	G1/4" female
14M	-	G1/4" male
38M	-	G3/8" male
18F	-	G1/8" female
18M	-	G1/8" male

Model	ØA	G	ST	H	B
B 1.5/20 – X25	26	female : 1/4", 1/8" male : 1/4", 1/8", 3/8"	2.7	25.37	35.37
B 1.5/20 – X30	32		4.06	26.83	36.83
B 5.0/20 – X25	26		2.7	41.09	51.09
B 5.0/20 – X30	32		4.06	42.55	52.55
B 1.5/40 – X45	46		6.52	38.57	48.57
B 1.5/40 – X55	54.5		9.5	41.55	51.55
B 5.0/40 – X45	46		6.52	70.94	80.94
B 5.0/40 – X55	54.5		9.5	73.92	90.94

B 2.5 – X type
(Dimensional information)



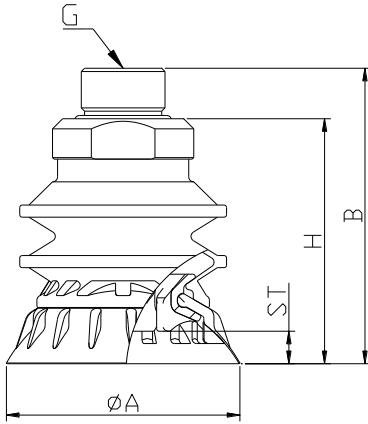
[B 2.5/40 - X□]



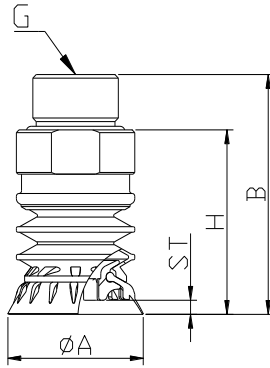
[B 2.5/20 - X□]

Fitting		
14F	-	G1/4" female
14M	-	G1/4" male
38M	-	G3/8" male
18F	-	G1/8" female
18M	-	G1/8" male

B 2.5 / 6.0 – X type (Dimensional information)



[B 2.5/40 - X□]



[B 2.5/20 - X□]

Fitting		
14F	-	G1/4" female
14M	-	G1/4" male
38M	-	G3/8" male
18F	-	G1/8" female
18M	-	G1/8" male

Model	ØA	G	ST	H	B (38M기준)
B 2.5/20 – X25	26	female : 1/4", 1/8" male : 1/4", 1/8", 3/8"	2.55	33.35	43.35
B 2.5/20 – X30	32		4.05	34.85	44.85
B 6.0/20 – X25	26		2.55	49.04	59.04
B 6.0/20 – X30	32		4.05	50.54	60.54
B 2.5/40 – X45	46		6.44	48.54	58.54
B 2.5/40 – X55	54.5		9.44	51.54	61.54
B 6.0/40 – X45	46		6.44	80.53	90.53
B 6.0/40 – X55	54.5		9.44	83.53	93.53

B 1.5 - U type

Feature

- Suitable with flat and curved surfaces
- Good to handle a slightly deep object.
- Transfer smooth surface or a slightly curved object
- Thin material handling.



Application

- Curved surface
- Thin metal plate
- Plastic plate
- Veneer sheet
- Carton box

Order No.

B 1.5/20 - U30 - S - B - M - 38M - EV



① **B 1.5 - U Type Model**

B1.5/20 - U25	-	Ø 25
B1.5/20 - U30	-	Ø 30
B1.5/40 - U45	-	Ø 45
B1.5/40 - U55	-	Ø 55

② **Material**

S	-	Silicon
WS	-	White Silicon
N	-	NBR
PU	-	Polyurethane

③ **Suction Stopper**

B	-	Plastic bag and flexible object
C	-	Mark free by pad
D*	-	Thin and flat object

*also use at connecting part

④ **Material**

No Mark	-	Standard
M	-	Mesh Filter

⑤ **Thread Size**

38M	-	G3/8" male
14M	-	G1/4" male
14F	-	G1/4" female
18M	-	G1/8" male
18F	-	G1/8" female

⑥ **Valve**

No Mark	-	Standard
EV	-	Vacuum Efficiency Valve

* Bellows cartridge – GPU (Green Polyurethane)

Recommended (max.) lifting force

Model	Volume (cm ³)	Perpendicular Lifting Force (kg)		
		-20kPa	-60kPa	-90kPa
B1.5/20 - U25	2.14	0.83	2.20	3.06
B1.5/20 - U30	2.92	1.22	2.45	3.06
B1.5/40 - U45	11.45	2.55	5.66	9.18
B1.5/40 - U55	16.17	3.78	7.09	9.56

B 2.5 - U type

Feature

- Suitable with flat and curved surfaces
- Good to handle a slightly deep object.
- Transfer smooth surface or a slightly curved object
- Thin material handling.



Application

- Curved surface
- Thin metal plate
- Plastic plate
- Veneer sheet
- Carton box

Order No.

B 2.5/20 - U30 - S - B - M - 38M - EV



① **B 2.5 - U Type Model**

B2.5/20 - U25	-	Ø 25
B2.5/20 - U30	-	Ø 30
B2.5/40 - U45	-	Ø 45
B2.5/40 - U55	-	Ø 55

② **Material**

S	-	Silicon
WS	-	White Silicon
N	-	NBR
PU	-	Polyurethane

③ **Suction Stopper**

B	-	Plastic bag and flexible object
C	-	Mark free by pad
D*	-	Thin and flat object

*also use at connecting part

④ **Material**

No Mark	-	Standard
M	-	Mesh Filter

⑤ **Thread Size**

38M	-	G3/8" male
14M	-	G1/4" male
14F	-	G1/4" female
18M	-	G1/8" male
18F	-	G1/8" female

⑥ **Valve**

No Mark	-	Standard
EV	-	Vacuum Efficiency Valve

* Bellows cartridge – GPU (Green Polyurethane)

Recommended (max.) lifting force

Model	Volume (cm ³)	Perpendicular Lifting Force (kg)		
		-20kPa	-60kPa	-90kPa
B2.5/20 - U25	3.67	0.83	2.20	3.06
B2.5/20 - U30	4.45	1.22	2.45	3.06
B2.5/40 - U45	18.88	2.55	5.66	9.18
B2.5/40 - U55	23.6	3.78	7.09	9.56

B 5.0 - U type

Feature

- Suitable with flat and curved surfaces
- Good to handle a slightly deep object.
- Transfer smooth surface or a slightly curved object
- Thin material handling.



Application

- Curved surface
- Thin metal plate
- Plastic plate
- Veneer sheet
- Carton box

Order No.

B 5.0/40 - U55 - S - B - M - 38M - EV



① **B 5.0 - U Type Model**

B5.0/20 - U25	-	Ø 25
B5.0/20 - U30	-	Ø 30
B5.0/40 - U45	-	Ø 45
B5.0/40 - U55	-	Ø 55

② **Material**

S	-	Silicon
WS	-	White Silicon
N	-	NBR
PU	-	Polyurethane

③ **Suction Stopper**

B	-	Plastic bag and flexible object
C	-	Mark free by pad
D*	-	Thin and flat object

*also use at connecting part

④ **Material**

No Mark	-	Standard
M	-	Mesh Filter

⑤ **Thread Size**

38M	-	G3/8" male
14M	-	G1/4" male
14F	-	G1/4" female
18M	-	G1/8" male
18F	-	G1/8" female

⑥ **Valve**

No Mark	-	Standard
EV	-	Vacuum Efficiency Valve

* Bellows cartridge – GPU (Green Polyurethane)

Recommended (max.) lifting force

Model	Volume (cm ³)	Perpendicular Lifting Force (kg)		
		-20kPa	-60kPa	-90kPa
B5.0/20 - U25	5.02	0.83	2.20	3.06
B5.0/20 - U30	5.81	1.22	2.45	3.06
B5.0/40 - U45	31.04	2.55	5.66	9.18
B5.0/40 - U55	35.73	3.78	7.09	9.56

B 6.0 - U type

Feature

- Suitable with flat and curved surfaces
- Good to handle a slightly deep object.
- Transfer smooth surface or a slightly curved object
- Thin material handling.



Application

- Curved surface
- Thin metal plate
- Plastic plate
- Veneer sheet
- Carton box

Order No.

B 6.0/40 - U55 - S - B - M - 38M - EV



① **B 6.0 - U Type Model**

B6.0/20 - U25	-	Ø 25
B6.0/20 - U30	-	Ø 30
B6.0/40 - U45	-	Ø 45
B6.0/40 - U55	-	Ø 55

② **Material**

S	-	Silicon
WS	-	White Silicon
N	-	NBR
PU	-	Polyurethane

③ **Suction Stopper**

B	-	Plastic bag and flexible object
C	-	Mark free by pad
D*	-	Thin and flat object

*also use at connecting part

④ **Material**

No Mark	-	Standard
M	-	Mesh Filter

⑤ **Thread Size**

38M	-	G3/8" male
14M	-	G1/4" male
14F	-	G1/4" female
18M	-	G1/8" male
18F	-	G1/8" female

⑥ **Valve**

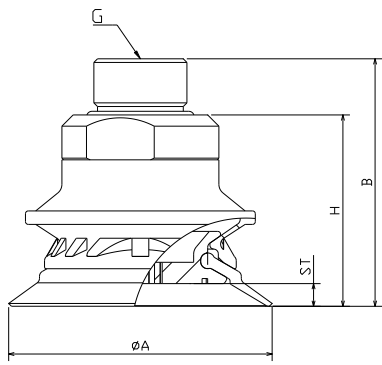
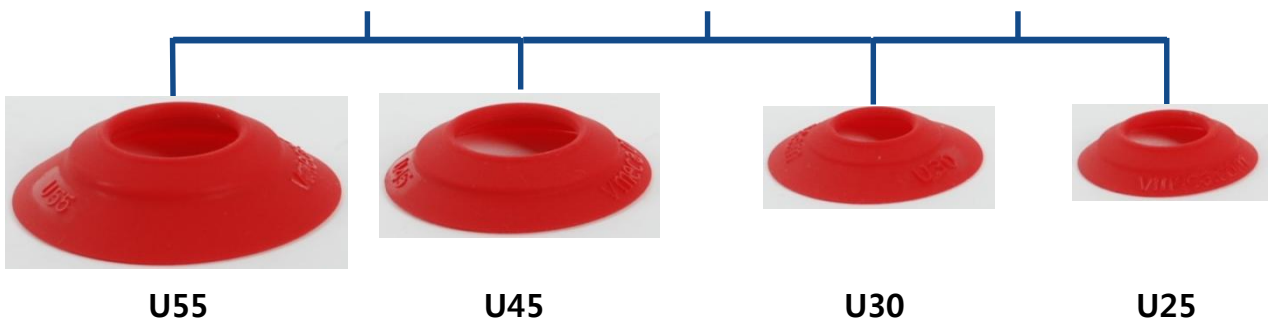
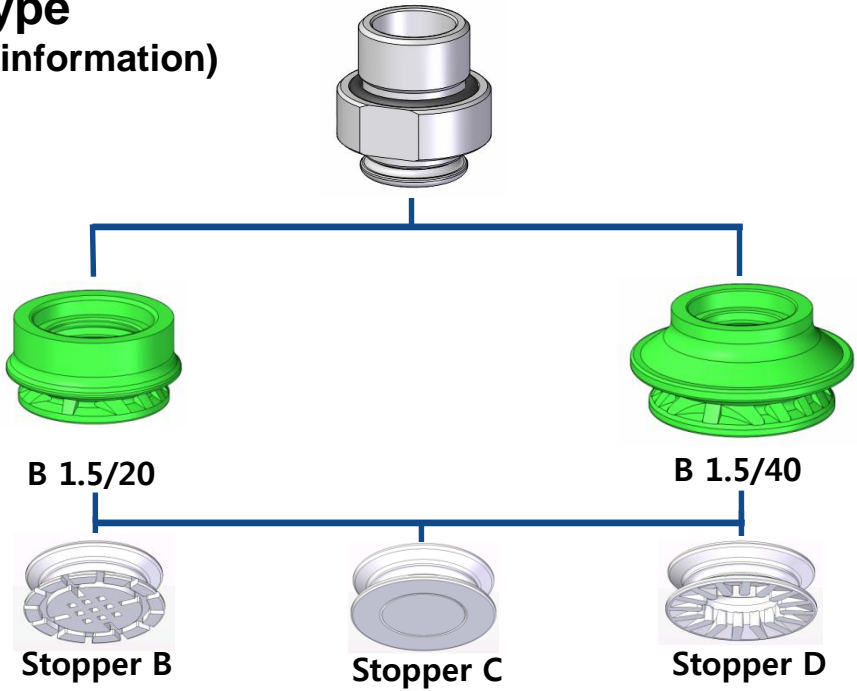
No Mark	-	Standard
EV	-	Vacuum Efficiency Valve

* Bellows cartridge – GPU (Green Polyurethane)

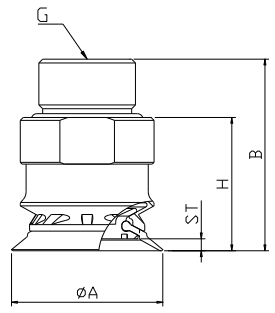
Recommended (max.) lifting force

Model	Volume (cm ³)	Perpendicular Lifting Force (kg)		
		-20kPa	-60kPa	-90kPa
B6.0/20 - U25	6.55	0.83	2.20	3.06
B6.0/20 - U30	7.34	1.22	2.45	3.06
B6.0/40 - U45	38.47	2.55	5.66	9.18
B6.0/40 - U55	43.16	3.78	7.09	9.56

B 1.5 – U type (Dimensional information)



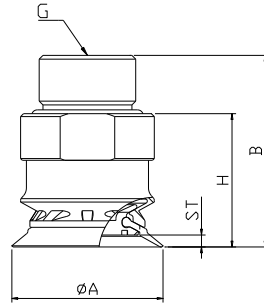
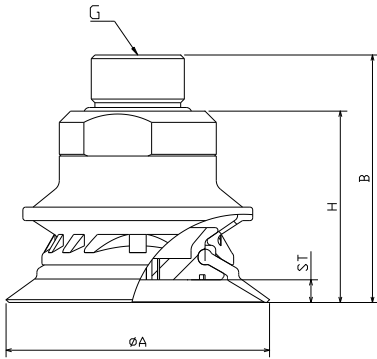
[B 1.5/40 - U□]



[B 1.5/20 - U□]

Fitting		
14F	-	G1/4" female
14M	-	G1/4" male
38M	-	G3/8" male
18F	-	G1/8" female
18M	-	G1/8" male

B 1.5 / 5.0 – U type (Dimensional information)



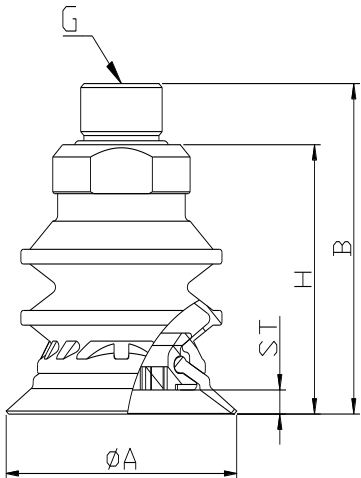
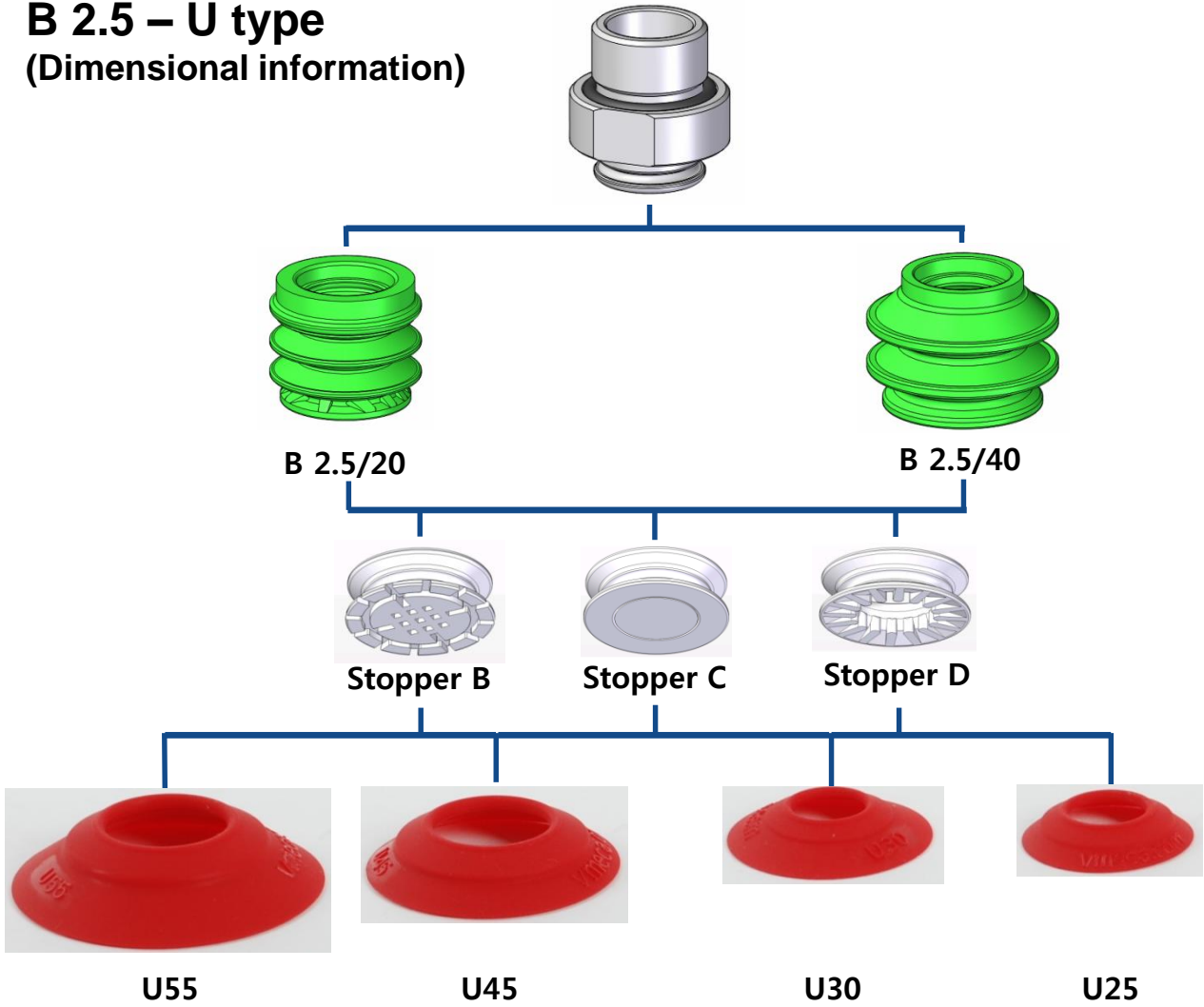
Fitting		
14F	-	G1/4" female
14M	-	G1/4" male
38M	-	G3/8" male
18F	-	G1/8" female
18M	-	G1/8" male

[B 1.5/40 - U□]

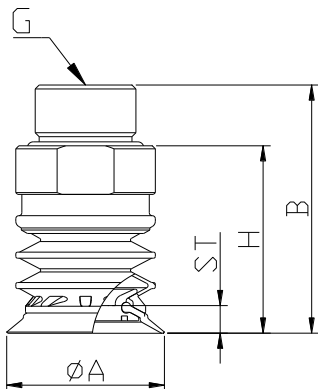
[B 1.5/20 - U□]

Model	ØA	G	ST	H	B
B 1.5/20 – U25	26	female : 1/4", 1/8" male : 1/4", 1/8", 3/8"	2.05	22.87	32.87
B 1.5/20 – U30	33		3	23.81	33.81
B 5.0/20 – U25	26		2.05	38.56	48.56
B 5.0/20 – U30	33		3	39.5	49.5
B 1.5/40 – U45	47		4.04	34.09	44.09
B 1.5/40 – U55	55		6.85	36.9	46.9
B 5.0/40 – U45	47		4.04	66.39	76.39
B 5.0/40 – U55	55		6.85	69.2	79.2

B 2.5 – U type
(Dimensional information)



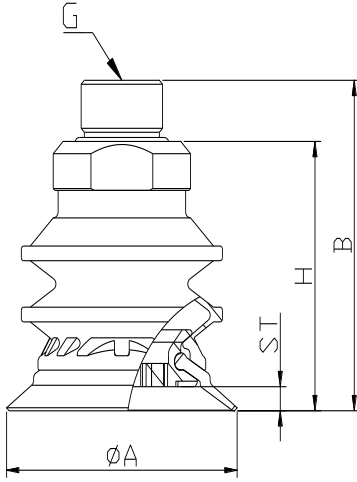
[B 2.5/40 - U□]



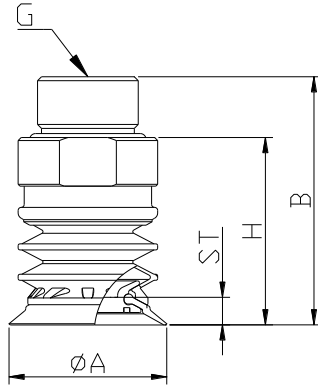
[B 2.5/20 - U□]

Fitting		
14F	-	G1/4" female
14M	-	G1/4" male
38M	-	G3/8" male
18F	-	G1/8" female
18M	-	G1/8" male

B 2.5 / 6.0 – U type (Dimensional information)



[B 2.5/40 - U□]



[B 2.5/20 - U□]

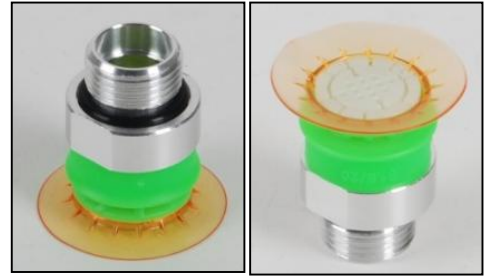
Fitting		
14F	-	G1/4" female
14M	-	G1/4" male
38M	-	G3/8" male
18F	-	G1/8" female
18M	-	G1/8" male

Model	ØA	G	ST	H	B
B 2.5/20 – U25	26	female : 1/4", 1/8" male : 1/4", 1/8", 3/8"	2.05	30.85	40.85
B 2.5/20 – U30	33		3.05	31.85	41.85
B 6.0/20 – U25	26		2.05	46.5	56.5
B 6.0/20 – U30	33		3.05	47.5	57.5
B 2.5/40 – U45	47		3.94	44.05	54.05
B 2.5/40 – U55	55		6.74	46.85	56.85
B 6.0/40 – U45	47		3.94	76.05	86.05
B 6.0/40 – U55	55		6.74	78.85	88.85

B 1.5 - F type

Feature

- Suitable with flat box, plastic
- Good to handle a flexible panels

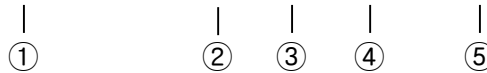


Application

- Thin box · Thin metal plate · Flexible panels
- Thin plastic object

Order No.

B 1.5/20 - F25 - S - B - M - 38M



①

B 1.5 - F Type Model		
B1.5/20 – F25	-	Ø 25
B1.5/20 – F30	-	Ø 30
B1.5/40 – F45	-	Ø 45
B1.5/40 – F55	-	Ø 55

②

Material	
N	- NBR
PU	- Polyurethane
Bellows cartridge – GPU (Poly Urethane)	

③

Suction Stopper (for thin box and flat)		
B	-	★★★

④

Material		
No Mark	-	Standard
M	-	Mesh Filter

⑤

Thread Size	
38M	- G3/8" male
14M	- G1/4" male
14F	- G1/4" female
18M	- G1/8" male
18F	- G1/8" female

Recommended (max.) lifting force

Model	Volume (cm ³)	Perpendicular Lifting Force (kg)		
		-20kPa	-60kPa	-90kPa
B 1.5/20 – F25	2.42	1.4	2.9	3.7
B 1.5/20 – F30	2.6	1.9	3.8	4.3
B 1.5/40 – F45	13.11	3.4	8	9.3
B 1.5/40 – F55	13.84	4.4	9.9	11.9

B 2.5 - F type

Feature

- Suitable with flat box, plastic
- Good to handle a flexible panels

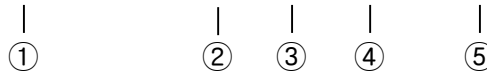


Application

- Thin box · Thin metal plate · Flexible panels
- Thin plastic object

Order No.

B 2.5/20 - F25 - S - B - M - 38M



①

B 2.5 - F Type Model		
B2.5/20 - F25	-	Ø 25
B2.5/20 - F30	-	Ø 30
B2.5/40 - F45	-	Ø 45
B2.5/40 - F55	-	Ø 55

②

Material	
N	NBR
PU	Polyurethane
Bellows cartridge – GPU (Poly Urethane)	

③

Suction Stopper (for thin box and flat)		
B	-	★★★

④

Material		
No Mark	-	Standard
M	-	Mesh Filter

⑤

Thread Size	
38M	G3/8" male
14M	G1/4" male
14F	G1/4" female
18M	G1/8" male
18F	G1/8" female

Recommended (max.) lifting force

Model	Volume (cm ³)	Perpendicular Lifting Force (kg)		
		-20kPa	-60kPa	-90kPa
B 2.5/20 - F25	2.42	1.4	2.9	3.7
B 2.5/20 - F30	2.6	1.9	3.8	4.3
B 2.5/40 - F45	13.11	3.4	8	9.3
B 2.5/40 - F55	13.84	4.4	9.9	11.9

B 5.0 - F type

Feature

- Suitable with flat box, plastic
- Good to handle a flexible panels

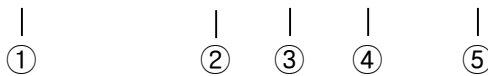


Application

- Thin box · Thin metal plate · Flexible panels
- Thin plastic object

Order No.

B 5.0/20 - F25 - S - B - M - 38M



①

B 5.0 - F Type Model		
B5.0/20 – F25	-	Ø 25
B5.0/20 – F30	-	Ø 30
B5.0/40 – F45	-	Ø 45
B5.0/40 – F55	-	Ø 55

②

Material	
N	NBR
PU	Polyurethane
Bellows cartridge – GPU (Poly Urethane)	

③

Suction Stopper (for thin box and flat)		
B	-	★★★

④

Material		
No Mark	-	Standard
M	-	Mesh Filter

⑤

Thread Size	
38M	G3/8" male
14M	G1/4" male
14F	G1/4" female
18M	G1/8" male
18F	G1/8" female

Recommended (max.) lifting force

Model	Volume (cm ³)	Perpendicular Lifting Force (kg)		
		-20kPa	-60kPa	-90kPa
B 5.0/20 – F25	2.42	1.4	2.9	3.7
B 5.0/20 – F30	2.6	1.9	3.8	4.3
B 5.0/40 – F45	13.11	3.4	8	9.3
B 5.0/40 – F55	13.84	4.4	9.9	11.9

B 6.0 - F type

Feature

- Suitable with flat box, plastic
- Good to handle a flexible panels

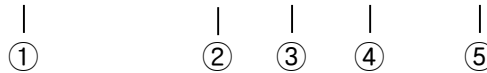
Application

- Thin box · Thin metal plate · Flexible panels
- Thin plastic object



Order No.

B 6.0/20 - F25 - S - B - M - 38M



①

B 1.5 - F Type Model		
B6.0/20 – F25	-	Ø 25
B6.0/20 – F30	-	Ø 30
B6.0/40 – F45	-	Ø 45
B6.0/40 – F55	-	Ø 55

②

Material	
N	NBR
PU	Polyurethane
Bellows cartridge – GPU (Poly Urethane)	

③

Suction Stopper (for thin box and flat)		
B	-	★★★

④

Material		
No Mark	-	Standard
M	-	Mesh Filter

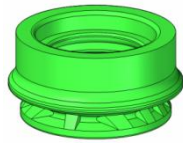
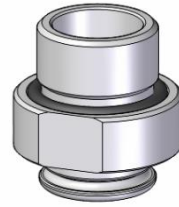
⑤

Thread Size	
38M	G3/8" male
14M	G1/4" male
14F	G1/4" female
18M	G1/8" male
18F	G1/8" female

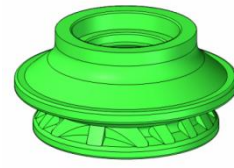
Recommended (max.) lifting force

Model	Volume (cm ³)	Perpendicular Lifting Force (kg)		
		-20kPa	-60kPa	-90kPa
B 1.5/20 – F25	2.42	1.4	2.9	3.7
B 1.5/20 – F30	2.6	1.9	3.8	4.3
B 1.5/40 – F45	13.11	3.4	8	9.3
B 1.5/40 – F55	13.84	4.4	9.9	11.9

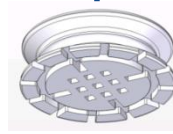
B 1.5 – F type
(Dimensional information)



B 1.5/20



B 1.5/40



Stopper B



F55



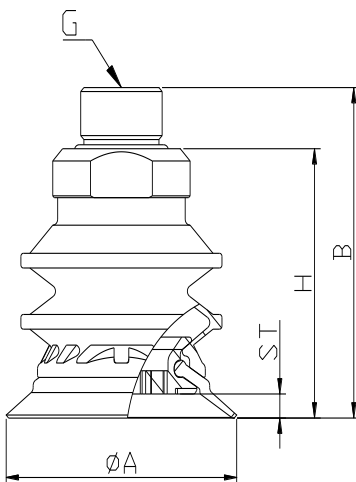
F45



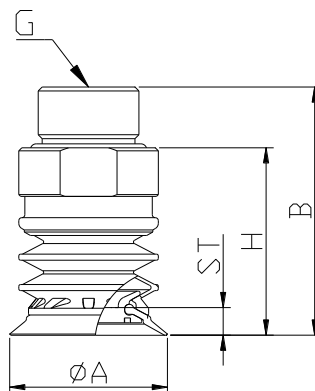
F30



F25



[B 1.5/40 - F□]

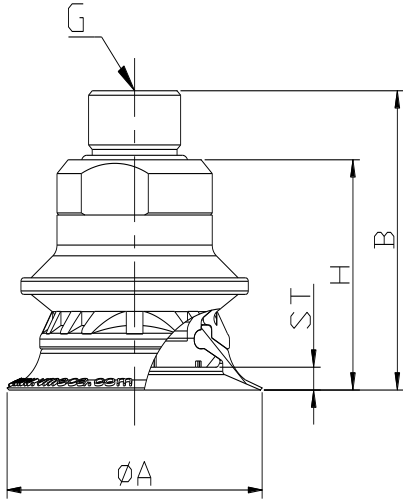


[B 1.5/20 - F□]

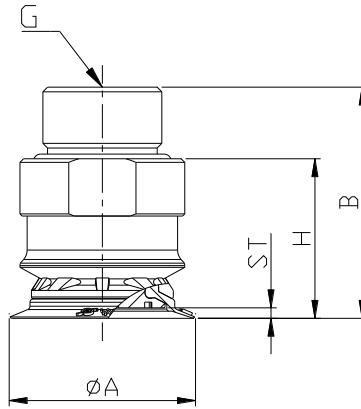
Fitting

14F	-	G1/4" female
14M	-	G1/4" male
38M	-	G3/8" male
18F	-	G1/8" female
18M	-	G1/8" male

B 1.5 / 5.0 – F type (Dimensional information)



[B 1.5/40 - F□]

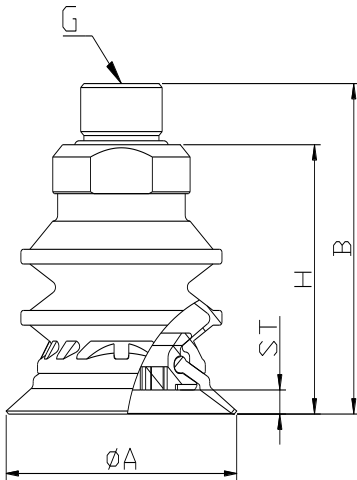
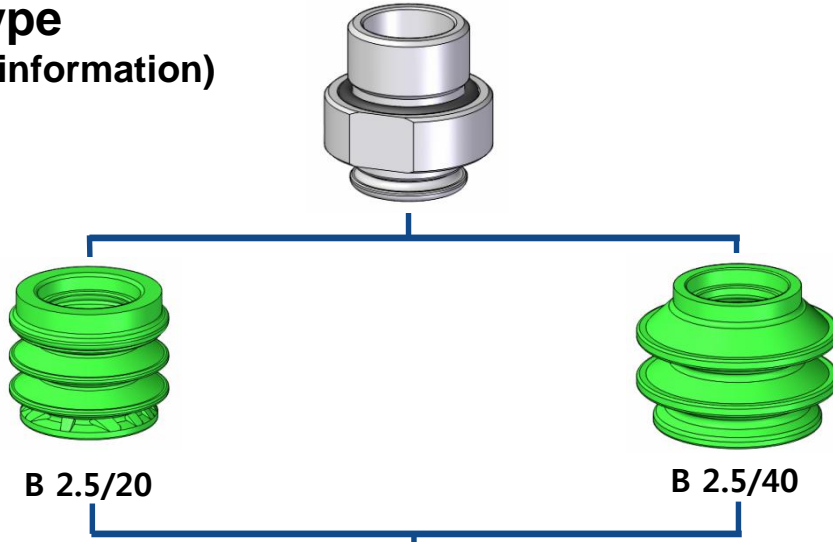


[B 1.5/20 - F□]

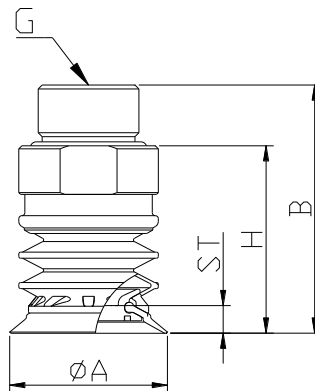
Fitting		
14F	-	G1/4" female
14M	-	G1/4" male
38M	-	G3/8" male
18F	-	G1/8" female
18M	-	G1/8" male

Model	ØA	G	ST	H	B
B 1.5/20 – F25		female : 1/4", 1/8" male : 1/4", 1/8", 3/8"	1.5	22.28	32.28
B 1.5/20 – F30			2.2	23	33
B 5.0/20 – F25			1.5	37.98	47.98
B 5.0/20 – F30			2.2	38.72	48.72
B 1.5/40 – F45			3.31	33.36	43.36
B 1.5/40 – F55			3.34	33.39	43.39
B 5.0/40 – F45			3.31	65.35	75.35
B 5.0/40 – F55			3.34	65.38	75.38

B 2.5 – F type
(Dimensional information)



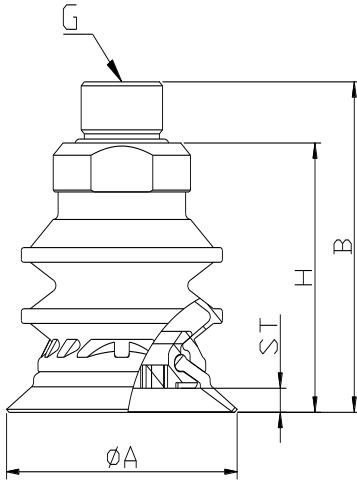
[B 2.5/40 - F□]



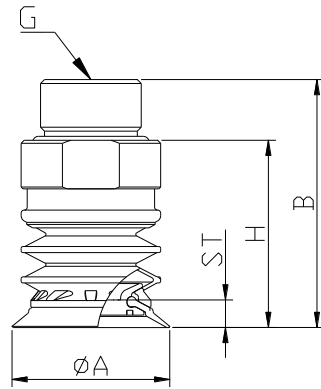
[B 2.5/20 - F□]

Fitting		
14F	-	G1/4" female
14M	-	G1/4" male
38M	-	G3/8" male
18F	-	G1/8" female
18M	-	G1/8" male

B 2.5 / 6.0 – F type (Dimensional information)



[B 2.5/40 - F□]



[B 2.5/20 - F□]

Fitting		
14F	-	G1/4" female
14M	-	G1/4" male
38M	-	G3/8" male
18F	-	G1/8" female
18M	-	G1/8" male

Model	ØA	G	ST	H	B
B 2.5/20 – F25		female : 1/4", 1/8" male : 1/4", 1/8", 3/8"	1.47	46	56
B 2.5/20 – F30			2.2	46.73	56.73
B 6.0/20 – F25			3.31	43.36	53.36
B 6.0/20 – F30			3.34	43.39	53.39
B 2.5/40 – F45			3.31	75.29	85.29
B 2.5/40 – F55			3.34	75.32	85.32
B 6.0/40 – F45			1.47	46	56
B 6.0/40 – F55			2.2	46.73	56.73

MB 3.5 Series (Middle Bellows Cartridge)

Feature

- Used for B1.5 / B2.5 Bellows Cartridge Connection
(Stopper 'D' applied)



Order No.

B 3.5/40



B 3.5 Model Type		
MB3.5/20	-	Ø 25,30
• MB3.5/40	-	Ø 45,55

※ The default option
Bellows cartridge – GPU (Poly Urethane)

Available Suction lips



X55



X45



X30



X25



U55



U45



U30



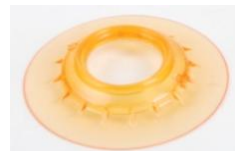
U25



F55



F45



F30

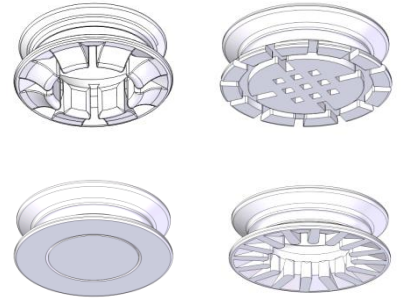


F25

Pad Stopper Series

Feature

- Select an optimized Pad Stopper for different size and type of handling object.



Order No.

MS20 - A



①

PAD SUCTION STOPPER SIZE		
MS20	-	for Ø 25,30
MS40	-	for Ø 45,55

②

PAD SUCTION STOPPER TYPE	
A	- Thin plastic bag (object) handling
B	- Plastic bag and flexible object Non suction mark
C	- Mark free by pad
D	- Thin and flat object Use for bellow connecting part

※ Can be used for both B1.5 / B2.5/ B5.0/ B6.0

For MS40 suction stopper		For MS20 suction stopper	
X55	X45	X30	X25
U55	U45	U30	U25
F55	F45	F30	F25