

# Maxiflow Filter

## Full Flow Filters

Max 360 l/min - 7-10 bar



*Global Filtration Technology*

# Full Flow Filters for Suction or Return

## Maxiflow Filter

### TYPICAL APPLICATIONS

- Fork Lift Trucks
- Telescopic Handlers
- Refuse Vehicles
- Road Sweepers
- Compactors
- Industrial Power Units
- Grass Cutters
- Press Brakes

### The Parker Filtration Maxiflow Full Flow Filters for Suction or Return.

Size 1 and 2 Maxiflow filters feature two integral red/green indicators incorporated into the head casting design. Fitted as standard, they ensure maximum indicator visibility and early warning of filter condition.

Size 3 Maxiflow features one integral indicator.



### TYPICAL APPLICATIONS



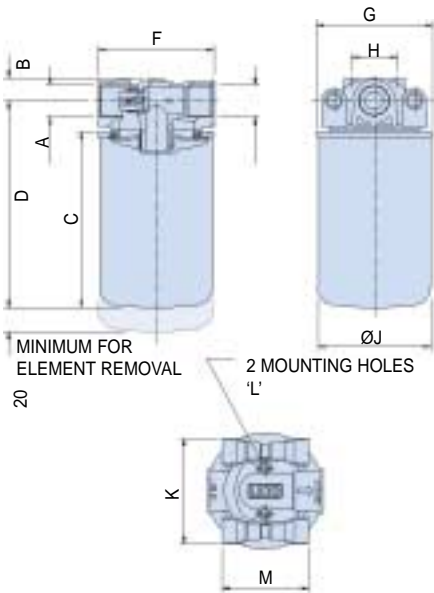
## SPECIFICATION

<b>Maximum Working Pressure:</b>	<b>MXA</b> 7 bar
<b>Seal Material:</b>	Nitrile
<b>Operating Temperature Range:</b>	-30°C to +90°C
<b>Filter Head Material:</b>	Aluminium LM24
<b>Filter Bowl Material:</b>	Steel
<b>Fluids:</b>	Mineral Oils
<b>Bypass:</b>	Return Line 1.05 bar Suction Line 0.17 bar No bypass option
<b>Element Media:</b>	3 Micron Absolute Beta 75 10 Micron Absolute Beta 75 10 Micron Nominal (Impregnated Cellulose)

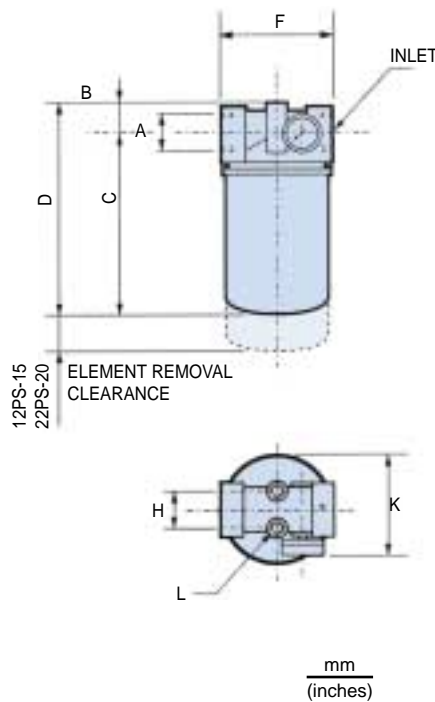
<b>PS Series</b>
10 bar
Buna (Nitrile)
-30°C to +110°C
Aluminium Alloy
Steel
Mineral Oils
Return Line 1.5 bar
Suction Line 0.10 bar
No bypass option
10 Micron Absolute Beta 75

## INSTALLATION DETAILS

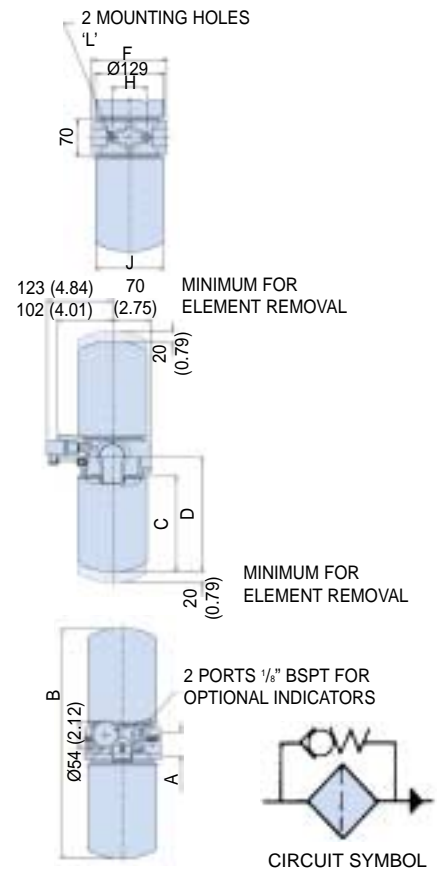
**Size 1 MXA.8\*\*\*  
12PS**



**Size 2 MXA.9\*\*\*  
22PS**



**Size 3 MXA.7\*\*\***



### FILTER SELECTION

To select the correct filter use the appropriate pressure drop graphs. For details and an example of how to select the correct filter, see next page.

Type	A	B	C	D	F	G	H	J	K	L	M
<b>MXA.8</b>	G <sup>3/4</sup>	19 (0.75)	147 (5.79)	173 (6.81)	95 (3.74)	97 (3.82)	38 (1.49)	94 (3.7)	88 (3.46)	M8 x 1.25 x 16 full depth	72 (2.83)
<b>12PS</b>		22 (0.86)	165 (6.49)	187 (7.36)	95 (3.74)	N/A	38 (1.49)	93 (3.66)	107 (4.21)		N/A
<b>MXA.9</b>	G1 <sup>1/4</sup>	30 (1.18)	179 (7.04)	213 (8.38)	133 (5.24)	129 (5.08)	50 (1.97)	127 (5.0)	130 (5.12)		72 (2.83)
<b>22PS</b>		28 (1.10)	208 (8.19)	236 (9.29)	133 (5.23)	N/A	50 (1.97)	130 (5.12)	N/A	N/A	
<b>MXA.7</b>	G1 <sup>1/2</sup>	430 (16.93)	179 (7.05)	214 (8.42)	140 (5.51)	N/A	65 (2.56)	127 (5.0)	N/A	M10 x 1.5	N/A

# Full Flow Filters for Suction or Return

## Maxiflow Filter

### PRESSURE DROP CURVES

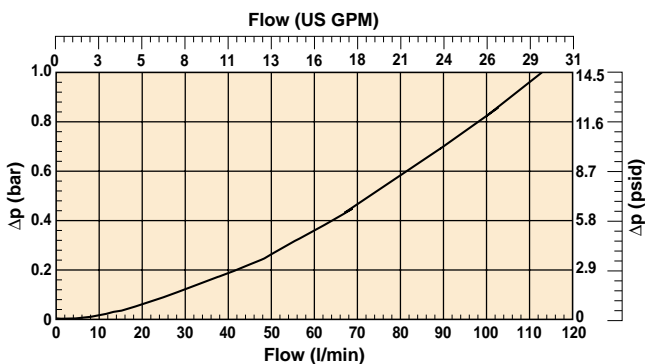
The recommended level of the initial pressure drop for low pressure filters is max 0.5 bar.

If the medium used has a viscosity different from 30 cSt, pressure drop over the filter can be estimated as follows :-

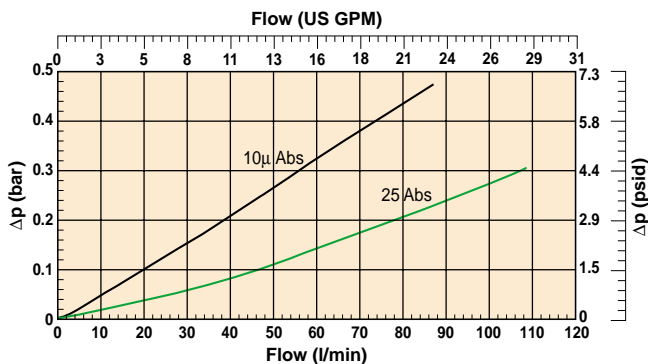
$$\Delta p = (\Delta p_{30} \times \text{viscosity of medium used}) / 30 \text{ cSt}$$

#### Size 1 Maxiflow (MXA.8\*\*\* Series) and 12PS Series

Filter Housing

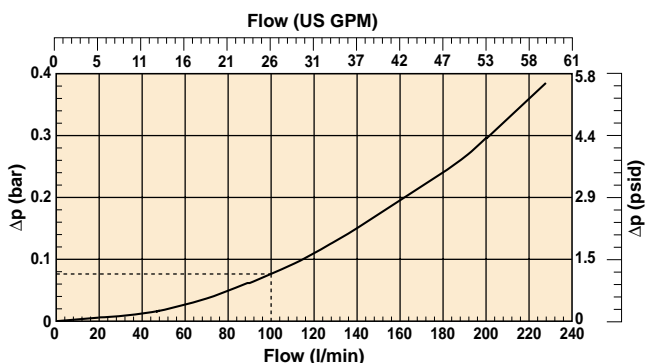


Filter Element

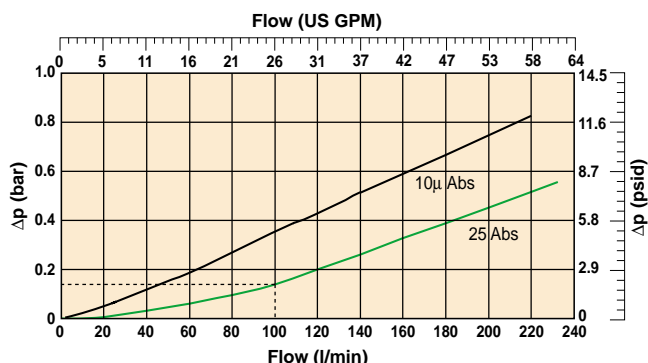


#### Size 2 Maxiflow (MXA.9\*\*\* Series) and 22PS Series

Filter Housing

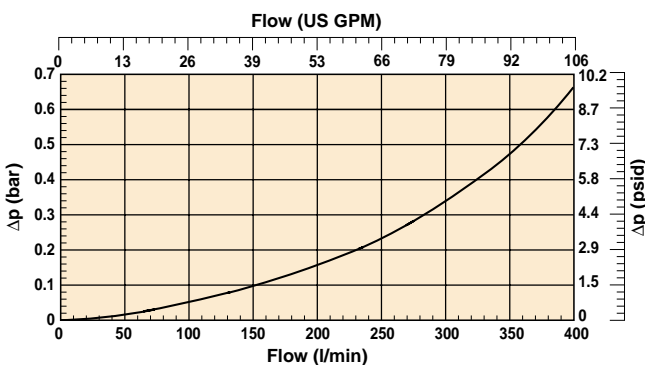


Filter Element

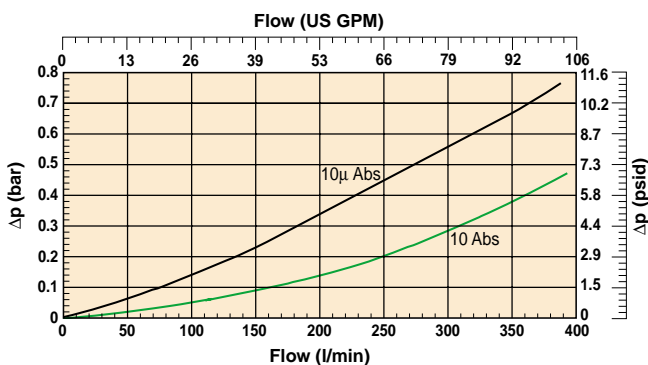


#### Size 3 Maxiflow (MXA.7\*\*\* Series)

Filter Housing



Filter Element



Note: All above data is calculated at 30cSt Rel density 0.856.

## PREFERRED PRODUCTS TABLE

Type	Part Number	Description	MAOP (bar)	Flow (l/min)	Media Rating	Ports	Replacement Element
------	-------------	-------------	------------	--------------	--------------	-------	---------------------

### MXA.8\*\*\* & 12PS Return Line Filters

MXA	MXA.8551.424	Assembly with Bypass & Dual Visual Indicators	7	65	10 Absolute	G <sup>3/4</sup>	MXR.8550	
PS	12PS-10BT-V1-R-2-B	Assembly with Bypass & Gauge Type Visual Indicator	10				926501	
MXA	MXA.8511.424	Assembly with Bypass & Dual Visual Indicators	7	70	25 Abs	G <sup>3/4</sup>	MX.1518.4.10 x 4*	
PS	12PS-10CT-V1-R-2-B	Assembly with Bypass & Gauge Type Visual Indicator	10				10 Nominal	921166
	12PS-10CT-E2-R-2-B	Assembly with Bypass & Electrical Pressure Indicator						
	12PS-10CT-P-R-2-B	Assembly with Bypass & No Indicator						

### MXA.8\*\*\* & 12PS Suction Line Filters

MXA	MXA.8551.223	Assembly with Bypass & Dual Visual Indicators	7	20	25 Abs	G <sup>3/4</sup>	MX.1518.4.10 x 4*	
PS	12PS-10CT-V1-S-4-B	Assembly with Bypass & Gauge Type Visual Indicator	10				10 Nom	921166
MXA	MXA.8551.023	Assembly without Bypass, with Dual Visual Indicators	7					25 Abs
PS	12PS-10CT-V1-SX-4-B	Assembly without Bypass, with Gauge Type Visual Indicator	10				10 Nom	

### MXA.9\*\*\* & 22PS Return Line Filters

MXA	MXA.9561.424	Assembly with Bypass & Dual Visual Indicators	7	30	3 Absolute	G1 <sup>1/4</sup>	MXR.9560
-----	--------------	-----------------------------------------------	---	----	------------	-------------------	----------

#### 3 Micron Absolute Filtration for Off-Line System Clean Up

The maxiflow 3 micron absolute elements are ideal for off-line clean up applications. These can be specified for the 9\*\*\* and 7\*\*\* series return filters.

MXA	MXA.9551.424	Assembly with Bypass & Dual Visual Indicators	7	160	10 Absolute	G1 <sup>1/4</sup>	MXR.9550		
PS	22PS-10BT-V1-R-2-D	Assembly with Bypass & Gauge Type Visual Indicator	10				180	926503	
PS	22PS-10BT-E2-R-2-D	Assembly with Bypass & Electrical Pressure Indicator							
MXA	MXA.9511.424	Assembly with Bypass & Dual Visual Indicators	7	160	25 Abs	G1 <sup>1/4</sup>	MX.1591.4.10 x 4*		
PS	22PS-10CT-V1-R-2-D	Assembly with Bypass & Gauge Type Visual Indicator	10				180	10 Nominal	926502
PS	22PS-10CT-E2-R-2-D	Assembly with Bypass & Electrical Pressure Indicator							
PS	22PS-10CT-P-R-2-D	Assembly with Bypass & No Indicator							

### MXA.9\*\*\* & 22PS Suction Line Filters

MXA	MXA.9511.223	Assembly with Bypass & Dual Visual Indicators	7	20	25 Abs	G1 <sup>1/4</sup>	MX.1591.4.10 x 4*
PS	22PS-10CT-V2-S-4-D	Assembly with Bypass & Gauge Type Visual Indicator	10				10 Nom
MXA	MXA.9511.023	Assembly without Bypass, with Dual Visual Indicators	7	48	25 Abs		
PS	22PS-10CT-P-SX-4-D	Assembly without Bypass, with Gauge Type Visual Indicator	10				10 Nom

### MXA.7\*\*\*

MXA	MXA.7551.424	Assembly with Bypass & Visual Indicators	7	300	10 Absolute	G1 <sup>1/2</sup>	MXR.9550 (2)
MXA	MXA.7511.424	Assembly with Bypass & Visual Indicators	7	350	25 Abs	G1 <sup>1/2</sup>	MX.1591.4.10 x 4*

### MXA.7\*\*\* Suction Line Filters

MXA	MXA.7551.223	Assembly with Bypass & Visual Indicators	7	80	10 Absolute	G1 <sup>1/2</sup>	MXR.9550 (2)
	MXA.7551.023	Assembly without Bypass with Visual Indicators					
MXA	MXA.7511.223	Assembly with Bypass & Visual Indicators	7	80	25 Absolute	G1 <sup>1/2</sup>	MX1591.4.10 x 4* (2)
	MXA.7511.023	Assembly without Bypass with Visual Indicators					

The Maxiflow Series 7\*\*\* filters can be specified with additional visual or electrical indicators. Please contact Parker Filtration for details.

Note: Elements marked with an asterisk (\*) are only available in 4 element packs.