

# MobiLift<sup>®</sup>

**BX & BXB MOBILE LIFT TABLES**



Bishamon MobiLift™ scissor lift tables are rugged industrial lift tables with push-bars and casters. BX Series lift tables provide improved ergonomics by placing the load at a convenient work height while providing the mobility to locate the lift where it is needed.

MobiLift™ tables are available in various capacities and travels to satisfy a wide variety of applications. The manual foot-pump models have an integrated hydraulic pump/cylinder assembly while a 24-volt DC power unit provides the lifting power on electric battery powered models.

The MobiLift™ scissor lift tables add the value of mobility to the hydraulic lift table concept. Exceptional functionality and maneuverability is apparent, whether loaded or empty. In addition, rugged construction and premium-quality hydraulics complement their ease of use with low maintenance.

The MobiLift™ design allows workers to easily move and position loads to a convenient working height. By minimizing undesirable lifting, reaching and stretching, MobiLifts increase productivity and decrease workplace injuries.

MobiLift™ tables are used in a wide variety of applications. From stocking shelves in retail stores to lifting and moving materials in libraries, nurseries, machine shops and manufacturing operations, MobiLifts improve productivity.

## **Bishamon**

Bishamon Industries Corporation

Distributed by Ergonomic Partners, Inc.  
Email: [sales@ergonomicpartners.com](mailto:sales@ergonomicpartners.com)  
Web: [www.ergonomicpartners.com](http://www.ergonomicpartners.com)  
PH: 314-884-8884 | FAX: 800-570-5584

**Warranty** - Bishamon Industries Corp. ("Bishamon") warrants its products to be free from defects in material and workmanship for a period of one (1) year from the date of initial shipment. This warranty shall not apply to any misuse, mishandling, accident, shipping, alteration, or unauthorized repair of any Bishamon product or part. For complete details of warranty, please contact Bishamon at 800-358-8833.

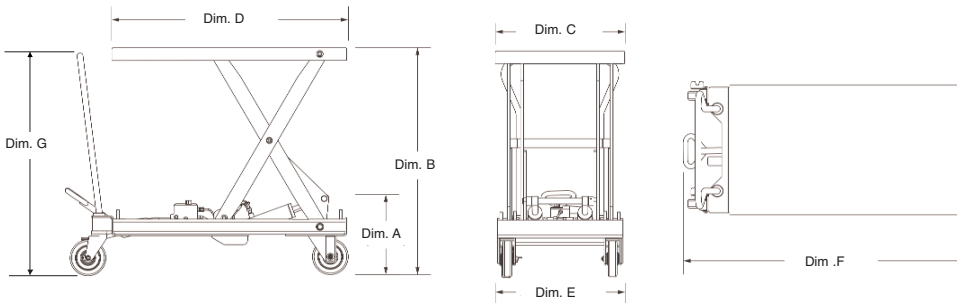


# Mobilift®

## BX & BXB MOBILE LIFT TABLES

Working Harder To  
Make Your Life Easier

### Mobilift BX & BXB (battery / charger not shown)



### Selector Table for BX Series Mobile Lift Tables

Model	Travel (in)	Capacity* (lb)	Platform Height (in)		Platform Size (in)		Overall Size (in)			Strokes Or Lift Speed To Max. Ht.	Shipping Weight (lb)
			Min. (A)	Max. (B)	Width (C)	Length (D)	Width (E)	Length (F)	Height (G)		
BX-15	20.4	330	8.4	28.8	17.7	27.6	17.7	33.6	31.3	15	75
BX-25	22.7	660	11.3	34.1	19.7	32.0	19.7	39.7	35.3	25	200
BX-50	22.1	1100	17.2	39.3	20.4	39.8	20.5	46.9	37.8	50	300
BX-75	22.1	1760	17.2	39.3	20.4	39.8	20.5	49.5	37.8	67	300
<b>Double Scissor Models</b>											
BX-30S	45.1	660	17.0	62.1	20.4	39.8	20.5	49.5	37.8	64	340
BX-50S	23.0	1100	16.5	39.5	18.1	25.6	18.1	37.2	37.0	66	275
BX-50W	45.1	1100	17.0	62.1	20.4	39.8	20.5	49.5	37.8	90	380
<b>Stainless Steel Models</b>											
BXS-10	20.4	220	8.4	28.8	17.7	27.6	17.7	33.6	31.3	15	75
BXS-20	22.7	440	11.3	34.1	19.7	32.0	19.7	39.7	35.3	25	200
<b>Battery Operated Models</b>											
BX-30B	23.5	660	11.5	35.0	19.7	32.1	19.7	41.7	34.6	10 Sec.	280
BX-50B	23.1	1100	17.2	40.4	20.5	39.8	20.4	50.0	37.4	10 Sec.	390
BX-80B	21.1	1760	17.2	38.4	20.5	39.8	20.5	49.4	37.4	12 Sec.	400
<b>Double Scissors Battery Operated Models</b>											
BX-15WB	39.0	330	15.2	54.1	19.7	32.1	19.7	39.7	35.4	10 Sec.	330
BX-30SB	46.3	660	17.5	63.8	20.5	39.8	20.4	50.0	37.4	12 Sec.	450
BX-50WB	46.1	1100	17.1	63.2	20.5	39.8	20.4	50.0	37.4	17 Sec.	490

### Standard Features - All Models

- Heavy-duty construction with captured scissor rollers for maximum stability
- High quality casters and wheels for exceptional rollability
- Foot actuated caster brake
- Heavy duty maintenance scissor lock pin
- Durable powder coated finish

### Standard Features - Manual

- Superior hydraulic systems feature an integrated pump-cylinder for maximum reliability
- Ergonomic push handle with convenient lowering control
- Lowering control automatically stops when released for added safety

### Standard Features - Electric Models

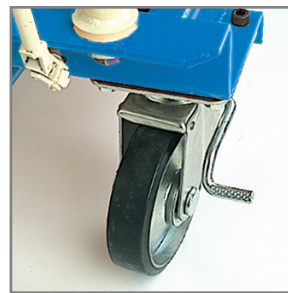
- Removable push-button control on cord with convenient handle mount
- Ergonomic handle with integrated safety mesh
- Easily accessible On/Off switch with integrated circuit breaker
- Enclosed automatic charger with removable power cord
- Green-Yellow-Red indicator lights provide quick indication of battery charge
- Easily accessible, adjustable lowering speed control
- Upper travel limit switch



Convenient Hand-Lever Lowering Control For Model BX



Removable Pendant Push-Button Control in Handle Mount (BxB)



Dual-Action Caster Brake Locks Wheel and Swivel



Bishamon Industries Corporation

Distributed by Ergonomic Partners, Inc.  
Email: sales@ergonomicpartners.com  
Web: www.ergonomicpartners.com  
PH: 314-884-8884 | FAX: 800-570-5584