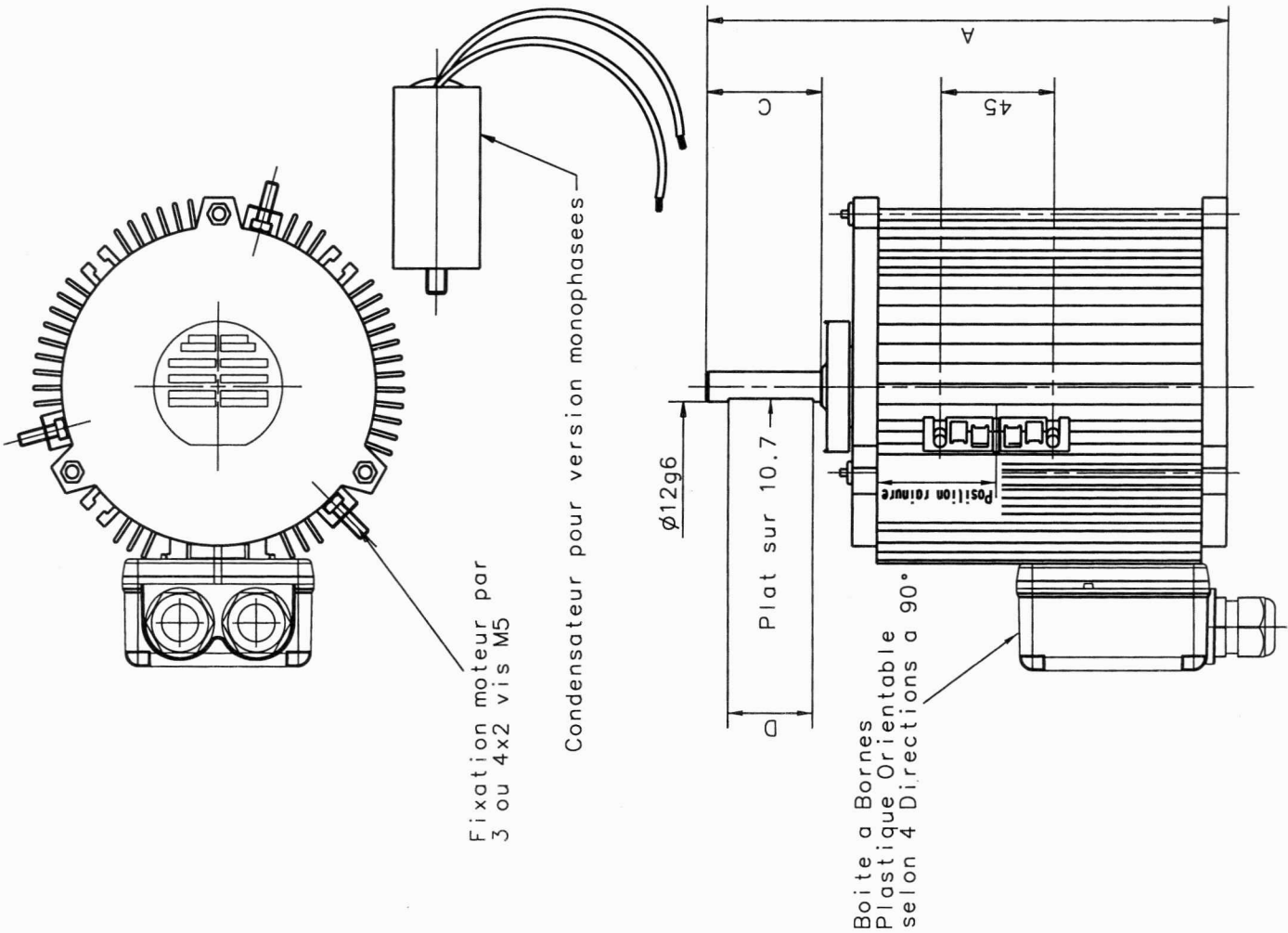


MOTEURS TRIPHASES

MOTEUR TX	A	C	D
TX30P2/4/6/8	169		
TX33P4/6	172		
TX40P2/4/6	179	47	36
TX50P2/4/6/8	189		
TX60P2	199		
TX70P4/6/8	209		
TX90P4/6/8	232	50	39

MOTEURS MONOPHASES

MOTEUR MXC	A	C	D
MXC30P2/6/8	169		
MXC33P4	172		
MXC40P4/6	179	47	36
MXC50P2/4/6/8	189		
MXC60P6	199		
MXC70P4/6/8	209		
MXC90P4	232	50	39



AC	Changement de BAB suite DM007/08.	GRILLON	05/11/08	JPM
AB	Suppression cote B (remplacée par position rainure) suite DMJN n°178/01	CHANEL	05/12/01	
AA	Creation plan	V. CHAULET	09/11/99	
A	Creation plan etude	CHAULET	11/08/99	
IND.		DRAWN	DATE	CHECKED
GENERAL	LIN.: ±2	MATERIAL:		A3
TOLERANCES	ANG.: ±2°	TREATMENT:		SCALE: 1/2
PLAN MOTEURS X 120 (version Boite a Bornes)				
ZIEHL-ABEGG Francaise de Motoventilateurs FMV				
Z.A. - F.M.V. VILLIEU F 01800 PHONE: +33(0)474 460 820 FAX: +33(0)474 611 968 The reproduction, distribution and utilization of this document as well as the communication of its content to others without explicit and written authorization is prohibited. Offenders will be held liable for the payment of damages.				N° 022092AC