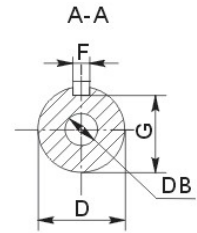
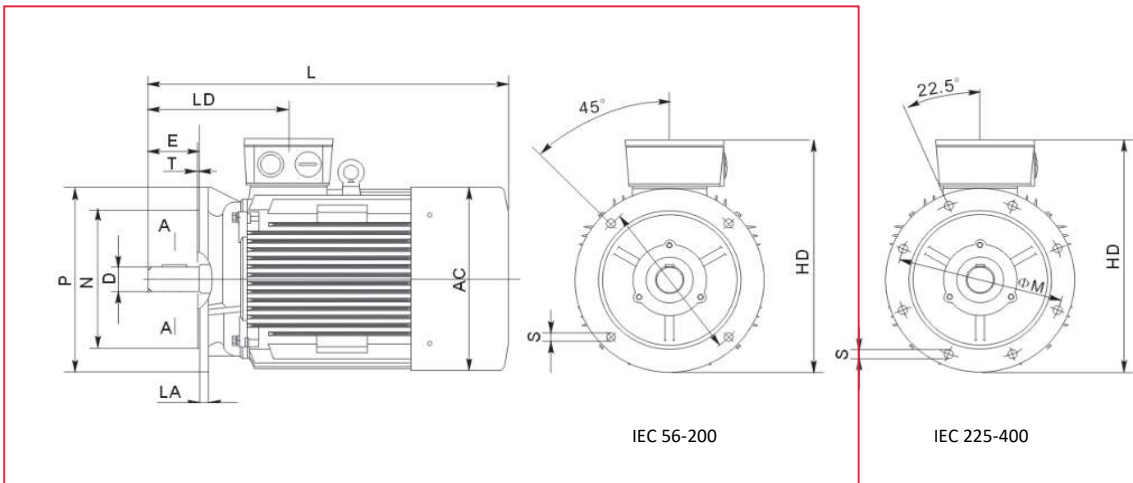


DATA SHEET

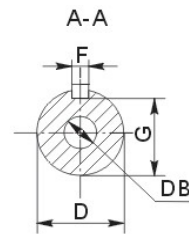
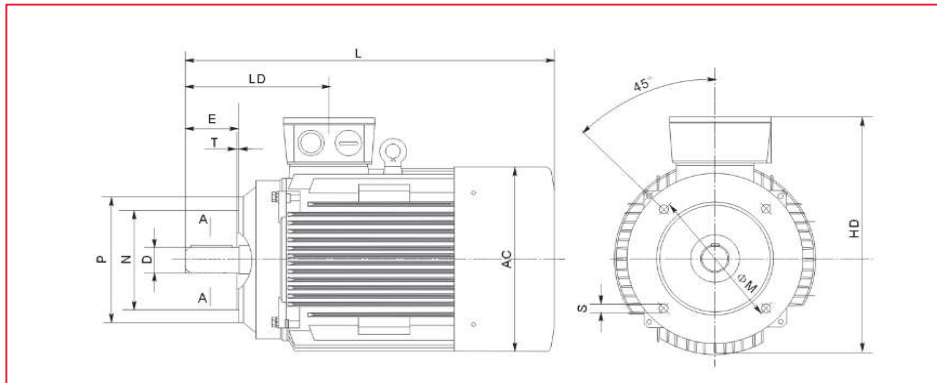
Flange mounted motor 4A 90S-2 B5



M: 165	HD: 230	E: 50
N: 130	L: 312	D: 24
P: 200	L (V1): 362	G: 20
S: 12	LD: 125	DB: M8
		F: 8

DATA SHEET

Flange mounted motor 4A 90S-2 B14A + (B14B)



Flange type:	B14A	B14B		
M:	115	130	HD:	230
N:	95	110	L:	312
P:	140	160	L (V1):	362
S:	M8	M8	LD:	125
			E:	50
			D:	24
			G:	20
			DB:	M8
			F:	8