

Part Number: ERV-GS HNBR 250.ASA 150



[https://ervconfigurator.elaflex.de/ERV-GS HNBR/250MM/L130MM/.ASA 150/STANDARD/.ASA150/STANDARD/STANDARD/STANDARD/STANDARD/Product11.html](https://ervconfigurator.elaflex.de/ERV-GS%20HNBR/250MM/L130MM/.ASA%20150/STANDARD/.ASA150/STANDARD/STANDARD/STANDARD/STANDARD/Product11.html)

**Bellows**

**ERV-GS HNBR 'Yellow Steel HNBR'**

YELLOW STEEL HNBR expansion joints for petroleum based products, DIN EN fuels up to 50% aromatic content, cooling water with oily anticorrosion additives, lubrication and hydraulic oil, seawater.

Very good aging, weathering and ozone resistance.

Temperature range (depending on medium) range -35° C up to +100° C, temporarily up to +120° C.

Fire resistant to ISO 15540 up 30 min. at +800° C. Electrically dissipative.

Liner: HNBR (nitrile), seamless, high abrasion resistant

Marking: Yellow-blue-yellow bands, ERV DN .., PN .., production date

**Size DN**

**DN 250 mm / 10"**

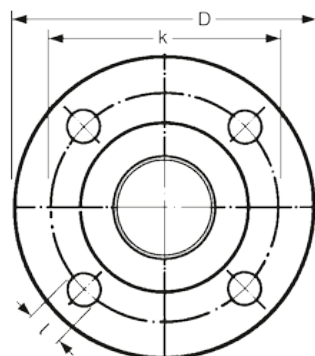
**Length**

**BL 130 mm**

**Flange 1**

**ANSI B 16.5 150 lb/sq. in. (ASA 150)**

Dimension: D: 406,4 mm, 16", k: 361,9 mm, 14 1/4", 12 holes, l: 25,4 mm, 1"



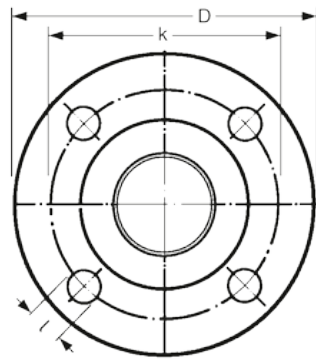
**Material 1**

**Zinc Plated Steel**

**Flange 2**

**ANSI B 16.5 150 lb/sq. in. (ASA 150)**

Dimension: D: 406,4 mm, 16", k: 361,9 mm, 14 1/4", 12 holes, l: 25,4 mm



**Material 2**

**Zinc Plated Steel**

**Limiters**

**Without limiter**

Without limiter (Standard)

**Accessories**

**No further accessories**

Without accessories (Standard)

**Flame Protection**

**Without flame protection**

ERV-GS HNBR is fire resistant to ISO 15540 up to 30 min. at +800° C. Therefore, usually no additional flame protection is necessary.

**Permissible Vacuum [mbar] for Type ERV-GS HNBR**

DN	25	32	40	50	65	80	100	125	150	200	250	300	350	400	450	500	600
no VSD / VSR	max.	max.	max.	max.	max.	-900	-800	-700	-700	-700	-700	-600	-400	-400	-300	-300	-200
with VSD				max.	max.	max.	max.	max.	max.	max.	max.	-800					
with VSR								max.	max.	max.	max.	max.	max.	max.	-900	-800	-700
with VSRV											max.					max.	max.
with TAS				max.	max.	max.	max.	max.	max.	max.	max.	-800					
with TA																	

Data measured at room temperature with new expansion joints in standard length and non swelling media. For swelling media use a safety factor.

A compressed installation improves the in the table listed vacuum resistance. The maximum permissible elongation (L max.) reduces the vacuum resistance by 50%.

For this case we recommend to use vacuum support spirals or vacuum support rings (see catalogue page 468).

Dependencies of overpressure, range of movement and temperature please see table on catalogue page 404.

**Contact:**

ELAFLEX

Schnackenburgallee 121

22525 Hamburg (Eidelstedt)

Telefon: +49 40 540 00 50

Telefax: +49 40 540 00 567

E-Mail: [info@elaflex.de](mailto:info@elaflex.de)

Internet: <http://www.elaflex.de/en/>