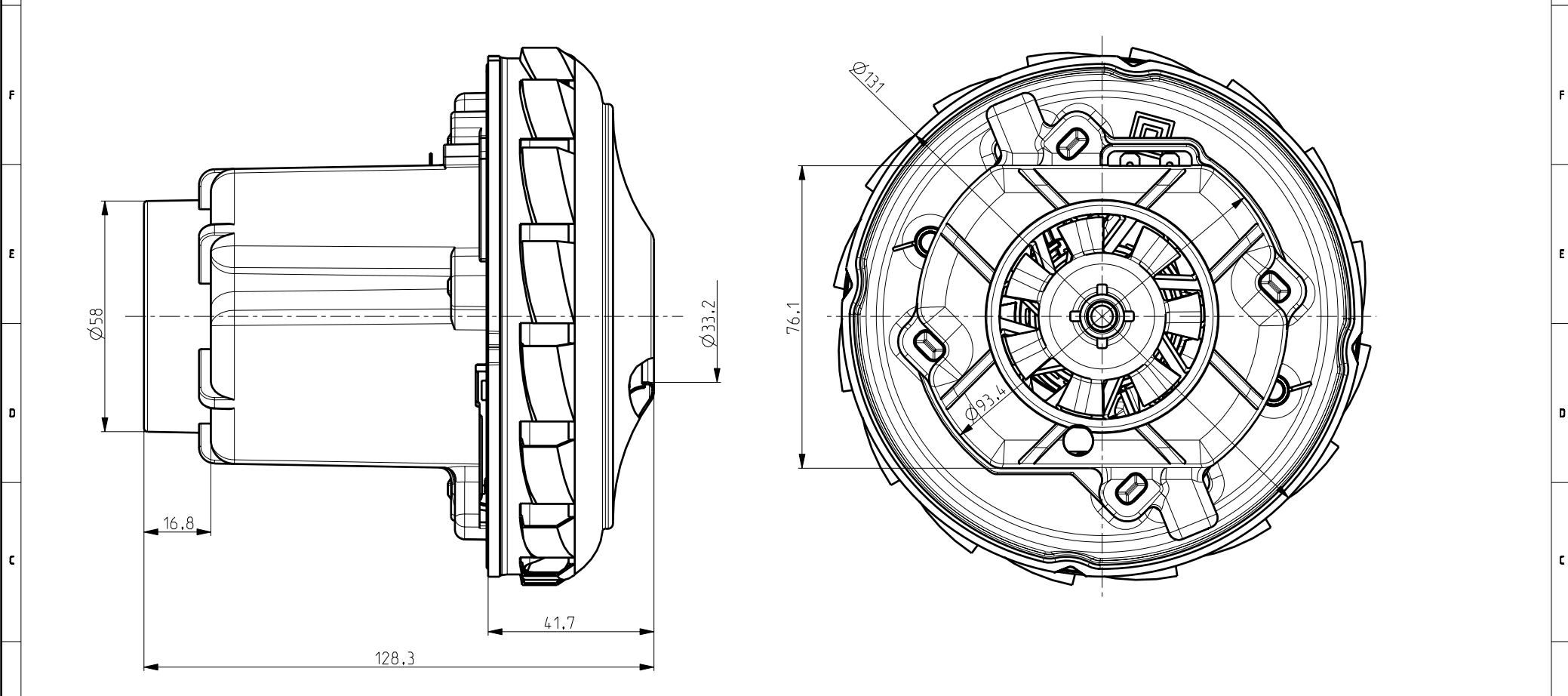


izdelano s CAD/ProEngineer - ročno spreminjanje ni dovoljeno! Vsak prenos tretjim osebam ali uporaba v nedogovorjene namene ni dovoljena po zakonu o avtorskih pravicah.  
 made with CAD/ProEngineer - changing is not allowed! Any unauthorized copying of this drawing or unauthorized distribution of the information contained herein is prohibited.

NAPETOST VOLTAGE		230 V	DVOJNA IZOLACIJA DOUBLE INSULATED						
FREKVENCA FREQUENCY		50 Hz							
NAZIVNA MOČ NOMINAL POWER		1200 W							



Oznake natisnjene na SE:  
 Information stamped on VCM:

DOMEL 467.3.402-5  
 230 V 50 Hz  
 I.C.L.H  
 YYWWD S NNNN  
 MADE IN SLOVENIA

OSNOVNE ZNAČILNOSTI		TYPICAL CHARACTERISTICS	
IZVEDBA	ENOSTOPENJSKA	FAN SYSTEM	SINGLE STAGE
VLEŽAJENJE	DVA KROGLIČNA LEŽAJA	BEARINGS	DUAL BALL
VRSTA PRETOKA	MIMO MOTORJA	DISCHARGE	BY PASS
SMER VRTENJA	DESNA	DIRECTION OF ROTATION	CW

Tolerance odprtih mer Tolerances without individual indications		Površinska hrapavost Surface finishing		Merilo Scale		Original format	
ISO 2768 - m				1:2		ISO 5457 - A3	
Datum/Date		Ime/Name		Gradivo Material			
Izdelal Designed		19.03.2007 Novinc M.		Naziv Title			
Pregl. Verified		10.03.2008 Močnik A.					
<b>DOMEL®</b> Otoki 21, 4228 Zatezniki, Slovenija				Koda Code		List Sheet	
				467.3.402-5		3+	
A0	8499	10.03.08	Novinc M.	Stran Page		1	
				4673402005_SESALNA_ENOTA			