

pressure transmitters for general purpose

Accuracy 0,5% - 0,2% as optional

MPS300 Series



Description

MPS300 series pressure transmitters are suitable for liquids, gas pressure measuring and controlling in the moderate media, with sensor probe working very well with long term stability at the high temperature of 125°C

The measuring ranges, graded in accordance with EN, range from -1 bar to the maximum pressure range of 1000 bar. The case and wetted parts comprise stainless steel and are thus resistant to chemically aggressive media. The pressure connection and measuring element are welded together, making the measuring system particularly resistant to mechanical shock or vibration.

Features

- Compact design
- Protection type IP 65 or IP67 as optional
- Corrosion resistant stainless steel design
- Wide Measuring Range
- Simple Installation
- Various Output Signal

Measuring Ranges

Code	Range	Code	Range	Code	Range
		010	0...1,6 Bar	019	0...100 Bar
		011	0...2,5 Bar	020	0...160 Bar
		012	0...4 Bar	021	0...250 Bar
004	0...100 mBar	013	0...6 Bar	022	0...400 Bar
005	0...160 mBar	014	0...10 Bar	023	0...600 Bar
006	0...250 mBar	015	0...16 Bar	024	0...1000 Bar
007	0...400 mBar	016	0...25 Bar		
008	0...600 mBar	017	0...40 Bar		
009	0...1 Bar	018	0...60 Bar	XXX	Special Ranges

MPS500 Series

Technical Specification

Accuracy

±0.5% FS for MPS300
 ±0.2% FS for MPS301

Overpressure

Full scale ranges up to 16 bar – 2,5x
 Above 16 to 600 bar - 2x
 Above 600 bar – 1,5x

Operating Temperature Range

-40° to +125° C

Compensated Temperature Range

-10° to + 125° C

Electrical

2-wire, 4-20 mA, 10-36 Vdc power
 Option : 0-5 VDC or 0-10 VDC*
 *Supply should be 14 VDC min.

Approval

2004/108/EC , EN 61326-1, 10/2006 ,
 EN 61326-2-3, 05/2007 , 2006/95/EC

Body

Wetted Parts are Stainless Steel AISI 316L
 Body tube is AISI304. Other, on request

Electrical Connection

DIN 43650A or cable connection, others are optional

Protection Degree

IP65, IP67 and IP68 as optional

Process Connection

1/4" NPT or G, (please consult factory for others)

Hysteresis, Repeatability

0,05% of FS

Stability

0,15% of FS/year

Response Time

4 mSec.

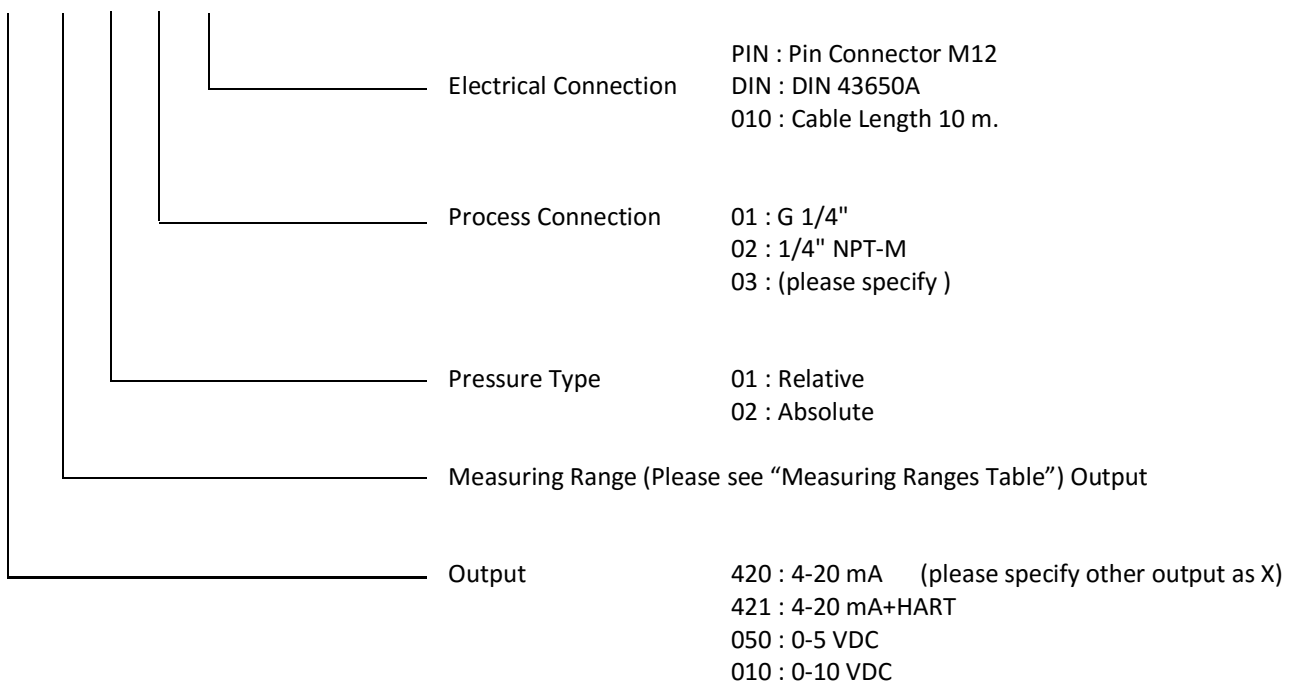
Vibration and shock limits

20g, 20...5000 Hz – 100g, 11 mSec.

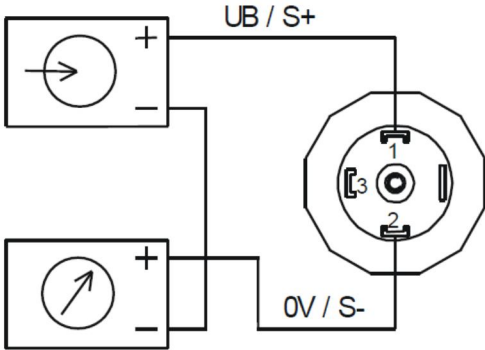
Ordering

MPS300 . XXX . XX . XX . XX . XXX

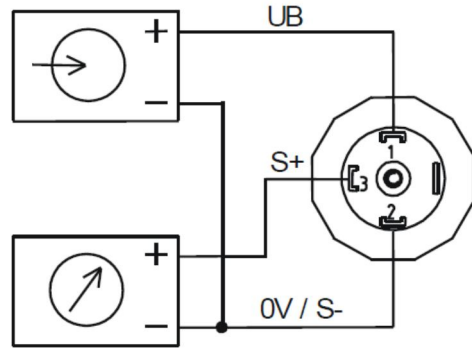
MPS301.



Wiring



4-20 mA, 2 wire



0-10 VDC

Dimensions

