

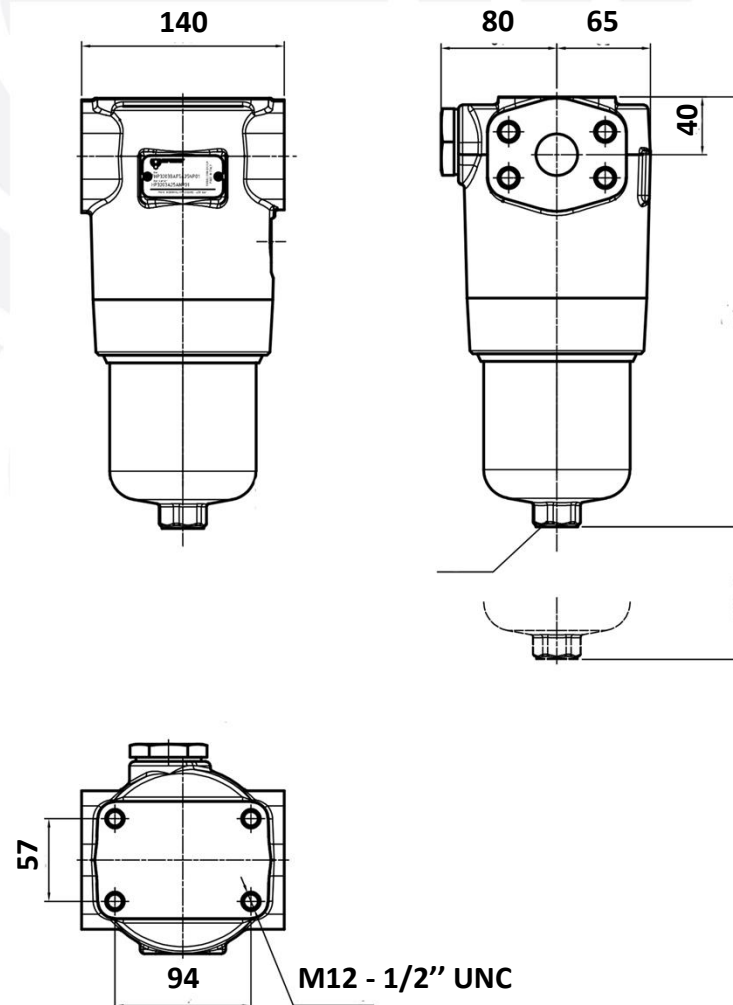
FHP320 / FHP350



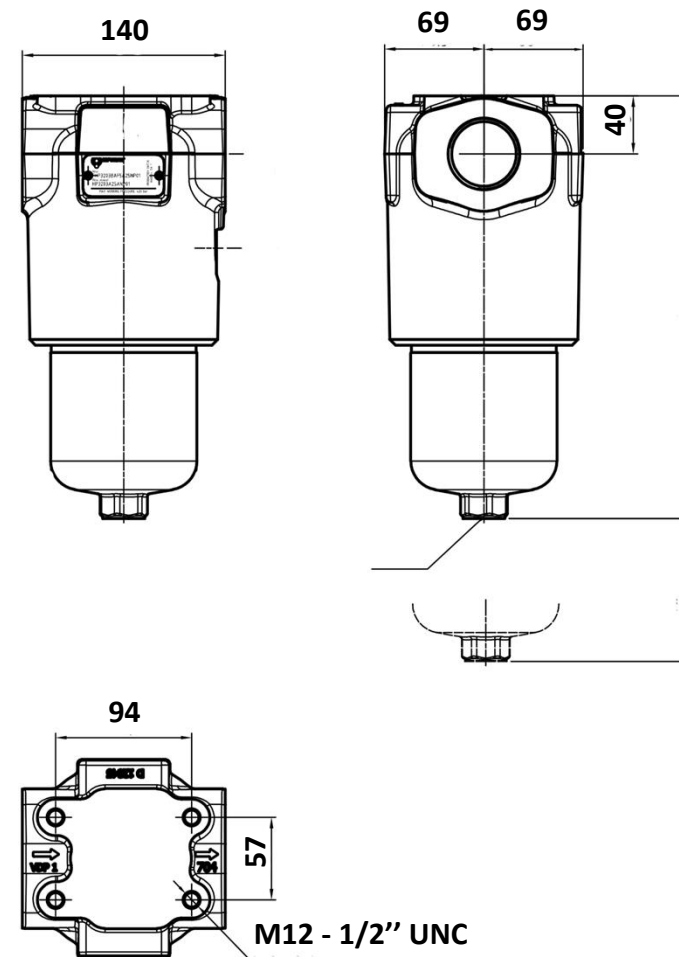
COMPARISON

SAME DIMENSIONS FOR INSTALLATION

FHP320

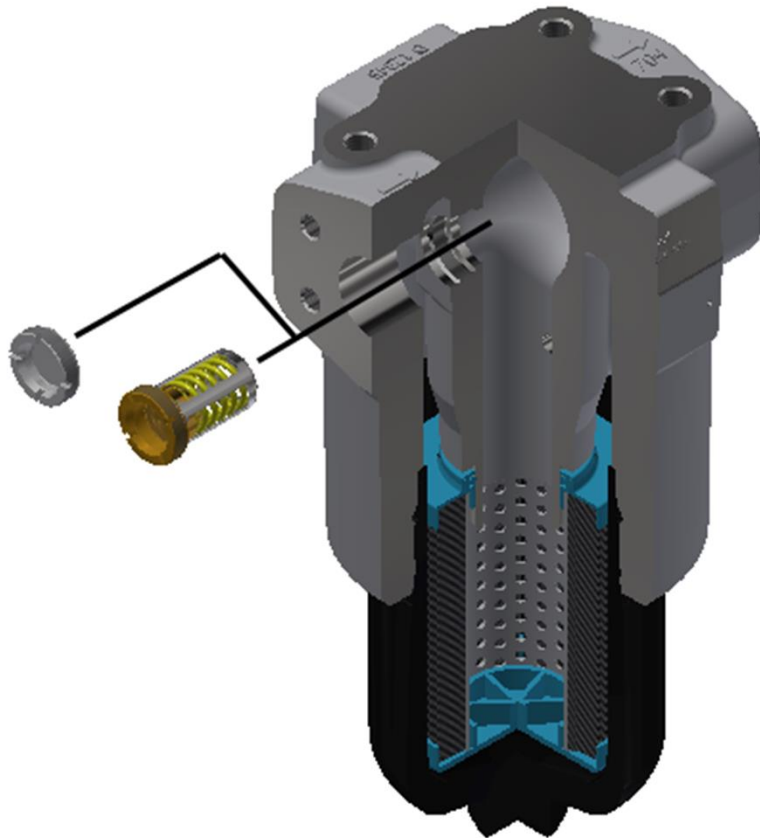


FHP350



COMPARISON

IN-LINE BYPASS VALVE



- In line bypass valve
Lower pressure drop through the valve

FHP320 250 l/min / 12 bar @ 30 cSt

FHP350 450 l/min / 10 bar @ 90 cSt

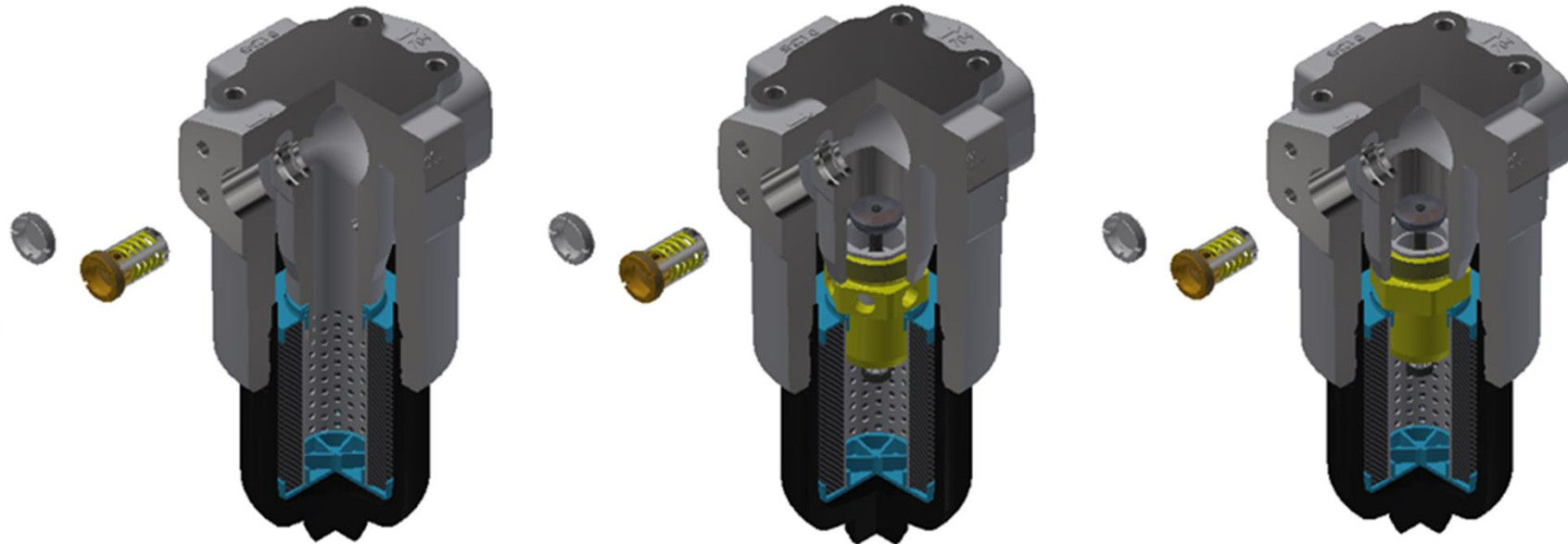
COMPARISON

SAME VALVE OPTIONS WITH LESS HOUSINGS

S / B

V / Z

D / T



RATIONALIZATION

COMPARISON

MERGE OF FLANGES AND THREADS WHILE POSSIBLE



- 1 1/2" SAE 3000 Psi/M + G 1 1/4"
- 1 1/2" SAE 3000 Psi/UNC + 1 1/4" NPT
- 1 1/2" SAE 3000 Psi/UNC + SAE 24

RATIONALIZATION

COMPARISON

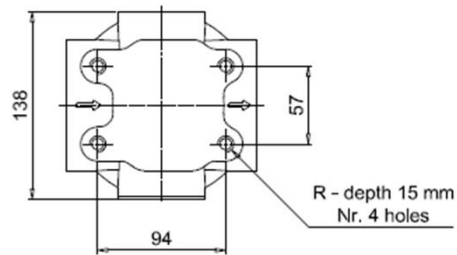
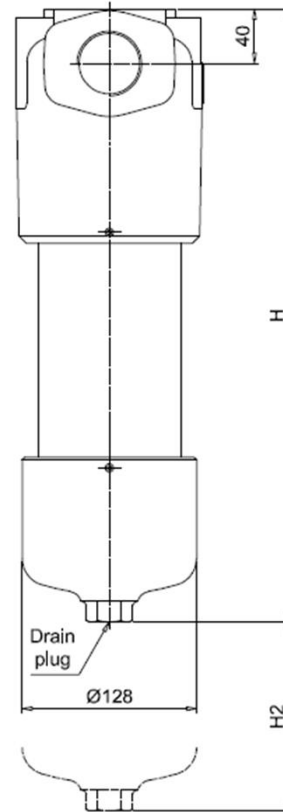
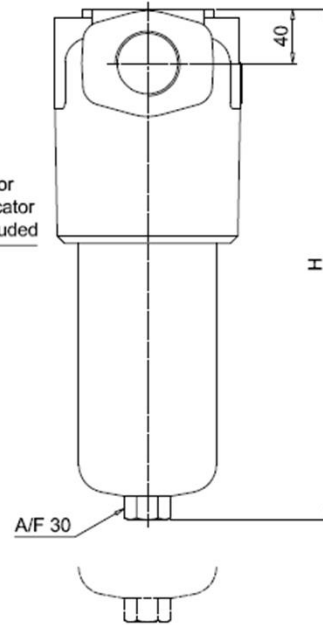
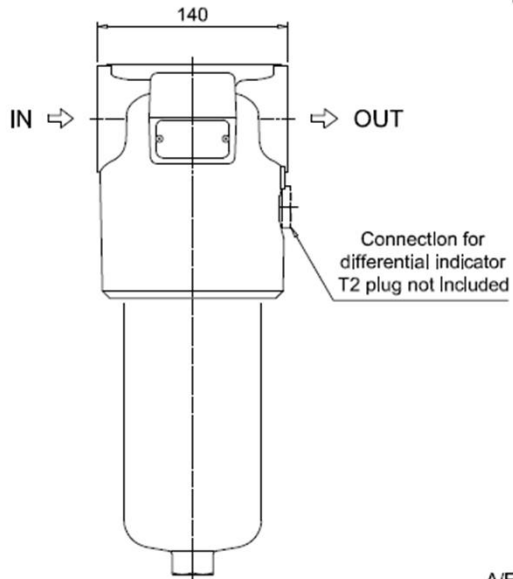
INDICATOR SLIGHTLY MOVED DOWN



FHP350

Length 1-2-3

Length 4



Filter length	H [mm]	H2 [mm]	
		Execution P01	Execution P02
1	295	150	-
2	418		-
3	550		-
4	703		550

Type	R
A	M12
B	1/2" UNC
C	
D	M12
E	1/2" UNC
F	
G	M12
H	1/2" UNC
I	M12
L	1/2" UNC

Connections

A	G 1 1/2"
B	1 1/2" NPT
C	SAE 24 - 1 7/8" - 12 UN
D	1 1/2" SAE 3000 psi/M + G 1 1/4"
E	1 1/2" SAE 3000 psi/UNC + 1 1/4" NPT
F	1 1/2" SAE 3000 psi/UNC + SAE 20 - 1 5/8" - 12 UN
G	1 1/4" SAE 3000 psi/M
H	1 1/4" SAE 3000 psi/UNC
I	1 1/4" SAE 6000 psi/M
L	1 1/4" SAE 6000 psi/UNC

Example: **FHP350 4 B A D 2 A06 N P01**



Filter Series and Size

FHP350

Filter Length

1
2
3
4

Valves

S	Without bypass
B	With bypass 6 bar
T	With check valve, without bypass
D	With check valve, with bypass 6 bar
V	With reverse flow, without bypass
Z	With reverse flow, with bypass 6 bar

Seals

A	NBR
V	FPM

Connections

A	G 1 1/2"
B	1 1/2" NPT
C	SAE 24 - 1 7/8" - 12 UN
D	1 1/2" SAE 3000 psi/M + G 1 1/4"
E	1 1/2" SAE 3000 psi/UNC + 1 1/4" NPT
F	1 1/2" SAE 3000 psi/UNC + SAE 20 - 1 5/8" - 12 UN
G	1 1/4" SAE 3000 psi/M
H	1 1/4" SAE 3000 psi/UNC
I	1 1/4" SAE 6000 psi/M
L	1 1/4" SAE 6000 psi/UNC

Connection for differential indicator

2	With connection
---	-----------------

Filtration rating

A03	Inorganic microfibre 3 µm
A06	Inorganic microfibre 6 µm
A10	Inorganic microfibre 10 µm
A16	Inorganic microfibre 16 µm
A25	Inorganic microfibre 25 µm
M25	Wire mesh 25 µm

Filter Element Δp

	Valves:	S	B	T	D	V	Z
N	20 bar		•				
R	20 bar				•		•
H	210 bar	•					
S	210 bar			•		•	

Execution

	Filter length:	1	2	3	4
P01	MP Filtri standard	•	•	•	•
P02	Maintenance from the bottom of the housing				•
Pxx	Customized				

ORDERING CODE & DESIGNATION

Example: **HP320 4 A06 A S P01**



Filter Element Series and Size

HP320

Filter Element Length

1
2
3
4

Filtration rating

A03	Inorganic microfbre 3 µm
A06	Inorganic microfbre 6 µm
A10	Inorganic microfbre 10 µm
A16	Inorganic microfbre 16 µm
A25	Inorganic microfbre 25 µm
M25	Wire mesh 25 µm

Seals

A	NBR
V	FPM

Filter Element Δp

N	20 bar
R	20 bar
H	210 bar
S	210 bar

Execution

P01	MP Filtri standard
Pxx	Customized

ORDERING CODE & DESIGNATION

Accessories

Indicators

		Page
DEA	Electrical differential Indicator	xx
DEM	Electrical differential Indicator	xx
DLA	Electrical / visual differential Indicator	xx
DLE	Electrical / visual differential Indicator	xx
DTA	Electronic differential indicator	xx
DVA	Visual differential indicator	xx
DVM	Visual differential Indicator	xx

Additional features

		Page
T2	Plug	xx