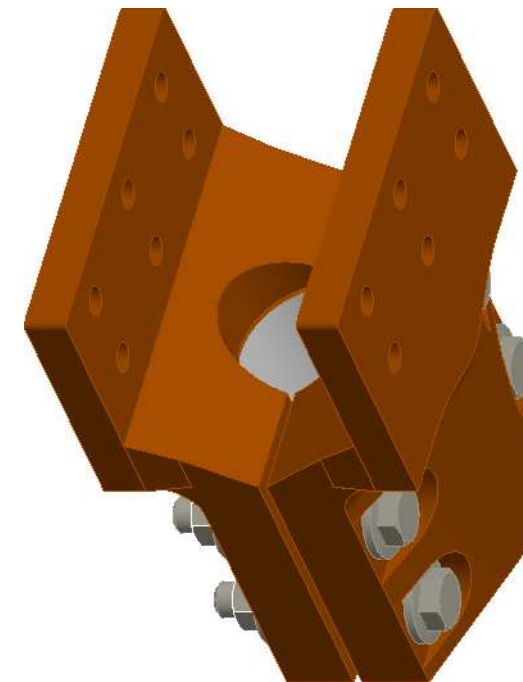
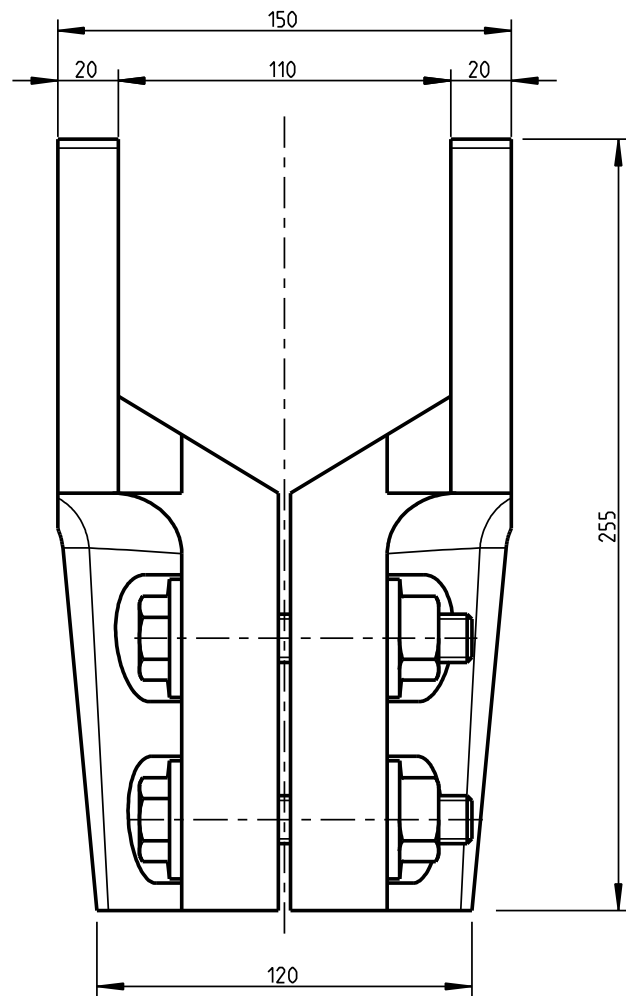
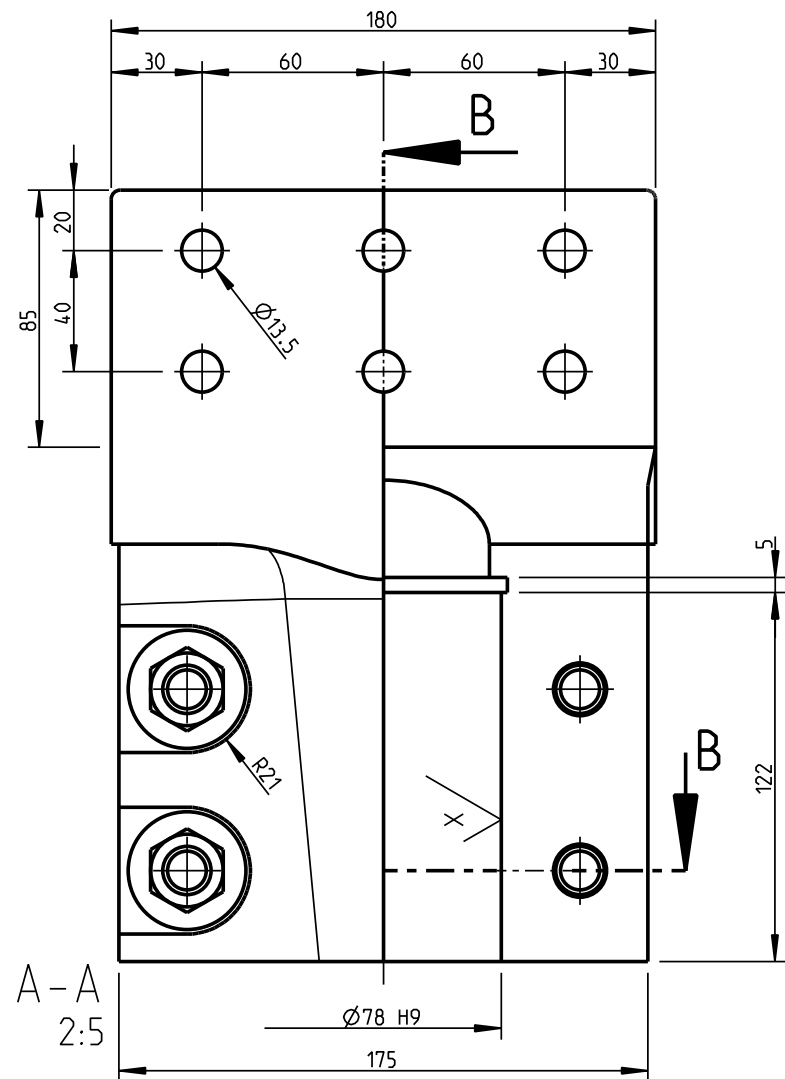
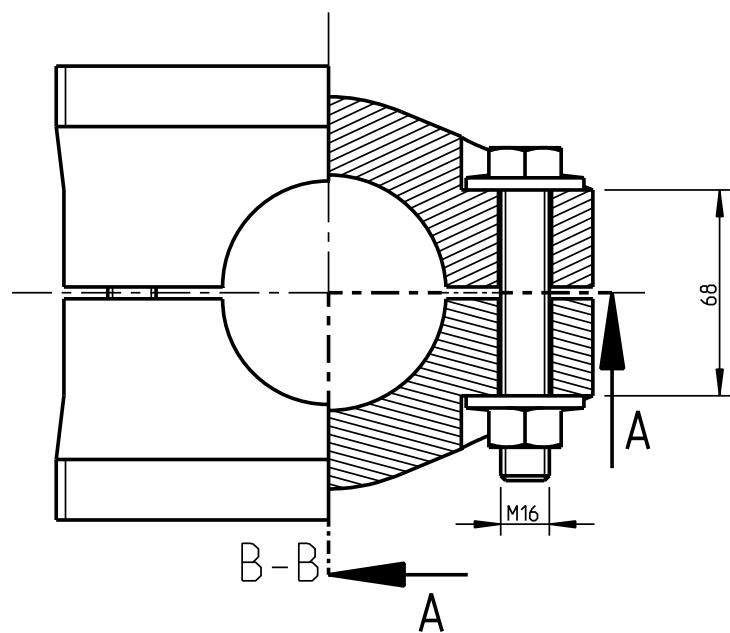


The contents of this document are the property of Preis & Co Ges.m.b.H. and any unauthorized copying, disclosure or distribution of this document to third party is strictly forbidden.

Preis & Co Ges.m.b.H.  
Joos-Witsch-Strasse 5  
A-2761 Permtitz, AUSTRIA  
www.preisgroup.com



$\sqrt{x}$  = silver plated 10  $\mu\text{m}$   
 $\sqrt{\quad}$  =  $\sqrt{\text{Rz6,3}}$



1	2	3	4	5
cons. No.	Qty.	Description	Art.No.	Material
1	8	Conical spring wahser	24088	X5CrNi18-10
2	2	Connecting flag	32085	G-CuCr-F35
3	4	Hexagon nut	28038	X5CrNi18-10
4	4	Hexagon screw	27362	X5CrNi18-10

Filename of model SET TP78-180 A2		File type ASSEM	Filename of drawing SET TP78-180 A2	
Tolerances DIN ISO 2768-ml		Scale 1:5		Weight 26.053 kg
		Material -		Articel number 32086
		Description		<b>Connecting flag TP78-180</b>
	Date	Name		
	23.10.2014	Hauser		Drawing number ASS008000DITPCU01
	24.10.2014	Tergatschnig		
	DIN 43675			Sheet 1 1 BL.
<b>PREIS &amp;CO</b>				
State	Modification	Date	Name (Origin)	(Ers. f.:) (Ers. d.:)