

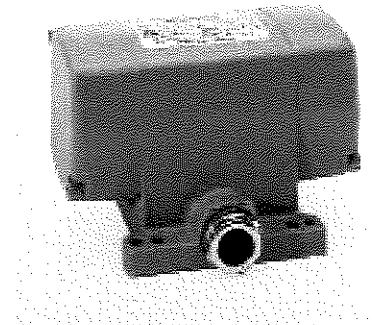
Threephase Vibration Motor

The sturdy housing is manufactured from aluminium chill casting. The amply dimensioned bearings 629 ZZ C3 are lubricated for life. The centrifugal force can be changed stepwise by taking off the eccentric weights. The vibrator can be run continuously with all the eccentric weights mounted, under consideration of the admissible power consumption.

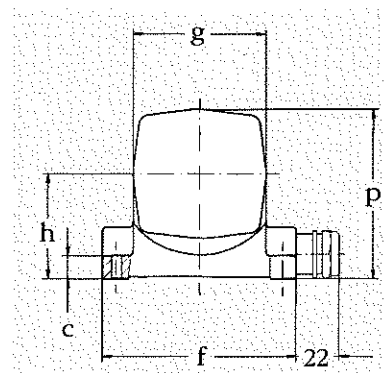
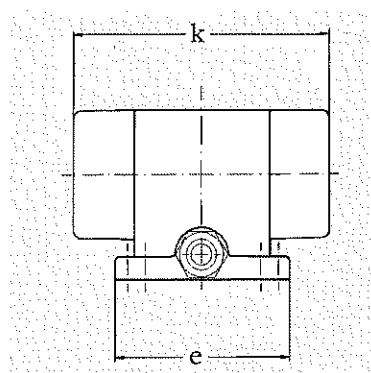
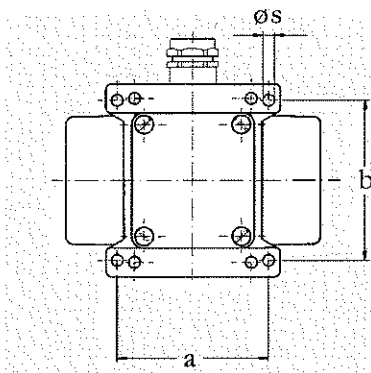
Standard voltage 400vs. · 50 cps. or 230vs. · 50 cps. Other voltages are available.

The motor has no commutable poles. For operation with a 230vs.-A.C. power supply source an operating capacitor of 2µF can be delivered.

Type of protection IP 65 · Insulant class F



Line	Model	Synchron. speed min ⁻¹	Centrif. force daN	Working moment cm kg	Changing of the centrifugal force		Standard voltage 50 cps. V	Nominal current A	Power input W
					inf. vari.	stepwise			
1	HV 0,4/2	3000	20	0,4	-	4 ▲	3 ~ 400	0,1	50



Model	Bores for fastening ¹ mm			Base measurements mm			Outside measurements mm				Mass kg
	a	b	ø _s	c	e	f	h	g	p	k	
HV 0,4/2	$\left(\begin{array}{ccc} 60 & 85 & 6 \\ 78 & 83 & 6 \end{array} \right)$			12	90	100	54,5	67	88	132	1,9

¹ All mentioned fastening holes are provided in the unit.

