



TUB

In-line fans with removable bodies and small size for high temperatures (250°C) designed to work interleaved in chimney ducts



- Fan:
- Steel sheet casing
 - Impeller with blades made from galvanised sheet steel
 - Closing which makes it possible to extract the body easily and quickly
 - External terminal board

- Motor:
- Motor with Long Life ball bearings, IPX4 protection
 - Single-phase 220-240V. 50Hz
 - Working temperature: -10°C +250°C

- Finish:
- Anticorrosive in heat-resistant paint

Order code



TUB: In-line fans with removable bodies and small size for high temperatures (250°C)

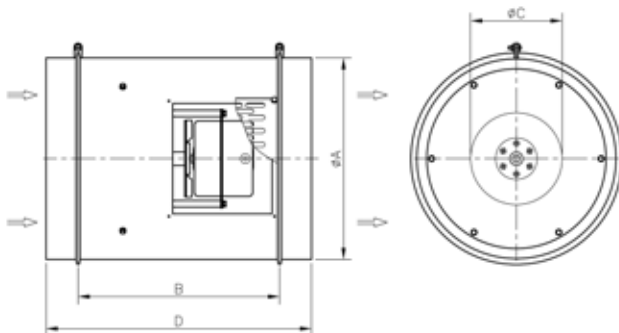
Inlet diameter in mm

Technical characteristics

| Model | Speed (r/min) | Maximum admissible current 220-240V (A) | Absorbed power (W) | Maximum airflow (m³/h) | Irradiated sound level (*) dB(A) | Approx. weight (Kg) |
|---------|------------------|---|-----------------------|---------------------------|-------------------------------------|------------------------|
| TUB-200 | 2780 | 0.30 | 68 | 250 | 39 | 7 |
| TUB-225 | 2765 | 0.32 | 75 | 330 | 41 | 8 |
| TUB-250 | 2760 | 0.35 | 80 | 400 | 43 | 9 |
| TUB-315 | 2600 | 0.85 | 180 | 830 | 48 | 13 |

(*) The radiated sound pressure levels are free field measurements at 3 metres with rigid tubes during inlet and outlet.

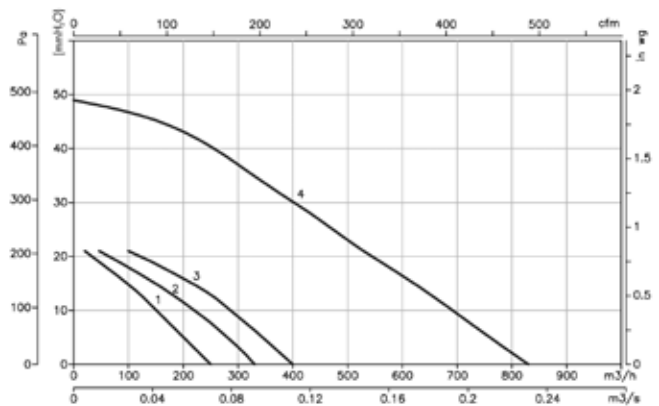
Dimensions in mm



| Model | øA | B | øC | D |
|---------|-----|-----|-------|-----|
| TUB-200 | 200 | 255 | 116.5 | 355 |
| TUB-225 | 225 | 255 | 116.5 | 355 |
| TUB-250 | 250 | 255 | 116.5 | 355 |
| TUB-315 | 315 | 315 | 142.5 | 415 |

Characteristic Curves

Q = Airflow in m³/h, m³/s and cfm.
Pe = Static pressure in mm.w.c., Pa and inwg.



- 1: TUB-200
- 2: TUB-225
- 3: TUB-250
- 4: TUB-315

Accessories

See accessories section.



STUB