

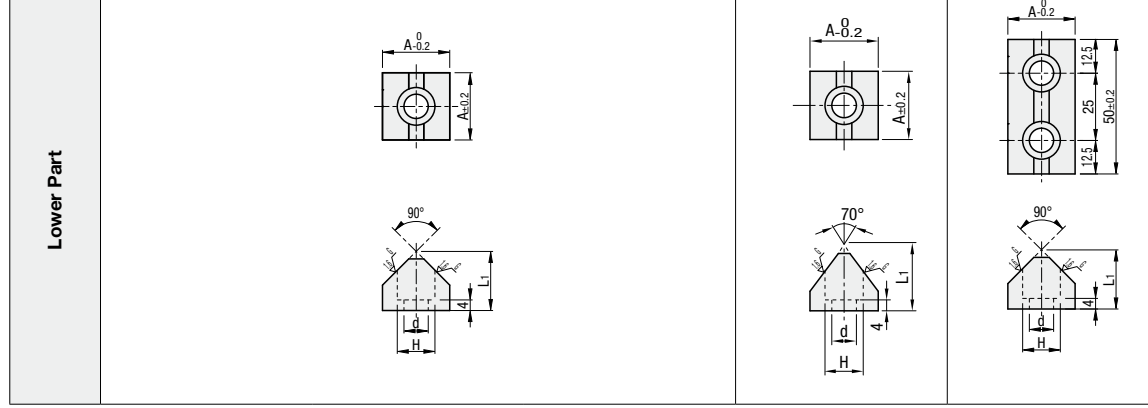
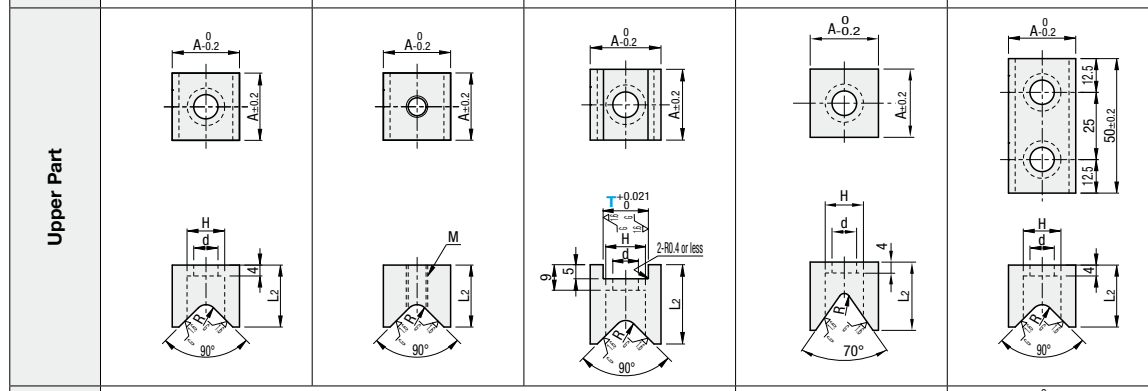
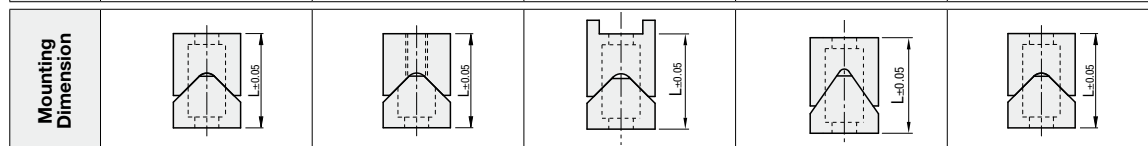
V-Shaped Locating Block Sets

Flat Bottom Type

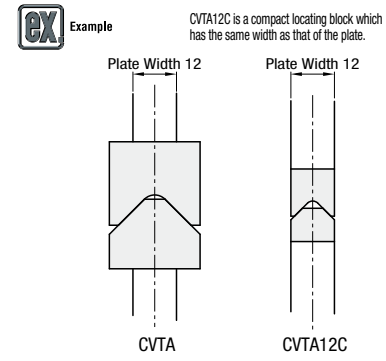
■Features: The V Groove 70° Type has wider contacting surface compared to that of the 90° Type, suitable for misalignment prone rotating fixtures.



Type	Standard CVTA, CVTA12C CVTA16C, CVTAS CVTACS	Tapped Hole CVTAT CVTAST	Upper Plate Holding CVTAB CVTABS	V Groove 70° CVTAK	Long CVTAL
------	---	--------------------------------	--	-----------------------	---------------



Type	Part Number	T	L	L1	L2	A	H	d	R	M (Coarse)	Unit Price	Volume Discount Rate
											1 - 19 set(s)	20 -
Standard	CVTA	-	35	22	23	25	14	9	4	-	-	-
	CVTA12C	-	20	12	13	12	8	4.5	2	-	-	-
	CVTA16C	-	25	-	16	16	-	-	2	-	-	-
	CVTAS	-	19	16	19	25	11	7	4	-	-	-
	CVTACS	-	25	17	20	-	-	-	2	-	-	-
Tapped Hole Type	CVTAT	-	35	22	23	25	14	9	4	M8	-	-
	CVTAST	-	25	16	19	25	11	7	4	M6	-	-
Upper Plate Holding Type	CVTAB	-	35	20	26	20	9.5	5.5	2	-	-	-
	CVTAB	12	35	22	28	25	14	9	4	-	-	-
	CVTAB	16	35	22	28	25	14	9	4	-	-	-
V Groove 70° Type	CVTAK	-	35	25	25	25	14	9	2	-	-	-
	CVTAK	12	35	25	25	25	14	9	2	-	-	-
	CVTAK	16	35	25	25	25	14	9	2	-	-	-



Ordering Example
Part Number
CVTA
CVTA12C

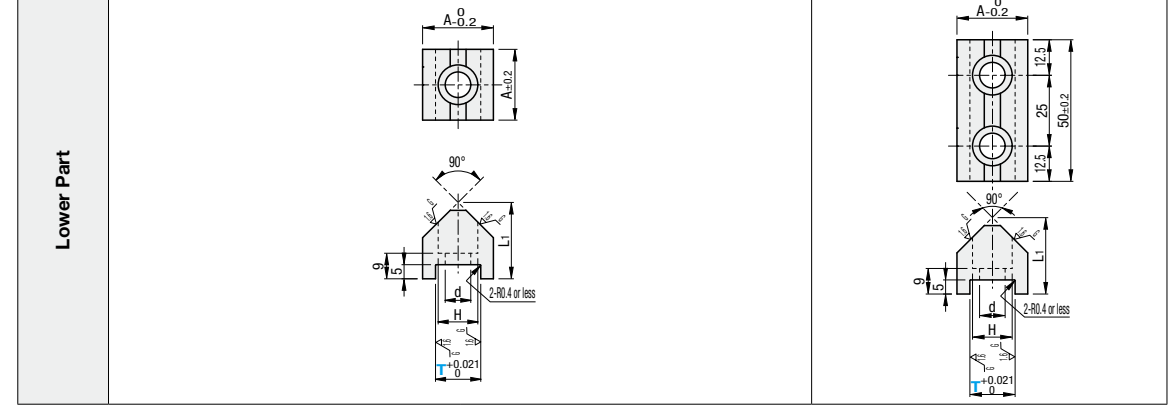
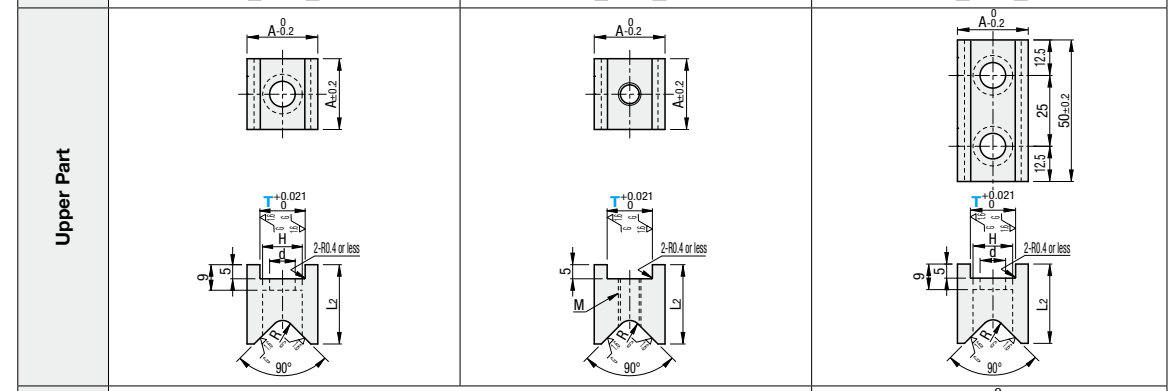
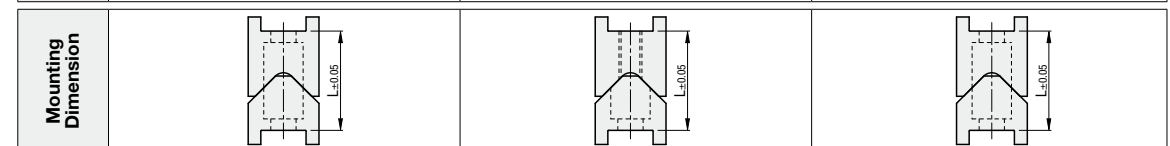
V-Shaped Locating Block Sets

Plate Holding Type

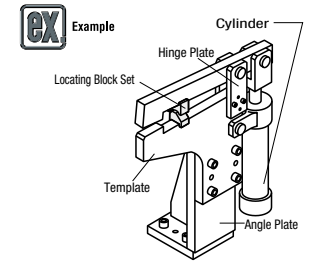
■Features: Plate holders on upper/lower sides enable easy mounting on thin flat bars.



Type	Standard CVTB CVTBS	Tapped Hole CVTBST	Long CVTBL
------	---------------------------	-----------------------	---------------



Type	Part Number	T	L	L1	L2	A	H	d	R	M (Coarse)	Unit Price	Volume Discount Rate
											1 - 19 set(s)	20 -
Standard	CVTB	-	35	25	26	20	9.5	5.5	2	-	-	-
	CVTB	12	35	27	28	25	14	9	4	-	-	-
	CVTB	16	35	27	28	25	14	9	4	-	-	-
Tapped Hole Type	CVTBST	-	25	21	24	25	11	7	4	M6	-	-
	CVTBST	12	25	21	24	25	11	7	4	M6	-	-
Long Type	CVTBL	-	35	25	26	20	9.5	5.5	2	-	-	-
	CVTBL	12	35	25	26	20	9.5	5.5	2	-	-	-
	CVTBL	16	35	27	28	25	14	9	4	-	-	-



Ordering Example
Part Number
CVTB16