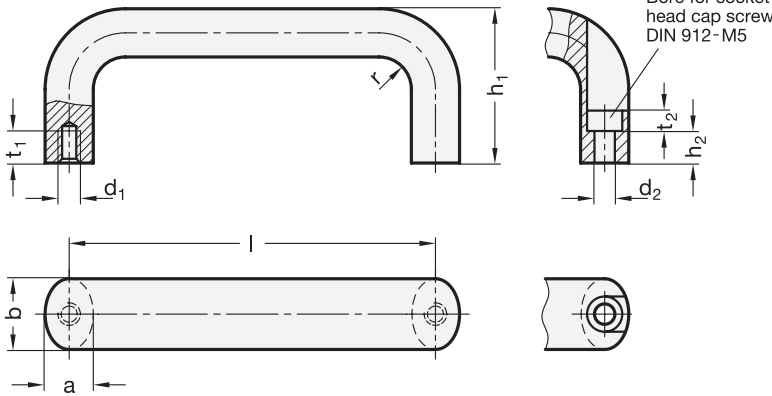


Range extended!



ROSTFREI
Inox
Stainless
Steel

3 Type

- A Mounting from the back (threaded blind bore)
- B Mounting from the operator's side

1 2

b	Length l ±0,25			a	d ₁	d ₂	h ₁	h ₂	r	t ₁ min.	t ₂
	Type A shot-blasted GS	Type A slip polished GP	Type B shot-blasted GS								
20	112	112	112	13	M 6	5,4	49	13,5	13	10	5,5
20	128	128	128	13	M 6	5,4	51	13,5	13	10	5,5
20	160	160	160	13	M 6	5,4	51	13,5	13	10	5,5
20	200	200	-	13	M 6	-	51	-	13	10	-
20	250	-	-	13	M 6	-	51	-	13	10	-
20	300	-	-	13	M 6	-	51	-	13	10	-
20	350	-	-	13	M 6	-	51	-	13	10	-
20	400	-	-	13	M 6	-	51	-	13	10	-

Specification

- Stainless Steel
 - Type A: AISI 304
 - Type B: Fine die casting, AISI CF-8
- matt shot-blasted **GS**
- slip polished, shiny metallic **GP** (only type A)
- [Stainless Steel characteristics](#) → Page 334
- [Load rating information](#) → Page 343
- [RoHS compliant](#)

4

Information

The special features of Stainless Steel-Cabinet „U“ handles GN 565.5 are their rigidity and ergonomic shaping.

Stainless Steel-Cabinet „U“ handles (Type A) are produced from profiled aluminum extrusions. The manufacturing process (bending) allows the production of **special lengths** in relatively small quantities.

see also...

- [Cabinet „U“ handles GN 565 \(Aluminium\)](#) → Page 30
- [Cabinet „U“ handles GN 725 \(Plastic\)](#) → Main Catalogue Page 68
- [Cabinet „U“ handles GN 625 \(Plastic\)](#) → Main Catalogue Page 66

How to order	1	b
	2	Length l
	3	Type
	4	Finish

1
2
3
4

GN 565.5-20-112-A-GS