

G004503

Base Adapter **SPB-ADAPT**

Part no. 046916

System: All Salwico Fire Alarm Systems

General Description

SPB-ADAPT is an adapter for the bases 2IP55 (part no. 046950) and NS-2IP55 (part no. 046900).

SPB-ADAPT is developed to replace the adapters SPB-1 (part no. 046915) and NS-ADAPT (part no. NI421).

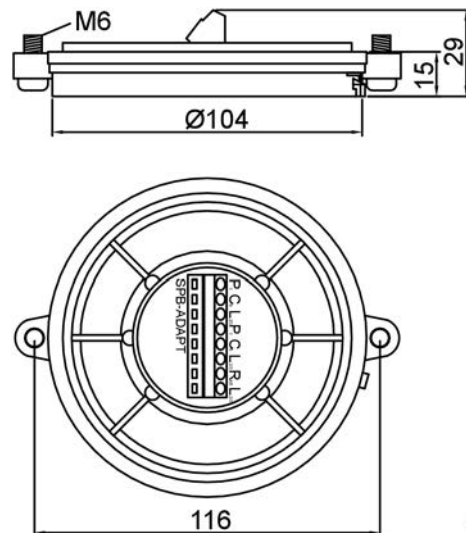
Smoke, heat and flame detectors can be connected to this adapter. For more information about suitable bases, see separate document "Base matrix".

The adapter can be used for all Salwico fire alarm systems.

Data

Cable terminals	2.5 mm ²
Ingress protection	IP55 (mounted on a base)
Material	PC/ABS
Colour	White
Weight	~110 g

Dimensions (mm)



G004504

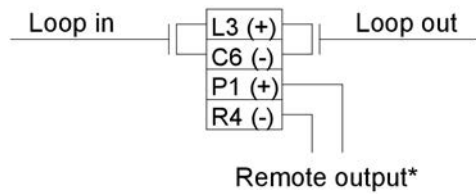
Important Mounting Instructions

The mounting screws shall be fitted with the following torque:

Min.	1.3 Nm
Recommended	1.7 Nm
Max.	2.0 Nm

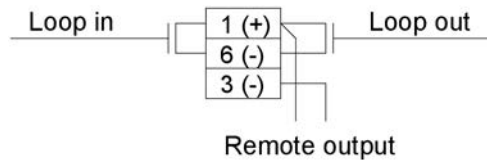
Connection

Connection of addressable detectors IA, OA, TDT and EV-PP series:



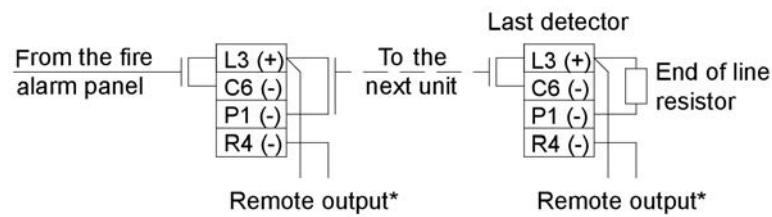
G003132

Connection of addressable detectors NS, CN and EV-series** (EV-PP excluded):



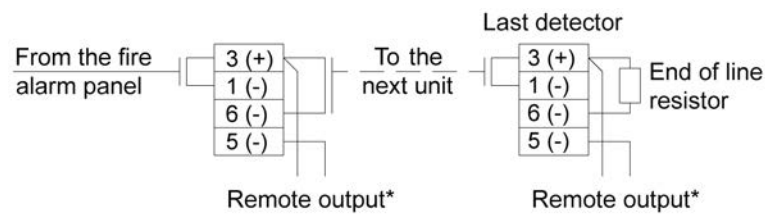
G003133

Connection of conventional detectors DIS3, DOS3, HCI00, NS-DIR and NS-DUV:



G003134

Connection of conventional flame detectors EVC-IR (not NS-DIR or NS-DUV):



G003135

* All types of detectors do not have the remote output. Please refer to the data sheet for the detector in question.

** For loop units with short circuit isolators, see connection on data sheet for that unit.