

## Product Data Sheet

SD 0105-2E02

July 2008

Damcos® BRC 1000

# Hydraulic double-acting balanced rotary actuator 90° quarter-turn



## Technical specification

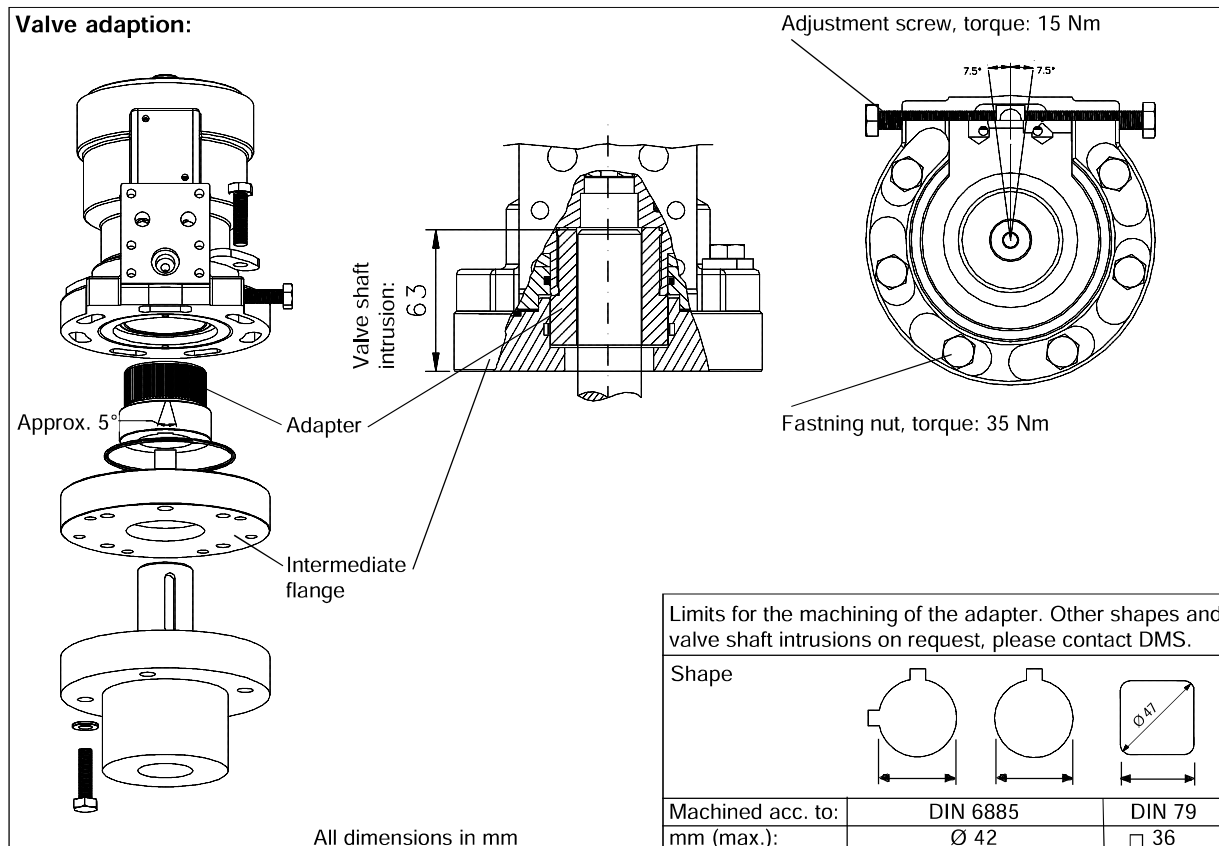
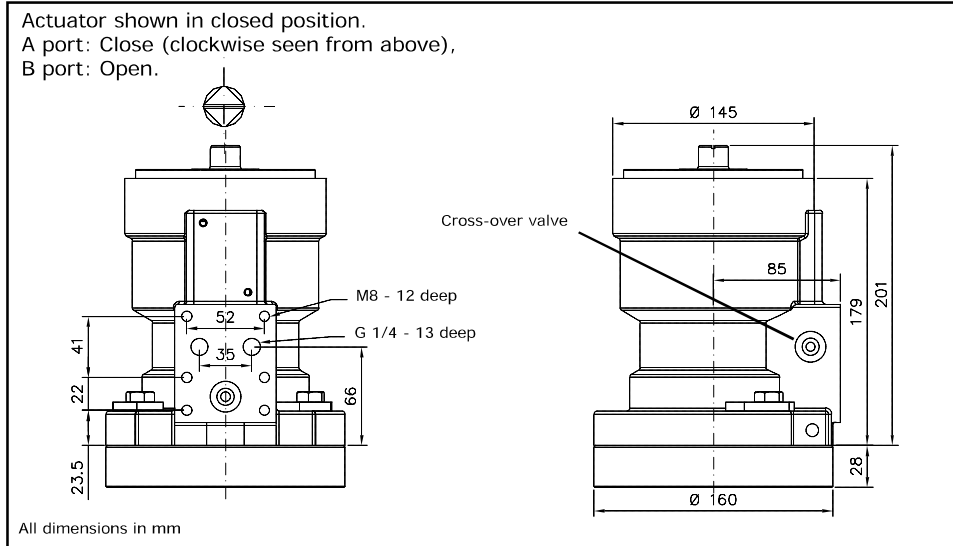
Working pressure:	135 bar
Burst test:	675 bar
Total dry weight incl. mounting set (5.5 kg):	19.9 kg
Oil displacement:	0.209 l
Temperature range:	-20°C to +80°C
Rotation:	90°±1°
Hydraulic media and viscosities:	We recommend acid-free hydraulic oil. Viscosity range: 15-200 cSt. For recommended brands and for other media than oil please refer to separate data sheet.

**DAMCOS®**

  
**EMERSON™**  
Process Management

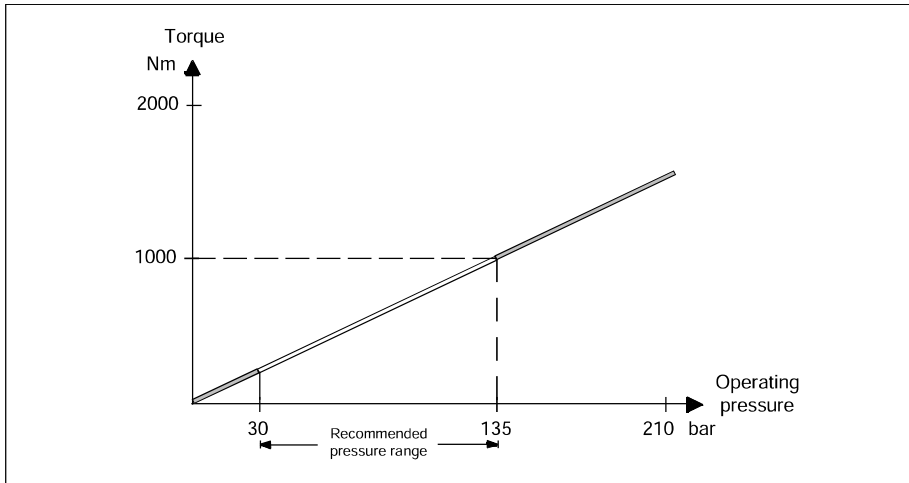
# Damcos® BRC 1000

## Main dimensions



## Damcos® BRC 1000

## Performance



The Emerson logo is a trademark and service mark of Emerson Electric Co. Damcos and the Damcos logotype are registered trademarks of Damcos A/S. All rights reserved. The contents of this publication are presented for information purposes only, and while effort has been made to ensure their accuracy, they are not to be construed as warranties or guarantees, expressed or implied, regarding the products or services described herein or their use or applicability. All sales are governed by our terms and conditions, which are available upon request. We reserve the right to modify or improve the designs and specifications of our products at any time without notice. Damcos A/S accepts no responsibility for any errors that may appear in this publication.

This product is developed and managed by:  
**Emerson Process Management**

Damcos A/S  
Aaderupvej 41  
DK-4700 Naestved  
T +45 5578 7200  
F +45 5578 7272

For global contacts:  
[www.EmersonProcess.com/marine](http://www.EmersonProcess.com/marine)

<b>PARTS-, SPARE &amp; MATERIAL LIST</b>				<b>Emerson Process Management Marine Solutions</b>	
Component: type & version <b>ACTUATOR BRC 1000 B1</b>				Damcos A/S	
Material no.: <b>160N1100UP</b>				Aaderupvej 41 DK-4700 Naestved Denmark	
Alt.: 1				T + 45 5578 7200 F + 45 5578 7272	
Notes: All items with stated material number can be purchased as spare parts. When ordering spare parts: please state material number.				Page 1 of 3	
Document numbers referred to: 160N9048					
Posnr	Material	Description/ Compound	CTM No.	Quantity	Unit
0001		HOUSING BRC 1000 GGG40 (W.no.0.7040)	A05	1,000	PC
0002		PISTON BRC 1000 GGG40 (W.no.0.7040)	A10	1,000	PC
0003	160N0601	TOP PART BRC 1000 GGG40 (W.no.0.7040)	A10	1,000	PC
0004	160N0787	POS.SHAFT BRC 1000 B1 X5CrNiMo17 12 2 (W.no.1.4401)	F20	1,000	PC
0005	160N0788	Splined shaft BRC 1000 B1 OVAKO 520M	B54	1,000	PC
0006	160N0605	Bottom cover BRC 1000 GGG40 (W.no.0.7040)	A10	1,000	PC
0007	160N0843	TOP PART BRC 1000-2000-4000-8000-16000 X5CrNiMo17 13 3 (W.no.1.4436)		1,000	PC
0009		X-RING Ø21,82X3,53 PD 85	PD	3,000	PC
0010		X-RING Ø71,12*2.62 NBR 80	NBR	1,000	PC
0011		X-RING Ø82,14*3.53 NBR 80	NBR	1,000	PC
0012		X-RING Ø91,67*3.53 NBR 90	NBR	2,000	PC
0013		O-RING Ø22,3X2,4 NBR 70	NBR	1,000	PC
0014		O-RING Ø21,82*3,53 NBR 70	NBR	1,000	PC

PARTS-, SPARE & MATERIAL LIST				Emerson Process Management Marine Solutions Damcos A/S	
Component: type & version <b>ACTUATOR BRC 1000 B1</b>				Aaderupvej 41 DK-4700 Naestved Denmark	
Material no.: <b>160N1100UP</b>				T + 45 5578 7200 F + 45 5578 7272	
Alt.: 1				Page 2 of 3	
Refnr	Material	Description/ Compound	CTM No.	Quantity	Unmsr
0015		O-RING Ø114,02*1.78 NBR 70	NBR	1,000	PC
0016		O-RING Ø94,92*2,62 NBR 70	NBR	1,000	PC
0017	251-1531	SCREW M4X16		3,000	PC
0018	267-0014	SNAP RING EXTERNAL Ø17		1,000	PC
0019	390-0014	THRUST CAGE Ø70 USt.13 (W.no.1.0333)	POL	1,000	PC
0020	390-0114	THRUST WASHER Ø70 100Cr6 (W.no.1.3505)	ROL	2,000	PC
0021		SEALING PLUG Ø6/5.3X6.5		1,000	PC
0023	160G2280	STOP VALVE Ø4		1,000	PC
0024		NAME PLATE FOR BRC 1000 B1 160N1100	F90	1,000	PC
0025		RIVET Ø1,9X5	5/A4	2,000	PC
0026	160N1049	VALVE SEAT NBR 70	NBR	1,000	PC
0027	160G5044	PLUG 3/8 INCH WG CuZn39Pb3 (W.no.2.0401)	L05	1,000	PC
0028	160B4503	YOKE F. DPI BRC 1000 - 2000 L=27,75 POM-C	P01	1,000	PC
	160N1082	PAINT PLUG 1/4 INCH F.BRC		2,000	PC
SPARE	----->	160N1262, SET OF SEAL FOR BRC 1000 POS.9,10,11,12,13,14,15,16,26,35.		1,000	PC
SPARE	----->	160N1020, COMMON PART BRC 1000 POS.32,33,34,35,36,37,38.		1,000	PC
SPARE	----->	160N1036 MOUNTING SET BRC/F 1000			

<b>PARTS-, SPARE &amp; MATERIAL LIST</b>		<b>Emerson Process Management Marine Solutions</b>
Component: type & version <b>ACTUATOR BRC 1000 B1</b>	Material no.: <b>160N1100UP</b>	Damcos A/S  Aaderupvej 41 DK-4700 Naestved Denmark T + 45 5578 7200 F + 45 5578 7272
Alt.: 1		

Refnr	Material	Description/ Compound	CTM No.	Quantity	Unmsr
		POS.39,40.		1,000	PC

